

Flow Switch for Liquids



measuring
•
monitoring
•
analyzing

SMN



- Low Switch Point
- Low Pressure Drop at High Flows
- Adjustable Reed Contact
- Brass or SS Construction
- Maximum Temperature: 212 °F
- Maximum Pressure: 5000 PSIG



Order from: **C A Briggs Company**

622 Mary Street; Suite 101; Warminster, PA 18974

Phone: 267-673-8117 - Fax: 267-673-8118

Sales@cabriggs.com - www.cabriggs.com

KOBOLD Instruments, Inc.
1801 Parkway View Drive
Pittsburgh, PA 15205



Description

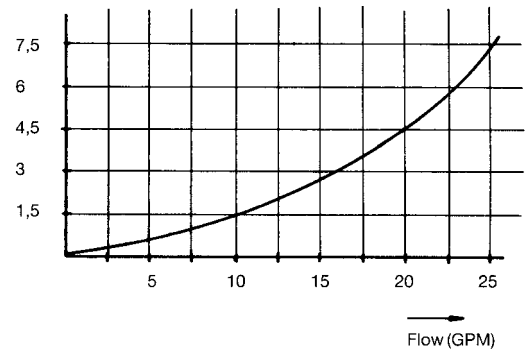
KOBOLD SMN flow switches are used when very low flow switching points are required along with minimal pressure loss at high flow rates. Typical applications include the control of water and cooling circuits, high pressure cleaning devices, control of contaminated media in effluent and heating systems and many other flow control systems. Using all-metal wetted parts, the SMN functions using the float principle. However, it does not use the standard conical metering tube or slotted measuring nozzle. Instead, a float with an integral magnet is suspended within a cylindrical measuring tube. The float is moved by the flow against a compression spring mounted within the instrument. The magnetic field activates an adjustable reed contact mounted on the switch body at the desired switch point. This design ensures that only a very nominal flow rate is required to raise the float sufficiently and activate the contact. When the float reaches the top of its travel, a wide flow path opens, allowing high flow rates without a significant increase in pressure loss typically experienced in other flow switch designs. When the flow is interrupted, the spring returns the float to its original position and the contact changes state.



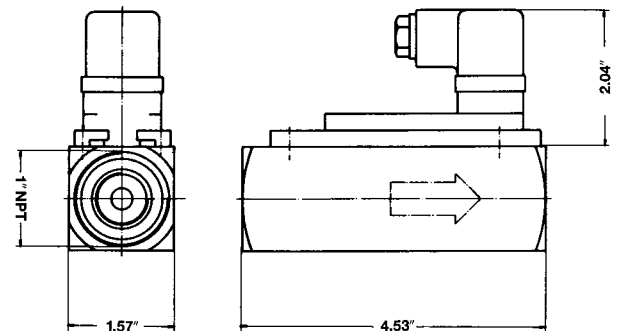
Specifications

- Switching Range:** On: 0.4...13 GPM Water
Off: 0.25...1 GPM Water
- Flow Media:** Water or Water-like,
Low Viscosity Liquids
- Mounting:** Vertical, Upward or
Horizontal Media Flow
- Max. Temperature:** 212 °F
- Maximum Pressure**
 - Brass:** 3600 PSIG
 - SS:** 5000 PSIG
- Housing Material:** Brass or SS
- Fittings:** 1" FNPT
- Electr. Switch Housing:** Plastic
- Electrical Protection:** NEMA 4X / IP65
- Reed Contact:** Standard: N/O, Optional: SPDT
Max. 230 VDC/0.26 A/60 W
60 VDC/1 A/60 W
Max. 240 VAC/0.42 A/100 W
100 VAC/1 A/100 W
cCSAus Approved
- Electrical Connection:** Standard: DIN 43 650 w/Cable Gland
Optional: DIN 43 650 w/1/2" NPT Conduit

Pressure Drop



Dimensions



Order Details (Example: **SMN-5150 U**)

Material	Model
Brass	SMN-5150
SS	SMN-5250
Options: (Add Suffix to Order Number)	
Suffix "..C" = 1/2" NPT Conduit Fitting	
Suffix "..U" = SPDT Contact	