

## Pressure Transmitter with Ceramic Sensing Element



measuring  
•  
monitoring  
•  
analyzing

SEN-86/87



- Measuring Ranges: -30" Hg...0 to 0...10000 PSIG
- Max. Media Temperature: 250 °F
- DIN Accuracy Class: 0.5
- Materials: Stainless Steel, Ceramic, and NBR
- Connection Options: 1/4" NPT or 1/2" NPT
- OEM Targeted Product
- Shown with Optional Loop-Powered In-line Display Model AUF



Order from: **C A Briggs Company**

622 Mary Street; Suite 101; Warminster, PA 18974

Phone: 267-673-8117 - Fax: 267-673-8118

[Sales@cabriggs.com](mailto:Sales@cabriggs.com) - [www.cabriggs.com](http://www.cabriggs.com)

KOBOLD Instruments, Inc.  
1801 Parkway View Drive  
Pittsburgh, PA 15205



## Pressure Sensor with Ceramic Sensor Element Model SEN-86/87

### Description

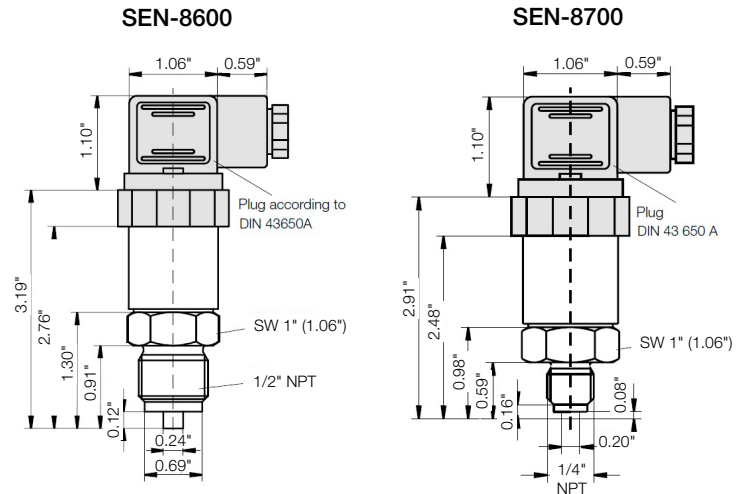
The KOBOLD SEN-86/87 series pressure transmitters are cost-effective and contain a rugged ceramic sensing element. The SEN-86/87 series offers good accuracy, a compact reliable design and is well suited for OEM applications. The wetted materials are compatible with many different medias and the sensing technology can handle a variety of mechanical loads. These are widely used in the following applications: plant engineering, environmental engineering, machine building, and cooling circuits.

### Technical Data

<b>Technology:</b>	Internal Diaphragm
<b>Pressure Type:</b>	Gauge Pressure
<b>Housing:</b>	303 Stainless Steel
<b>Connection:</b>	1/4" or 1/2" NPT, 304 Stainless Steel
<b>Sensor Element:</b>	Piezo-resistive Ceramic (Al <sub>2</sub> O <sub>3</sub> )
<b>Measuring Principle:</b>	Thick Film Technology (DMS)
<b>O-Ring:</b>	NBR (Others upon Request)
<b>Max. Temperature:</b>	
<b>Storage:</b>	-22 ... 212 °F
<b>Media:</b>	-4 ... 250 °F
<b>Ambient:</b>	-22 ... 212 °F
<b>Pressure Limitation:</b>	< 870 PSIG: 2 x Range > 870 PSIG: 1.5 x Range
<b>Accuracy Class:</b>	0.5
<b>Repeatability:</b>	≤ ± 0.15 % of FS
<b>Characteristic Deviation:</b>	≤ ± 0.3 % of FS
<b>Stability (Per Year):</b>	≤ ± 0.2 % of FS (Under Reference Conditions)
<b>Electrical Connection:</b>	Plug According to DIN 43 650 A, Plug M12x1, Cable Connection

<b>Auxiliary Power:</b>	15 ... 32 V <sub>DC</sub>
<b>Output:</b>	4 - 20 mA (2-wire), 0 - 10 V <sub>DC</sub>
<b>Load (Ω):</b>	≤ (U <sub>B</sub> - 15V) / 0.02 A (for 4 - 20 mA)
<b>Response Time:</b>	≤ 1 ms (within 10 - 90 % of f/s)
<b>Compensated Range:</b>	-13 ... 185 °F
<b>Temperature Drift:</b>	Zero Point: ≤ ± 0.02 % FS/K Span: ≤ ± 0.01 % FS/K
<b>Protection:</b>	IP 65

### Dimensions



### Order Details (Example: SEN-8600N4 0 P025)

Process Connection	Model Number	Output Signal	Measuring Range
1/2" NPT	SEN-8600N4..	..0.. = 4 - 20 mA, 2-Wire	..H315 = -30...0 in Hg
			..P025 = 0...15 PSIG
			..P045 = 0...30 PSIG
			..P055 = 0...50 PSIG
			..P060 = 0...60 PSIG
			..P065 = 0...100 PSIG
			..P075 = 0...150 PSIG
			..P085 = 0...200 PSIG
			..P090 = 0...300 PSIG
			..P095 = 0...400 PSIG
			..P100 = 0...500 PSIG
			..P105 = 0...600 PSIG
			..P115 = 0...1000 PSIG
			..P125 = 0...1450 PSIG
			..P130 = 0...2000 PSIG
1/4" NPT	SEN-8700N2..	..2.. = 0 - 10 V	..P135 = 0...2300 PSIG
			..P140 = 0...3000 PSIG
			..P145 = 0...3600 PSIG
			..P150 = 0...5000 PSIG
			..P155 = 0...5800 PSIG
			..P160 = 0...7500 PSIG
			..P165 = 0...10000 PSIG

### AUF Display Option



### Order Details

Model	Description
AUF-1000	Standard Plug-on Display, 4 - 20 mA, 2-wire
AUF-1001	Plug-on Display with Open Collector, 4 - 20 mA, 2-wire

See model AUF product datasheet for further technical details