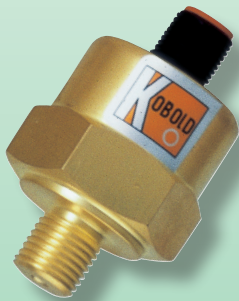


Electronic Pressure Switch



measuring
•
monitoring
•
analyzing

PDL



- Switching Range: 0.1...1 to 60...600 bar
- Max. Temperature: 80 °C
- Connection: 1/4" NPT or G 1/4
- Material: Brass
- Repeatability: $\leq 1\%$ of Full Scale



Order from: **C A Briggs Company**
622 Mary Street; Suite 101; Warminster, PA 18974
Phone: 267-673-8117 - 800-352-6265; Fax: 267-673-8118
Sales@cabriggs.com - www.cabriggs.com

KOBOLD Instruments, Inc.
1801 Parkway View Drive
Pittsburgh, PA 15205



Description

The KOBOLD PDL Series electronic pressure switch is an economical pressure monitor with a switch output that can be easily adjusted on-site by turning an adjustment screw. With the help of a spring-assisted measuring element and the use of a Hall-Effect sensor, the PDL Series electronic pressure switch can provide a maximum of two switching outputs for a given pressure. One or two switching outputs can be delivered as a normally open or normally closed (N/O or N/C) configuration. The compact size, rugged construction and wide adjustable pressure range make it an ideal pressure switch for OEM usage.

Specifications

Housing

PDL-0: Brass
PDL-1: Anodized Aluminum

Upper Housing: Plastic

Process Connection: Brass, 1/4" NPT, G 1/4

Measuring Element

PDL-0: Copper Alloy, Capsule Element
PDL-1: 316L Stainless Steel, Spiral Spring

Maximum Temperature

Storage: -30...80 °C
Media: -20...80 °C
Ambient: -20...80 °C

Temp. Comp. Range: 0...80 °C

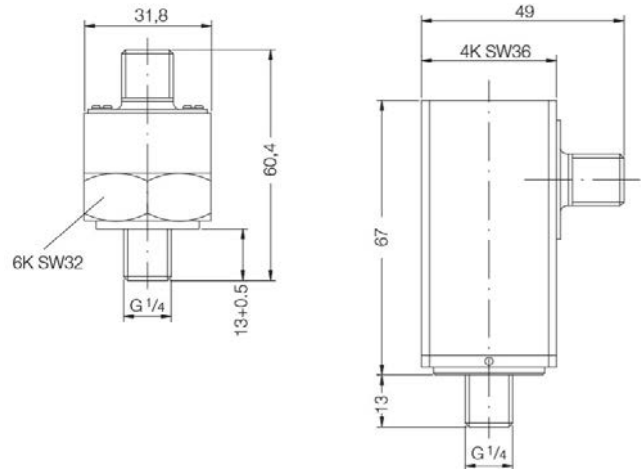
Temperature Influence: 0.4% / 10 K

Overload Limit

≤ 10 bar: 4x Range
 ≥ 16 bar: 2x Range

Load Change: 1 x 10⁶

Dimensions (mm)



Electrical Connection: M12 x 1 Plug (4-pole)
 (Option: 1.5 m Cable)

Switching Function: N/C or N/O, p-switching

Range Adjustment: 10...100% of Full Scale

Switchpoint Adjustment: Via Adjustment Screw

Repeatability: < 1% of Full Scale

Switching Hysteresis: ≤ 5% of Full Scale
 ≤ 10% of Full Scale at 16 and 25 bar

Power Supply: 10...30 VDC

Power Rating: Max. 100 mA (Max. 30 VDC)

Protection: IP 65 (IP 67 with Cable Output)

Order Details (Example: PDL-0131 N2 B025)

Model	Description	Output	Connection	Switching Range (on Increasing Pressure)
PDL-01..	Electronic Pressure Switch Brass Housing M12 x 1 Plug	..31.. = 1 N/O Contact ..32.. = 2 N/O Contacts ..33.. = 1 N/C Contact ..34.. = 2 N/C Contacts ..35.. = 1 N/O & 1 N/C	..N2.. = 1/4" NPT ..R2.. = G 1/4 Male	..C315 = -0.9...-0.05 Bar ..B126 = 0.005...0.1 Bar ..B025 = 0.05...1.0 Bar ..B045 = 0.013...2.5 Bar ..B055 = 0.2...4.0 Bar ..B065 = 0.3...6.0 Bar ..B075 = 0.5...10 Bar ..A095 = 2.5...25 Bar
PDL-11..	Electronic Pressure Switch Aluminum Housing M12 x 1 Plug	..31.. = 1 N/O Contact ..32.. = 2 N/O Contacts ..33.. = 1 N/C Contact ..34.. = 2 N/C Contacts ..35.. = 1 N/O & 1 N/C	..N2.. = 1/4" NPT ..R2.. = G 1/4 Male	..A115 = 3.0...60 Bar ..A125 = 5...100 Bar ..A135 = 8...160 Bar ..A145 = 13...250 Bar ..A155 = 20...400 Bar ..A165 = 30...600 Bar