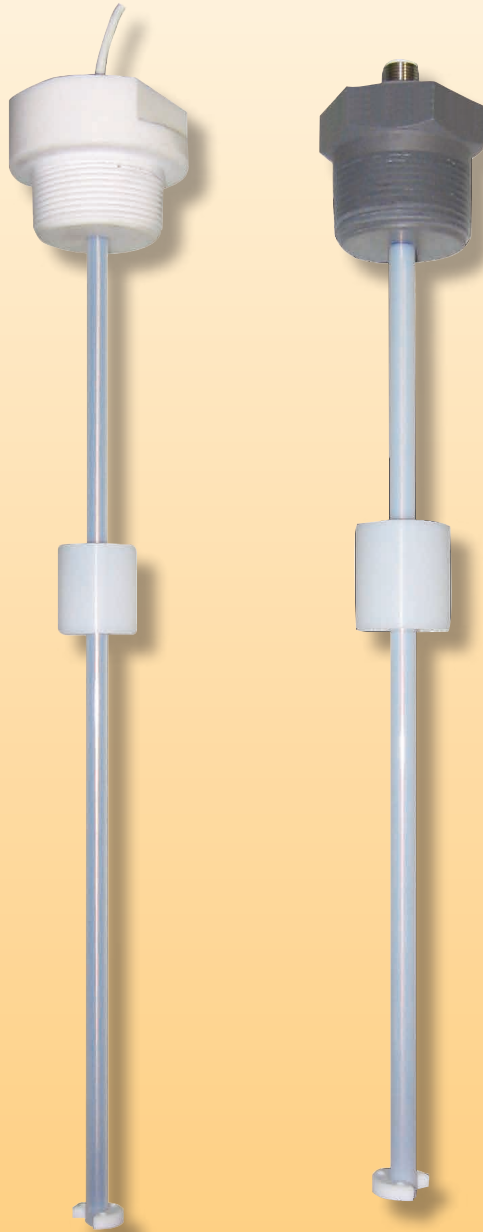


Liquid Level Transducer



measuring
•
monitoring
•
analyzing

NML-308



- All Plastic Wetted Parts
- All PTFE/PFA Parts Available
- Compatible with Aggressive Chemicals
- Continuous Level Measurement
- Analog Output via Remote Mounted Transmitter
- Compact Design
- Insensitive to Vapor and Foam
- Liquid Interface Detection



Order from: **C A Briggs Company**
622 Mary Street; Suite 101; Warminster, PA 18974
Phone: 267-673-8117 - Fax: 267-673-8118
Sales@cabriggs.com - www.cabriggs.com

KOBOLD Instruments, Inc.
1801 Parkway View Drive
Pittsburgh, PA 15205



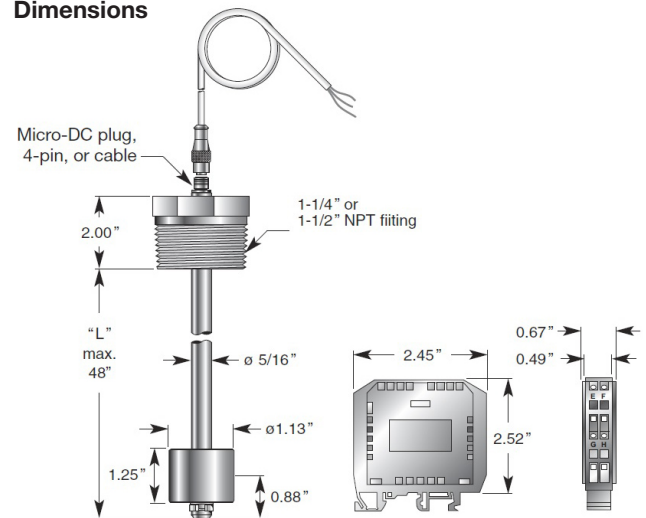
Description

The NML-308 miniature synthetic float level transducers are suitable for level measurement in vessels up to 48" in height. Floats are made from PTFE, tubes are PFA-clad 316 stainless steel, and the fittings are available in polyethylene, polypropylene, PVC or PTFE. The 1-1/4" or 1-1/2" NPT fitting accommodates the diameter of the float and enables easy installation from the top of the vessel, or mounting bracket, without removing the float. Each unit comes standard with a cable or a 4-pin micro-DC plug. Custom cables are available. The transmitted level signal is generated via a DIN rail transmitter mounted remotely.

Specifications

Minimum Length: 6"
Maximum Length: 48"
Resolution: ± 0.25"
Dead Band: 1" bottom, 0.62" top
Wetted Parts
Stem: PFA (Standard) or PTFE-Clad 316 SS
Float: PTFE
Fitting: 1-1/4" or 1-1/2" NPT
Fitting Material: PE, PP, PVC, or PTFE
Minimum S.G: 0.9
Operating Temp.
PVC/PE: -4...140 °F
PP: -4...190 °F
PTFE: -4...250 °F
Max. Pressure: 25 PSIG @ 70 °F
Electrical Connection: Micro-DC Plug, 4-pin or Cable
Protection: NEMA 4X, IP 66

Dimensions



DIN Rail Transmitter

Input Voltage: 12-32 V_{DC} Max.
Output: 4-20 mA, 2-wire
 0-5 V_{DC}, 3-wire
 0-10 V_{DC}, 3-wire
Sensing Voltage: 5 V_{DC} Max.
Sensing Current: 2.5 mA Max.
Adjustments: via Potentiometer
Ambient Temperature: -4...140 °F
Protection: NEMA 1, IP 40
Housing: Polycarbonate
Dimensions: 2.52" x 0.67" x 2.45"

Order Details (Example: **NML-308 PE N7 A 1 PV L=12"**)

Model	Fitting Material	Fitting Size	Output	Stem Cladding	Electrical Connection	Options
NML-308..	..PE.. = Polyethylene	..N7.. = 1-1/4" NPT ..N8.. = 1-1/2" NPT	..A.. = 4-20 mA	..1.. = PFA (Std) ..2.. = PTFE	..MD = Micro-DC Plug, 4-pin	..EC = Extended Cable (Specify Length)
	..PP.. = Polypropylene		..B.. = 0-5 V _{DC}		..PV = PVC Cable, 6 ft	
	..PV.. = PVC		..C.. = 0-10 V _{DC}		..SL = Silicone Cable, 6 ft	
	..PF.. = PTFE				..TF = PTFE-clad Cable, 6 ft ..TA = PTFE-clad with SS Armored Cable, 6 ft	
Additional Information						
Please Specify Desired Probe Length when Ordering as L = XX", ie. L= 12"						
Accessories						
807.037 = Mating 4-pin Micro-DC plug with 6 foot cable						