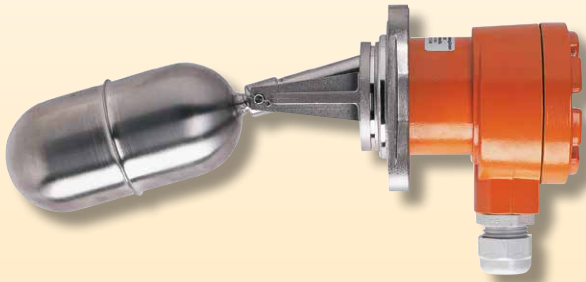


Heavy Duty Level Switch

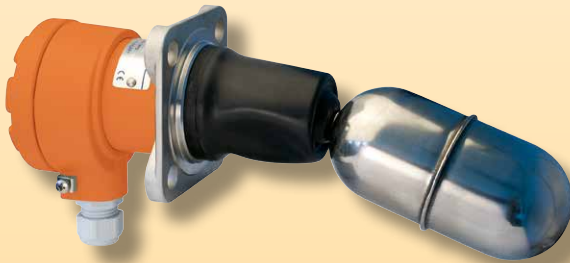


measuring
•
monitoring
•
analyzing

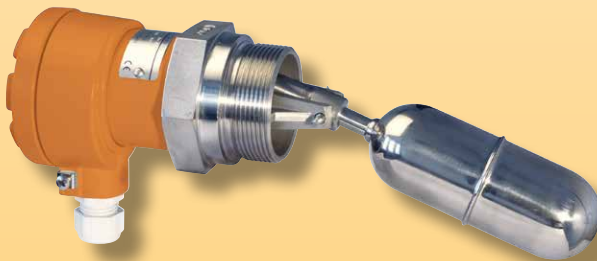
NGS



ATEX 



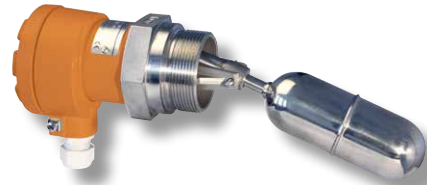
- Max. Temp: 480 °F
- Max. Pressure: 360 PSIG
- High Capacity, 10 A Switch
- 316-Ti SS Wetted Parts
- Ideal for Harsh Environments



Order from: **C A Briggs Company**
622 Mary Street; Suite 101; Warminster, PA 18974
Phone: 267-673-8117 - Fax: 267-673-8118
Sales@cabriggs.com - www.cabriggs.com

Description

The KOBOLD NGS is a rugged level switch built for the harshest of environments. All wetted parts are constructed of 316-Ti stainless steel. The SPDT switch is activated by a permanent magnet external to the switch housing so that no exposure occurs between the process media and the switch internals. This mode of operation results in a very reliable switch which requires no external power to operate. The high-capacity, 10 Amp mechanical switch will directly operate most electrical loads such as relays, solenoid valves and motor starters. Common applications include: minimum or maximum level monitoring of tanks or vessels when only a side mounted installation is possible.



Technical Details

Media Temperature

- NGS-21: -4...480 °F
- NGS-51: 32...212 °F
- NGS-61: 32...390 °F
- ATEX Models: See Table Below
- Ambient Temperature: -4...176 °F (ATEX Models See Below)
- Max. Pressure: 360 PSIG
- Min. S.G. of Media: 0.7
- Wetted Parts: 316-Ti Stainless Steel

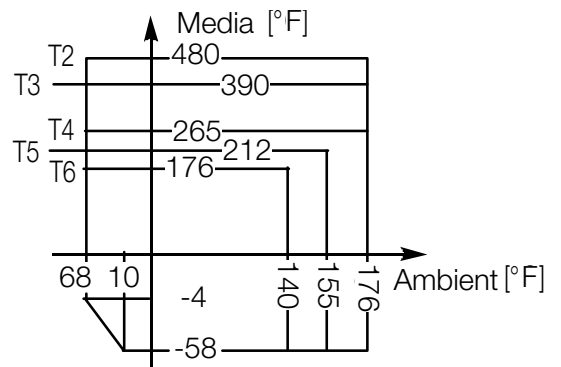
- Housing Material: Epoxy-coated Aluminum
- Flat Gasket: Klingert
- Fittings: 2" NPT or Square Flange (Mating Flange Sold as Accessory)
- Switch Type: Mechanical, SPDT

- Switch Rating
 - Standard: 250 V_{AC}, 10 A; 220 V_{DC}, 0.6 A
 - ATEX: 250 V_{AC}, 2.5 A; 220 V_{DC}, 0.3 A
- Switch Hysteresis: Approximately 3/4"

- Electrical Connection
 - Standard: Cable Gland, PG 13.5
 - Optional: 1/2" NPT Conduit

- Electrical Protection: IP65
- Shipping Weight: Approximately 7.5 lbs
- ATEX Approval: II 1/2 G Ex de mb IIC T6...T2 Ga/Gb

ATEX Temperature Limit Diagram: The applicable media temperature range is limited by this diagram.



Temperature Diagram for ATEX Versions*

Class	T6	T5	T4	T3	T2
Max. Process Temperature	176°F	200°F	265°F	390°F	480°F
Ambient Temperature	-4...140°F	-4...155°F	-4...176°F	-4...176°F	-4...176°F

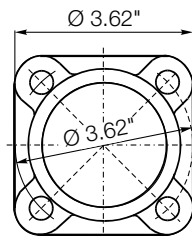
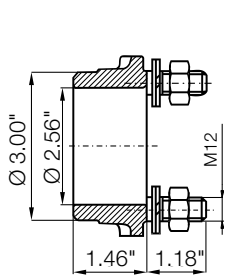
*Except: NGS-51 T_{media}: 32...212°F
 NGS-61 T_{media}: 32...390°F

Order Details (Example: **NGS-21N0**)

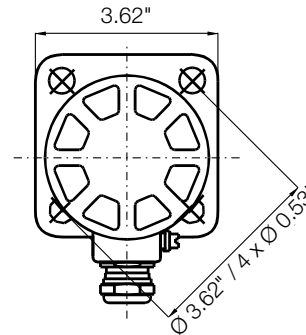
Model	Version	Connection	Options
NGS-	..21.. = Standard	..00 = 3.62" Square Flange ..N0 = 2" NPT	..C = 1/2" NPT Conduit Connection ..Ex = ATEX Version
	..51.. = Standard with Rubber Protection Sleeve	..00 = 3.62" Square Flange	
	..61.. = Standard with Silicone Protection Sleeve		
Accessories			
NGS-MFF1	Carbon Steel Mating Weld-on Flange		
NGS-MFF2	316L Stainless Steel Mating Weld-on Flange		

Dimensions

Mating Weld-on Flange Accessory NGS-MFF..



Square Flange

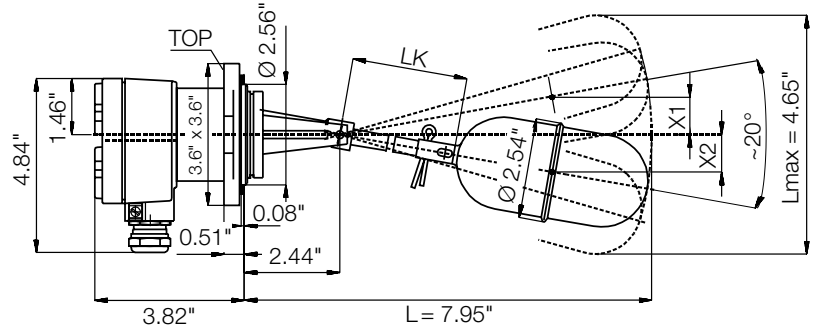




Heavy Duty Level Switch Model NGS

Dimensions

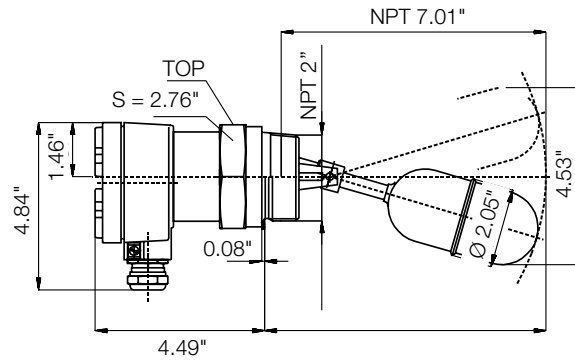
NGS-2100 Square Flange Version



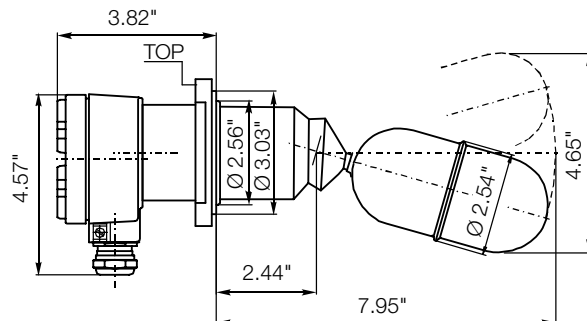
Switching Data Model NGS-21..	
LK = linkage length	0
L = protrusion length	7.95"
L _{max} = total swing	4.65"
X1 = high switch point	0.47"
X2 = low switch point	0.47"

Note: The data applies to water at 68°F, tolerance ± 5 mm

NGS-21N0 Threaded Connection Version



NGS-5100 and NGS-6100 Square Flanged Version with Protection Sleeve



Order from: **C A Briggs Company**

622 Mary Street; Suite 101; Warminster, PA 18974

Phone: 267-673-8117 - Fax: 267-673-8118

Sales@cabriggs.com - www.cabriggs.com

No responsibility taken for errors;
subject to change without prior notice.