



## Magnetic Level Switches for liquids



measuring  
•  
monitoring  
•  
analysing

M01-M20

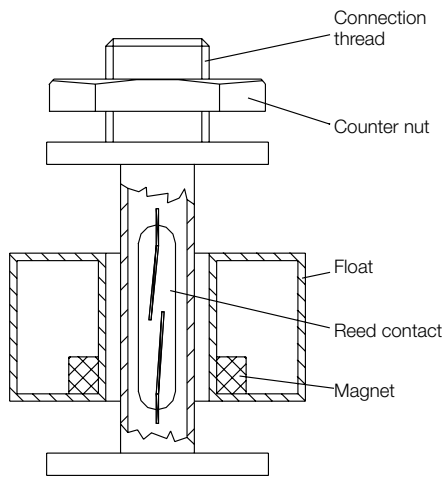


- Switch points: max. 4
- $p_{max}$ : 100 bar;  $t_{max}$ : 150 °C
- Connection:  
G 1/8, G 3/8, G 1/2, G 1, G 1 1/2  
G 2, 1" NPT, 1 1/2" NPT,  
2" NPT, PG 7 male,  
DIN and ANSI flanges,  
special connections
- Material:  
stainless steel, brass,  
PVC-U, PP, NBR, PVDF
- ATEX-Certificate:  
Ex ia, Ex d
- Connection heads:  
aluminium, PA, PP, ABS

21

Order from: **C A Briggs Company**  
622 Mary Street; Suite 101; Warminster, PA 18974  
Phone: 267-673-8117 - Fax: 267-673-8118  
[Sales@cabriggs.com](mailto:Sales@cabriggs.com) - [www.cabriggs.com](http://www.cabriggs.com)

**Design**



**Description**

Magnetic level switches are used for the monitoring and control of liquid levels in vessels. Magnetic level switches are manufactured to customer specification.

An overview of types available with minimum lengths of guide tube is set out on the following pages. Please refer to this overview when placing your order. Furthermore any limits can be specified within the limits found in the brochure.

For example:

- Longer guide tube
- Longer connection cable
- Different cable materials
- Several contacts and different contact operations
- Wide range connections and electrical terminal boxes
- Different materials

**Method of Operation**

Kobold magnetic float switches are fitted with a hermetically sealed contact which is situated in the tube.

The float sliding on the tube contains a ring magnet whose magnetic field switches the sealed contact in a non contacting fashion. The sealed contacts are available as N/O, N/C or changeover contacts.

The float sliding up and down on the liquid is the only moving part in the Kobold magnetic float switches.

**Advantages**

- Simple installation
- Long electrical service life due to sealed contacts
- High-degree of operational reliability with air gap between guide tube and floats
- Installation in top or bottom of vessel
- Several levels can be monitored with one float
- Open/close function or changeover contact available

**Model Codes**

	M07	P	R10	SCXX	P	E
<b>Model</b>						
<b>Guide tube material</b>						
<b>E</b> = stainless steel 1.4404						
<b>M</b> = brass						
<b>P</b> = PVC						
<b>S</b> = PVDF						
<b>Process connection</b>						
<b>R05</b> = G 1/8						
<b>R10</b> = G 3/8						
<b>R15</b> = G 1/2						
<b>PG7</b> = Pg7,						
<b>1R6...9AC</b> = connection box with thread or flange connection						
<b>No. of contacts and function*</b>						
<b>S</b> = N/O contact,						
<b>C</b> = N/C contact						
<b>W</b> = changeover contact						
<b>X</b> = no contact						
<b>Electr. connection</b>						
<b>0</b> = with housing						
<b>P</b> = 1 m PVC-cable						
<b>S</b> = 1 m silicone cable						
<b>L</b> = 1 m PVC cable (stock model)						
<b>Y</b> = special length and type						
<b>ATEX</b>						
<b>0</b> = without						
<b>E</b> = ATEX Ex ia						
<b>F</b> = ATEX Ex d						

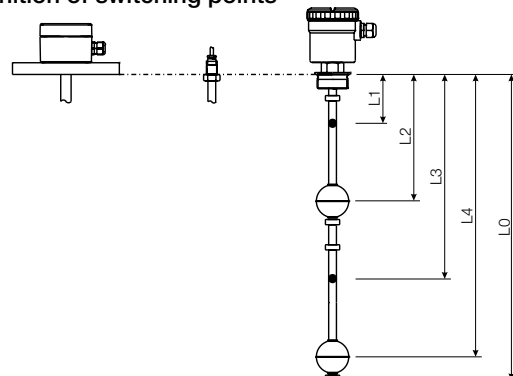
**\*Please note:**

Contact state referred to empty tank. Simply link letters for several contacts. The first letter represents the topmost contact, the second letter the second contact from the top, and so on. The position of the contacts, measured from the sealing edge of the connection screwing, must also be specified.

- L1 = highest contact (mm) from the top (sealing edge)
- L2 = second contact (mm) from the top (sealing edge)
- and so forth

Guide tube length is designated as L0 (see dimensional drawings)

**Definition of switching points**



No responsibility taken for errors; subject to change without prior notice.



Float designs

Model	Form	Materials	Float outside Ø [mm]	Height [mm]	Bore hole Ø [mm]	Min. Liquid density [kg/dm³]	Max. temperature	Nominal pressure at 20 °C
M01	Cylinder solid material	NBR	18	25	10	>0.6	80 °C	10 bar
M02	Cylinder hollow	PP	26	16	10	>0.65	80 °C	3 bar
M03	Cylinder hollow	PVC-U	26	26	10	>0.9	55 °C	3 bar
M04	Ball hollow	Stainless steel 1.4404	30	28	9	>0.8	150 °C	15 bar
M05	Cylinder hollow	PP	42	40	14	>0.6	80 °C	3 bar
M06 <sup>1)</sup>	Cylinder solid material	PP	40	20	14	>0.9	90 °C	100 bar
M07	Cylinder hollow	PVC-U	42	40	14	>0.9	55 °C	3 bar
M08	Cylinder hollow	Stainless steel 1.4404	38	52	15	>0.55	150 °C	20 bar
M10	Ball hollow	Stainless steel 1.4404	52	52	15	>0.6	150 °C	30 bar
M11	Ball hollow	Stainless steel 1.4404	52	52	15	>0.6	150 °C	30 bar
M13	Cylinder hollow	PVDF	38	60	18	>0.6	125 °C	2 bar
M16	Cylinder hollow	PVC-U	60	60	18	>0.8	55 °C	3 bar
M20	Ball hollow	Stainless steel 1.4404	95	95	20.8	>0.5	150 °C	15 bar

<sup>1)</sup> For model M06, one float is required for each switch point.  
For all other floats two contacts can be operated with one float.

Max. wires/pins for electrical connection

Head/cable	Wires/pins
M01 ... M04	6
M05 ... M20	9
Model 1	9
Model 2/4	9
Model 3	9
Model 5	9
Model 6	9
Model 7	3
Model 8	6
Model 9	9
Model L	9

1 N/O -N/C = 2 wires/pins  
1 changeover = 3 wires/pins

ATEX-Certificate:

II 1 GD Ex ia IIC T6 Ga / Ex ia IIIC T85 °C Da -20 ≤ Ta ≤ +60 °C (LOM 06ATEX2054 X)  
 II 1/2 G Ex d IIC T1...T6 Ga/Gb  
 II 2D Ex t IIIC T410 °C Db (LOM 14ATEX2075 X)

Mounting instructions

Float switches can also be fitted in the bottom of vessels.

**Important:** The contact operation is then reversed.

Damping tube for agitated liquids

Float switches with damping tube for agitated or dirty liquids can be supplied upon request.

Temperature monitoring

Float switches with integrated temperature switch, fixed switch point between 60 °C and 150 °C upon request

Option: PT100 available

Order from: **C A Briggs Company**

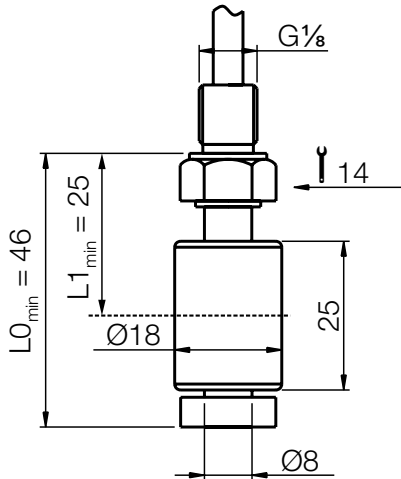
622 Mary Street; Suite 101; Warminster, PA 18974

Phone: 267-673-8117 - Fax: 267-673-8118

[Sales@cabriggs.com](mailto:Sales@cabriggs.com) - [www.cabriggs.com](http://www.cabriggs.com)

**Mini Switches**

Dimensions [mm]


**Technical Details**

N/O contact*:	230 V <sub>AC/DC</sub> / 0.5 A / 10 VA ATEX Ex ia: U <sub>i</sub> : 40 V
N/C contact*:	230 V <sub>AC/DC</sub> / 0.5 A / 10 VA ATEX Ex ia: U <sub>i</sub> : 40 V
Changeover contact*:	100 V <sub>AC/DC</sub> / 0.5 A / 3 VA ATEX Ex ia: U <sub>i</sub> : 40 V

\* Note: contact state referred to empty tank and switch point distance refer to a density 1.0 kg/dm<sup>3</sup>

Cable length:	1 m
Installation position:	vertical ± 30°
Protection type:	IP 64
Min. liquid density:	> 0.6 kg/dm <sup>3</sup>
Max. pressure (at 20°C):	3 bar (PVC tube), 10 bar (brass, 1.4404 tube)
Max. temp. PVC cable:	55°C (PVC tube), 70°C (brass, 1,4404 tube)
Max. temp. silicone cable:	55°C (PVC tube), 80°C (brass, 1,4404 tube)
Max. length of guide tube:	1 m (PVC tube), 2 m (brass, 1.4404 tube)
Connection heads:	see following pages
Switch point min. distance from end of meas. tube:	21 mm (for special length)
Switch point min. distance between contacts:	between L1 and L2: 28 ± 3 mm between L2 and L3: 35 ± 3 mm
Hysteresis:	3 mm

Model	Guide tube <sup>1)</sup>	Process connection	Contact L1	Contact L2	Contact L3 <sup>2)</sup>	Electr. connection	ATEX
<b>M01-</b> (NBR float)	<b>M</b> = brass <b>E</b> = 1.4404 <b>P</b> = PVC	<b>R05</b> = G $\frac{1}{8}$ <b>XXX</b> = see following pages for different connection heads	<b>S</b> = N/O <b>C</b> = N/C <b>W</b> = SPDT	<b>X</b> = without <b>S</b> = N/O <b>C</b> = N/C <b>W</b> = SPDT	<b>XX</b> = without <b>SX</b> = N/O <b>CX</b> = N/C	<b>0</b> <sup>5)</sup> = with housing <b>P</b> = 1 m PVC-cable <b>S</b> = 1 m silicone cable <b>L</b> <sup>3)</sup> = 1 m PVC-cable (stock model) <b>Y</b> <sup>4)</sup> = special length and type	<b>0</b> = without <b>E</b> = ATEX <b>F</b> <sup>6)</sup> = ATEX Ex d

<sup>1)</sup> Please specify in writing total and contact lengths

<sup>2)</sup> Max. number of contacts 3 pieces N/O, N/C, or 2 SPDT contacts.

<sup>3)</sup> Stock model always with one contact and minimum guide tube length, without ATEX

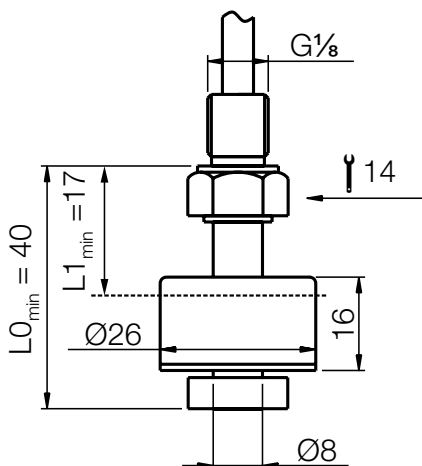
<sup>4)</sup> Please specify in writing length and type of cable

<sup>5)</sup> Only with connection head

<sup>6)</sup> Only available with guide tube option »E« (1.4404) and connection head »L«

## Mini switches

Dimensions [mm]



## Technical Details

N/O contact*:	230 V <sub>AC/DC</sub> / 0.5 A / 10 VA ATEX Ex ia: U <sub>i</sub> : 40 V
N/C contact*:	230 V <sub>AC/DC</sub> / 0.5 A / 10 VA ATEX Ex ia: U <sub>i</sub> : 40 V
Changeover contact*:	100 V <sub>AC/DC</sub> / 0.5 A / 3 VA ATEX Ex ia: U <sub>i</sub> : 40 V

\* Note: contact state referred to empty tank and switch point distance refer to a density 1.0 kg/dm<sup>3</sup>

Cable length:	1 m
Installation position:	vertical ± 30°
Protection type:	IP 64
Min. liquid density:	> 0.65 kg/dm <sup>3</sup>
Max. pressure (at 20°C):	3 bar
Max. temp. PVC cable:	70°C
Max. temp. silicone cable:	80°C
Max. length of guide tube:	2 m
Connection heads:	see following pages
Switch point min. distance from end of meas. tube:	23 mm
Switch point min. distance between contacts:	between L1 and L2: 28 ± 3 mm between L2 and L3: 28 ± 3 mm
Hysteresis:	3 mm

Model	Guide tube <sup>1)</sup>	Process connection	Contact L1	Contact L2	Contact L3 <sup>2)</sup>	Electr. connection	ATEX
<b>M02-</b> (PP float)	<b>M</b> = brass <b>E</b> = 1.4404	<b>R05</b> = G $\frac{1}{8}$ <b>XXX</b> = see following pages for different connection heads	<b>S</b> = N/O <b>C</b> = N/C <b>W</b> = SPDT	<b>X</b> = without <b>S</b> = N/O <b>C</b> = N/C <b>W</b> = SPDT	<b>XX</b> = without <b>SX</b> = N/O <b>CX</b> = N/C	<b>0</b> <sup>5)</sup> = with housing <b>P</b> = 1 m PVC-cable <b>S</b> = 1 m silicone cable <b>L</b> <sup>3)</sup> = 1 m PVC-cable (stock model) <b>Y</b> <sup>4)</sup> = special length and type	<b>0</b> = without <b>E</b> = ATEX <b>F</b> <sup>6)</sup> = ATEX Ex d

<sup>1)</sup> Please specify in writing total and contact lengths

<sup>2)</sup> Max. number of contacts 3 pieces N/O, N/C, or 2 SPDT contacts.

<sup>3)</sup> Stock model always with one contact and minimum guide tube length, without ATEX

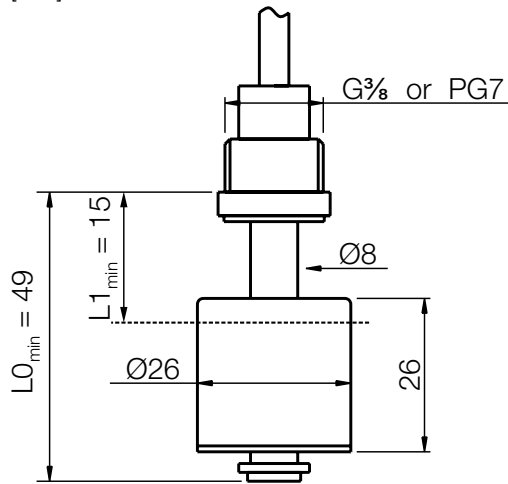
<sup>4)</sup> Please specify in writing length and type of cable

<sup>5)</sup> Only with connection head

<sup>6)</sup> Only available with guide tube option »E« (1.4404) and connection head »L«

**Mini Switches**

Dimensions [mm]


**Technical Details**

N/O contact*:	230 V <sub>AC/DC</sub> / 0.5 A / 10 VA ATEX Ex ia: U <sub>i</sub> : 40 V
N/C contact*:	230 V <sub>AC/DC</sub> / 0.5 A / 10 VA ATEX Ex ia: U <sub>i</sub> : 40 V
Changeover contact*:	100 V <sub>AC/DC</sub> / 0.5 A / 3 VA ATEX Ex ia: U <sub>i</sub> : 40 V

\* Note: contact state referred to empty tank and switch point distance refer to a density 1.0 kg/dm<sup>3</sup>

Cable length:	1 m
Installation position:	vertical $\pm 30^\circ$
Protection type:	IP 64
Min. liquid density:	>0.9 kg/dm <sup>3</sup>
Max. pressure (at 20°C):	3 bar
Max. temperature:	55°C
Max. length of guide tube:	1 m
Connection heads:	see following pages
Switch point min. distance from end of meas. tube:	32 mm (for special length) 34 mm (for L0: 49 mm)
Switch point min. distance between contacts:	between L1 and L2: 28 $\pm 3$ mm between L2 and L3: 36 $\pm 3$ mm
Hysteresis:	3 mm

Model	Guide tube <sup>1)</sup>	Process connection	Contact L1	Contact L2	Contact L3 <sup>2)</sup>	Electr. connection	ATEX
<b>M03-</b> (PVC float)	<b>P</b> = PVC	<b>R10</b> = G $\frac{3}{8}$ <b>PG7</b> = Pg7 <b>XXX</b> = see following pages for different connection heads	<b>S</b> = N/O <b>C</b> = N/C <b>W</b> = SPDT	<b>X</b> = without <b>S</b> = N/O <b>C</b> = N/C <b>W</b> = SPDT	<b>XX</b> = without <b>SX</b> = N/O <b>CX</b> = N/C	<b>0</b> <sup>5)</sup> = with housing <b>P</b> = 1 m PVC-cable <b>S</b> = 1 m silicone cable <b>L</b> <sup>3)</sup> = 1 m PVC-cable (stock model) <b>Y</b> <sup>4)</sup> = special length and type	<b>0</b> = without <b>E</b> = ATEX Ex ia

<sup>1)</sup> Please specify in writing total and contact lengths

<sup>2)</sup> Max. number of contacts 3 pieces N/O, N/C, or 2 SPDT contacts.

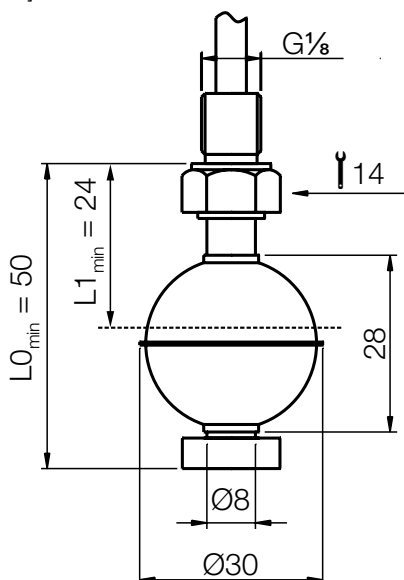
<sup>3)</sup> Stock model always with one contact and minimum guide tube length, without ATEX, including counter nut

<sup>4)</sup> Please specify in writing length and type of cable

<sup>5)</sup> Only with connection head

**Mini switches**

Dimensions [mm]



**Technical Details**

N/O contact*:	230 V <sub>AC/DC</sub> / 0.5 A / 10 VA ATEX Ex ia: U <sub>i</sub> : 40 V
N/C contact*:	230 V <sub>AC/DC</sub> / 0.5 A / 10 VA ATEX Ex ia: U <sub>i</sub> : 40 V
Changeover contact*:	100 V <sub>AC/DC</sub> / 0.5 A / 3 VA ATEX Ex ia: U <sub>i</sub> : 40 V

\* Note: contact state referred to empty tank and switch point distance refer to a density 1.0 kg/dm<sup>3</sup>

Cable length:	1 m
Installation position:	vertical ±30°
Protection type:	IP64
Min. liquid density:	>0.8 kg/dm <sup>3</sup>
Max. pressure (at 20°C):	15 bar
Max. temp. PVC cable:	70°C
Max. temp. silicone cable:	150°C
Max. length of guide tube:	2 m
Connection heads:	see following pages
Switch point min. distance from end of meas. tube:	30 mm (for special length) 26 mm (for L0: 50 mm)
Switch point min. distance between contacts:	between L1 and L2: 28 ±3 mm between L2 and L3: 38 ±3 mm
Hysteresis:	3 mm

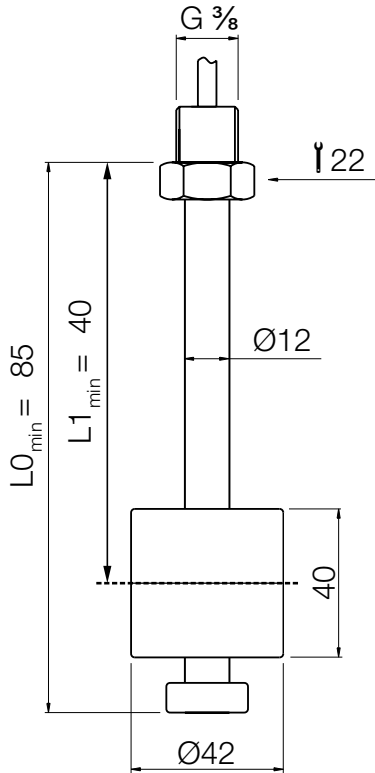
Model	Guide tube <sup>1)</sup>	Process connection	Contact L1	Contact L2	Contact L3 <sup>2)</sup>	Electr. connection	ATEX
<b>M04-</b> (1.4404 float)	<b>M</b> = brass <b>E</b> = 1.4404	<b>R05</b> = G1/8 <b>XXX</b> = see following pages for different connection heads	<b>S</b> = N/O <b>C</b> = N/C <b>W</b> = SPDT	<b>X</b> = without <b>S</b> = N/O <b>C</b> = N/C <b>W</b> = SPDT	<b>XX</b> = without <b>SX</b> = N/O <b>CX</b> = N/C	<b>0</b> <sup>5)</sup> = with housing <b>P</b> = 1 m PVC-cable <b>S</b> = 1 m silicone cable <b>L</b> <sup>3)</sup> = 1 m PVC-cable (stock model) <b>Y</b> <sup>4)</sup> = special length and type	<b>0</b> = without <b>E</b> = ATEX Ex ia <b>F</b> <sup>6)</sup> = ATEX Ex d

<sup>1)</sup> Please specify in writing total and contact lengths  
<sup>2)</sup> Max. number of contacts 3 pieces N/O, N/C, or 2 SPDT contacts.  
<sup>3)</sup> Stock model always with one contact and minimum guide tube length, without ATEX  
<sup>4)</sup> Please specify in writing length and type of cable  
<sup>5)</sup> Only with connection head  
<sup>6)</sup> Only available with guide tube option »E« (1.4404) and connection head »L«



**Cylindrical float made of polypropylene**

Dimensions [mm]



**Technical Details**

N/O contact*:	230 V <sub>AC/DC</sub> / 1 A / 60 VA ATEX Ex ia: U <sub>i</sub> : 40 V
N/C contact*:	230 V <sub>AC/DC</sub> / 1 A / 60 VA ATEX Ex ia: U <sub>i</sub> : 40 V
Changeover contact*:	230 V <sub>AC/DC</sub> / 1 A / 60 VA ATEX Ex ia: U <sub>i</sub> : 40 V

\* Note: contact state referred to empty tank and switch point distance refer to a density 1.0 kg/dm<sup>3</sup>

Cable length:	1 m
Installation position:	vertical ±30°
Protection type:	IP65
Min. liquid density:	>0.6 kg/dm <sup>3</sup>
Max. pressure (at 20°C):	3 bar
Max. temp. PVC cable:	70°C
Max. temp. silicone cable:	80°C
Max. length of guide tube:	4 m
Connection heads:	see following pages
Switch point min. distance from end of meas. tube:	45 mm
Switch point min. distance between contacts:	between L1 and L2: 45 ±3 mm between L2 and L3: 54 ±3 mm between L3 and L4: 45 ±3 mm
Hysteresis:	5 mm

Model	Guide tube <sup>1)</sup>	Process connection	Contact L1	Contact L2	Contact L3	Contact L4 <sup>2)</sup>	Electr. connection	ATEX	
<b>M05-</b> (PP float)	<b>M</b> = brass <b>E</b> = 1.4404	<b>R10</b> = G <sup>3</sup> / <sub>8</sub> <b>XXX</b> = see following pages for different connection heads	<b>S</b> = N/O <b>C</b> = N/C <b>W</b> = SPDT	<b>X</b> = without <b>S</b> = N/O <b>C</b> = N/C <b>W</b> = SPDT	<b>X</b> = without <b>S</b> = N/O <b>C</b> = N/C <b>W</b> = SPDT	<b>X</b> = without <b>S</b> = N/O <b>C</b> = N/C	<b>X</b> = without <b>S</b> = N/O <b>C</b> = N/C	<b>O</b> <sup>4)</sup> = with housing <b>P</b> = 1 m PVC-cable <b>S</b> = 1 m silicone cable <b>Y</b> <sup>3)</sup> = special length and type	<b>O</b> = without <b>E</b> = ATEX Ex ia <b>F</b> <sup>5)</sup> = ATEX Ex d

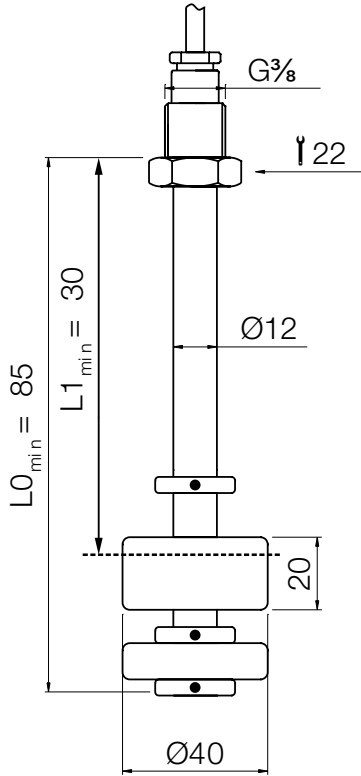
<sup>1)</sup> Please specify in writing total and contact lengths  
<sup>2)</sup> Max. number of contacts 4 pieces N/O, N/C, or 3 SPDT contacts  
<sup>3)</sup> Please specify in writing length and type of cable  
<sup>4)</sup> Only with connection head  
<sup>5)</sup> Only available with guide tube option »E« (1.4404) and connection head »L«

Order from: **C A Briggs Company**  
 622 Mary Street; Suite 101; Warminster, PA 18974  
 Phone: 267-673-8117 - Fax: 267-673-8118  
[Sales@cabriggs.com](mailto:Sales@cabriggs.com) - [www.cabriggs.com](http://www.cabriggs.com)



**High-pressure applications**

Dimensions [mm]



**Technical Details**

N/O contact*:	230 V <sub>AC/DC</sub> / 1 A / 60 VA ATEX Ex ia: U <sub>i</sub> : 40 V
N/C contact*:	230 V <sub>AC/DC</sub> / 1 A / 60 VA ATEX Ex ia: U <sub>i</sub> : 40 V
Changeover contact*:	230 V <sub>AC/DC</sub> / 1 A / 60 VA ATEX Ex ia: U <sub>i</sub> : 40 V

\* Note: contact state referred to empty tank and switch point distance refer to a density 1.0 kg/dm<sup>3</sup>

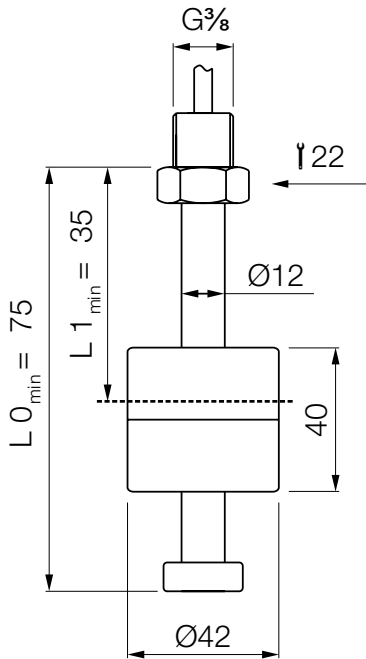
Cable length:	1 m
Installation position:	vertical ±30°
Protection type:	IP 65
Min. liquid density:	>0.9 kg/dm <sup>3</sup>
Max. pressure (at 20°C):	100 bar
Max. temp. PVC cable:	70°C
Max. temp. silicone cable:	90°C
Max. length of guide tube:	4 m
Connection heads:	see following pages
Switch point min. distance from end of meas. tube:	55 mm
Switch point min. distance between contacts:	between L1 and L2: 70 ±7 mm between L2 and L3: 70 ±7 mm between L3 and L4: 70 ±7 mm
Hysteresis:	5 mm

Model	Guide tube <sup>1)</sup>	Process connection	Contact L1	Contact L2	Contact L3	Contact L4 <sup>2)</sup>	Electr. connection	ATEX
<b>M06-</b> (PP float)	<b>M</b> = brass <b>E</b> = 1.4404	<b>R10</b> = G <sup>3</sup> / <sub>8</sub> <b>XXX</b> = see following pages for different connection heads	<b>S</b> = N/O <b>C</b> = N/C <b>W</b> = SPDT	<b>X</b> = without <b>S</b> = N/O <b>C</b> = N/C <b>W</b> = SPDT	<b>X</b> = without <b>S</b> = N/O <b>C</b> = N/C <b>W</b> = SPDT	<b>X</b> = without <b>S</b> = N/O <b>C</b> = N/C	<b>O</b> <sup>4)</sup> = with housing <b>P</b> = 1 m PVC-cable <b>S</b> = 1 m silicone cable <b>Y</b> <sup>3)</sup> = special length and type	<b>O</b> = without <b>E</b> = ATEX Ex ia <b>F</b> <sup>5)</sup> = ATEX Ex d

<sup>1)</sup> Please specify in writing total and contact lengths  
<sup>2)</sup> Max. number of contacts 4 pieces N/O, N/C, or 3 SPDT contacts  
<sup>3)</sup> Please specify in writing length and type of cable  
<sup>4)</sup> Only with connection head  
<sup>5)</sup> Only available with guide tube option »E« (1.4404) and connection head »L«

**Cylindrical float and tube made of PVC**

Dimensions [mm]



**Technical Details**

N/O contact*:	230 V <sub>AC/DC</sub> / 1 A / 60 VA ATEX Ex ia: U <sub>i</sub> : 40 V
N/C contact*:	230 V <sub>AC/DC</sub> / 1 A / 60 VA ATEX Ex ia: U <sub>i</sub> : 40 V
Changeover contact*:	230 V <sub>AC/DC</sub> / 1 A / 60 VA ATEX Ex ia: U <sub>i</sub> : 40 V

\* Note: contact state referred to empty tank and switch point distance refer to a density 1.0 kg/dm<sup>3</sup>

Cable length:	1 m
Installation position:	vertical ±30°
Protection type:	IP 65
Min. liquid density:	>0.9 kg/dm <sup>3</sup>
Max. pressure (at 20°C):	3 bar
Max. temp. PVC cable:	55°C
Max. temp. silicone cable:	55°C
Max. length of guide tube:	2 m
Connection heads:	see following pages
Switch point min. distance from end of meas. tube:	40 mm
Switch point min. distance between contacts:	between L1 and L2: 45 ±3 mm between L2 and L3: 54 ±3 mm between L3 and L4: 45 ±3 mm
Hysteresis:	5 mm

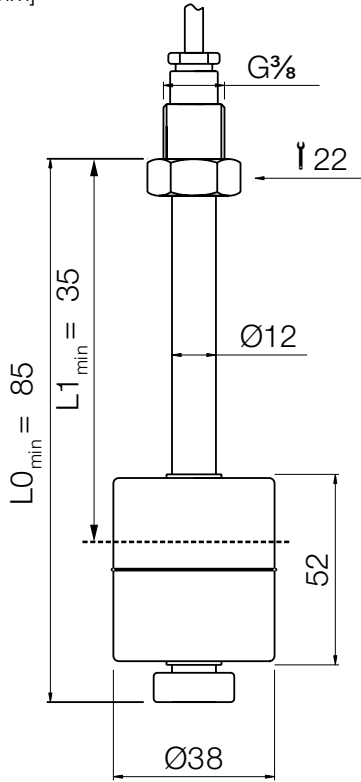
Model	Guide tube <sup>1)</sup>	Process connection	Contact L1	Contact L2	Contact L3	Contact L4 <sup>2)</sup>	Electr. connection	ATEX
<b>M07-</b> (PVC float)	<b>P</b> = PVC	<b>R10</b> = G <sup>3</sup> / <sub>8</sub> <b>XXX</b> = see following pages for different connection heads	<b>S</b> = N/O <b>C</b> = N/C <b>W</b> = SPDT	<b>X</b> = without <b>S</b> = N/O <b>C</b> = N/C <b>W</b> = SPDT	<b>X</b> = without <b>S</b> = N/O <b>C</b> = N/C <b>W</b> = SPDT	<b>X</b> = without <b>S</b> = N/O <b>C</b> = N/C	<b>O</b> <sup>4)</sup> = with housing <b>P</b> = 1 m PVC-cable <b>S</b> = 1 m silicone cable <b>Y</b> <sup>3)</sup> = special length and type	<b>O</b> = without <b>E</b> = ATEX Ex ia

<sup>1)</sup> Please specify in writing total and contact lengths  
<sup>2)</sup> Max. number of contacts 4 pieces N/O, N/C, or 3 SPDT contacts  
<sup>3)</sup> Please specify in writing length and type of cable  
<sup>4)</sup> Only with connection head



**Cylindrical float made of stainless steel 1.4404**

Dimensions [mm]



**Technical Details**

N/O contact*:	230 V <sub>AC/DC</sub> / 1 A / 60 VA ATEX Ex ia: U <sub>i</sub> : 40 V
N/C contact*:	230 V <sub>AC/DC</sub> / 1 A / 60 VA ATEX Ex ia: U <sub>i</sub> : 40 V
Changeover contact*:	230 V <sub>AC/DC</sub> / 1 A / 60 VA ATEX Ex ia: U <sub>i</sub> : 40 V

\* Note: contact state referred to empty tank and switch point distance refer to a density 1.0 kg/dm<sup>3</sup>

Cable length:	1 m
Installation position:	vertical ±30°
Protection type:	IP65
Min. liquid density:	>0.55 kg/dm <sup>3</sup>
Max. pressure (at 20°C):	20 bar
Max. temp. PVC cable:	70°C
Max. temp. silicone cable:	150°C
Max. length of guide tube:	4 m
Connection heads:	see following pages
Switch point min. distance from end of meas. tube:	50 mm
Switch point min. distance between contacts:	between L1 and L2: 45 ±3 mm between L2 and L3: 66 ±3 mm between L3 and L4: 45 ±3 mm
Hysteresis:	5 mm

Model	Guide tube <sup>1)</sup>	Process connection	Contact L1	Contact L2	Contact L3	Contact L4 <sup>2)</sup>	Electr. connection	ATEX
<b>M08-</b> (1.4404 float)	<b>M</b> = brass <b>E</b> = 1.4404	<b>R10</b> = G <sup>3</sup> / <sub>8</sub> <b>XXX</b> = see following pages for different connection heads	<b>S</b> = N/O <b>C</b> = N/C <b>W</b> = SPDT	<b>X</b> = without <b>S</b> = N/O <b>C</b> = N/C <b>W</b> = SPDT	<b>X</b> = without <b>S</b> = N/O <b>C</b> = N/C <b>W</b> = SPDT	<b>X</b> = without <b>S</b> = N/O <b>C</b> = N/C	<b>O</b> <sup>4)</sup> = with housing <b>P</b> = 1 m PVC-cable <b>S</b> = 1 m silicone cable <b>Y</b> <sup>5)</sup> = special length and type	<b>O</b> = without <b>E</b> = ATEX Ex ia <b>F</b> <sup>5)</sup> = ATEX Ex d

<sup>1)</sup> Please specify in writing total and contact lengths  
<sup>2)</sup> Max. number of contacts 4 pieces N/O, N/C, or 3 SPDT contacts  
<sup>3)</sup> Please specify in writing length and type of cable  
<sup>4)</sup> Only with connection head  
<sup>5)</sup> Only available with guide tube option »E« (1.4404) and connection head »L«

Order from: **C A Briggs Company**

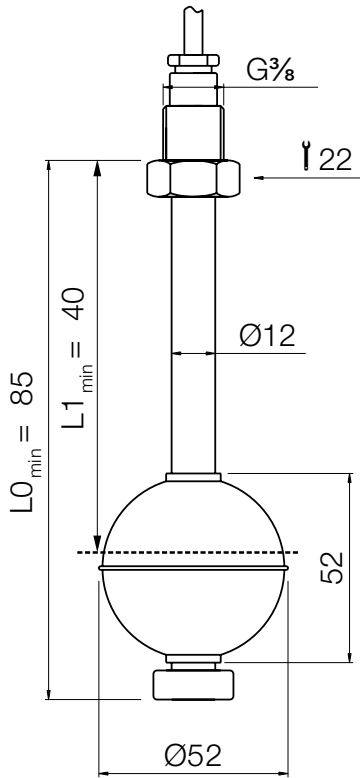
622 Mary Street, Suite 101; Warminster, PA 18974

Phone: 267-673-8117 - Fax: 267-673-8118

[Sales@cabriggs.com](mailto:Sales@cabriggs.com) - [www.cabriggs.com](http://www.cabriggs.com)

**Ball float made of stainless steel 1.4404**

Dimensions [mm]



**Technical Details**

N/O contact*:	230 V <sub>AC/DC</sub> / 1 A / 60 VA ATEX Ex ia: U <sub>i</sub> : 40 V
N/C contact*:	230 V <sub>AC/DC</sub> / 1 A / 60 VA ATEX Ex ia: U <sub>i</sub> : 40 V
Changeover contact*:	230 V <sub>AC/DC</sub> / 1 A / 60 VA ATEX Ex ia: U <sub>i</sub> : 40 V

\* Note: contact state referred to empty tank and switch point distance refer to a density 1.0 kg/dm<sup>3</sup>

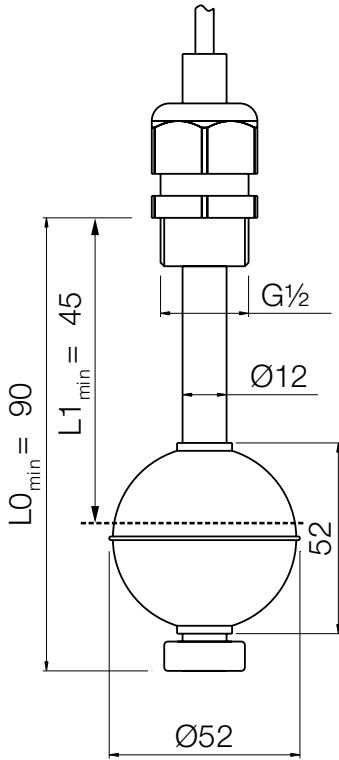
Cable length:	1 m
Installation position:	vertical ±30°
Protection type:	IP65
Min. liquid density:	>0.6 kg/dm <sup>3</sup>
Max. pressure (at 20°C):	30 bar
Max. temp. PVC cable:	70°C
Max. temp. silicone cable:	150°C
Max. length of guide tube:	4 m
Connection heads:	see following pages
Switch point min. distance from end of meas. tube:	45 mm
Switch point min. distance between contacts:	between L1 and L2: 45 ±3 mm between L2 and L3: 66 ±3 mm between L3 and L4: 45 ±3 mm
Hysteresis:	5 mm

Model	Guide tube <sup>1)</sup>	Process connection	Contact L1	Contact L2	Contact L3	Contact L4 <sup>2)</sup>	Electr. connection	ATEX
<b>M10-</b> (1.4404 float)	<b>M</b> = brass <b>E</b> = 1.4404	<b>R10</b> = G <sup>3</sup> / <sub>8</sub> <b>XXX</b> = see following pages for different connection heads	<b>S</b> = N/O <b>C</b> = N/C <b>W</b> = SPDT	<b>X</b> = without <b>S</b> = N/O <b>C</b> = N/C <b>W</b> = SPDT	<b>X</b> = without <b>S</b> = N/O <b>C</b> = N/C <b>W</b> = SPDT	<b>X</b> = without <b>S</b> = N/O <b>C</b> = N/C	<b>O</b> <sup>4)</sup> = with housing <b>P</b> = 1 m PVC-cable <b>S</b> = 1 m silicone cable <b>Y</b> <sup>3)</sup> = special length and type	<b>O</b> = without <b>E</b> = ATEX Ex ia <b>F</b> <sup>5)</sup> = ATEX Ex d

<sup>1)</sup> Please specify in writing total and contact lengths  
<sup>2)</sup> Max. number of contacts 4 pieces N/O, N/C, or 3 SPDT contacts.  
<sup>3)</sup> Please specify in writing length and type of cable  
<sup>4)</sup> Only with connection head  
<sup>5)</sup> Only available with guide tube option »E« (1.4404) and connection head »L«

**Adjustable for height**

Dimensions [mm]



**Technical Details**

N/O contact*:	230 V <sub>AC/DC</sub> / 1 A / 60 VA ATEX Ex ia: U <sub>i</sub> : 40 V
N/C contact*:	230 V <sub>AC/DC</sub> / 1 A / 60 VA ATEX Ex ia: U <sub>i</sub> : 40 V
Changeover contact*:	230 V <sub>AC/DC</sub> / 1 A / 60 VA ATEX Ex ia: U <sub>i</sub> : 40 V

\* Note: contact state referred to empty tank and switch point distance refer to a density 1.0 kg/dm<sup>3</sup>

Cable length:	1 m
Installation position:	vertical $\pm 30^\circ$
Protection type:	IP65
Min. liquid density:	>0.6 kg/dm <sup>3</sup>
Max. pressure (at 20°C):	30 bar
Max. temp. PVC cable:	70°C
Max. temp. silicone cable:	150°C
Max. length of guide tube:	4 m
Switch point min. distance from end of meas. tube:	45 mm
Switch point min. distance between contacts:	between L1 and L2: 45 $\pm$ 3 mm between L2 and L3: 66 $\pm$ 3 mm between L3 and L4: 45 $\pm$ 3 mm
Hysteresis:	5 mm

Model	Guide tube <sup>1)</sup>	Process connection	Contact L1	Contact L2	Contact L3	Contact L4 <sup>2)</sup>	Electr. connection	ATEX
<b>M11-</b> (1.4404 float)	<b>M</b> = brass <b>E</b> = 1.4404	<b>R15</b> = G ½	<b>S</b> = N/O <b>C</b> = N/C <b>W</b> = SPDT	<b>X</b> = without <b>S</b> = N/O <b>C</b> = N/C <b>W</b> = SPDT	<b>X</b> = without <b>S</b> = N/O <b>C</b> = N/C <b>W</b> = SPDT	<b>X</b> = without <b>S</b> = N/O <b>C</b> = N/C	<b>P</b> = 1 m PVC-cable <b>S</b> = 1 m silicone cable <b>Y</b> <sup>3)</sup> = special length and type	<b>O</b> = without <b>E</b> = ATEX Ex ia

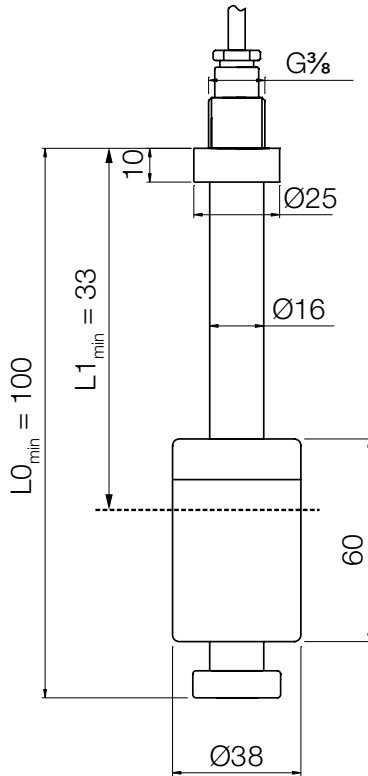
<sup>1)</sup> Please specify in writing total and contact lengths

<sup>2)</sup> Max. number of contacts 4 pieces N/O, N/C, or 3 SPDT contacts.

<sup>3)</sup> Please specify in writing length and type of cable

**PVDF design**

Dimensions [mm]



**Technical Details**

N/O contact*:	230 V <sub>AC/DC</sub> / 1 A / 60 VA ATEX Ex ia: U <sub>i</sub> : 40 V
N/C contact*:	230 V <sub>AC/DC</sub> / 1 A / 60 VA ATEX Ex ia: U <sub>i</sub> : 40 V
Changeover contact*:	230 V <sub>AC/DC</sub> / 1 A / 60 VA ATEX Ex ia: U <sub>i</sub> : 40 V

\* Note: contact state referred to empty tank and switch point distance refer to a density 1.0 kg/dm<sup>3</sup>

Cable length:	1 m
Installation position:	vertical $\pm 30^\circ$
Protection type:	IP 65
Min. liquid density:	>0.6 kg/dm <sup>3</sup>
Max. pressure (at 20°C):	2 bar
Max. temp. PVC cable:	70°C
Max. temp. silicone cable:	125°C
Max. length of guide tube:	3 m
Connection heads:	see following pages
Switch point min. distance from end of meas. tube:	67 mm
Switch point min. distance between contacts:	between L1 and L2: 45 $\pm$ 3 mm between L2 and L3: 80 $\pm$ 3 mm between L3 and L4: 45 $\pm$ 3 mm

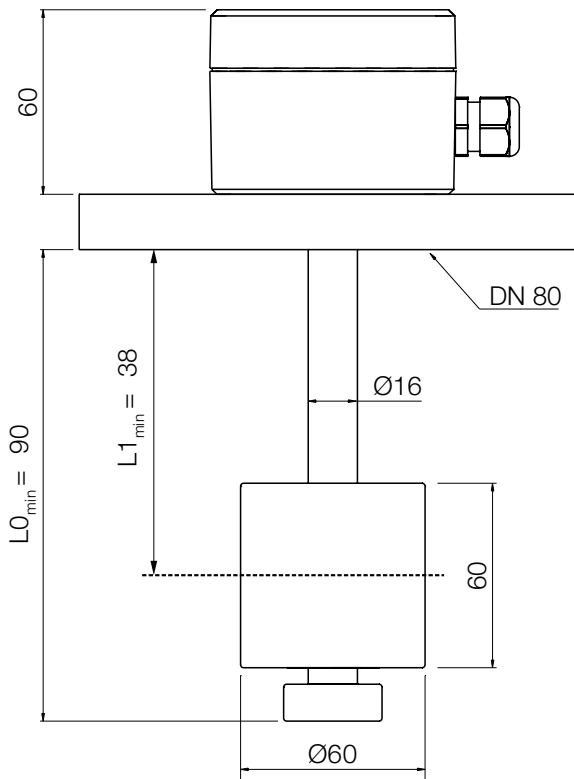
Hysteresis: 5 mm

Model	Guide tube <sup>1)</sup>	Process connection	Contact L1	Contact L2	Contact L3	Contact L4 <sup>2)</sup>	Electr. connection	ATEX
<b>M13-</b> (PVDF float)	<b>S</b> = PVDF	<b>R10</b> = G $\frac{3}{8}$ <b>XXX</b> = see following pages for different connection heads	<b>S</b> = N/O <b>C</b> = N/C <b>W</b> = SPDT	<b>X</b> = without <b>S</b> = N/O <b>C</b> = N/C <b>W</b> = SPDT	<b>X</b> = without <b>S</b> = N/O <b>C</b> = N/C <b>W</b> = SPDT	<b>X</b> = without <b>S</b> = N/O <b>C</b> = N/C	<b>O</b> <sup>4)</sup> = with housing <b>P</b> = 1 m PVC-cable <b>S</b> = 1 m silicone cable <b>Y</b> <sup>3)</sup> = special length and type	<b>O</b> = without <b>E</b> = ATEX Ex ia

<sup>1)</sup> Please specify in writing total and contact lengths  
<sup>2)</sup> Max. number of contacts 4 pieces N/O, N/C, or 3 SPDT contacts  
<sup>3)</sup> Please specify in writing length and type of cable  
<sup>4)</sup> Only with connection head

**PVC flange design**

Dimensions [mm]



**Technical Details**

N/O contact\*: 230 V<sub>AC/DC</sub> / 1 A / 60 VA  
ATEX Ex ia: U<sub>i</sub>: 40 V

N/C contact\*: 230 V<sub>AC/DC</sub> / 1 A / 60 VA  
ATEX Ex ia: U<sub>i</sub>: 40 V

Changeover contact\*: 230 V<sub>AC/DC</sub> / 1 A / 60 VA  
ATEX Ex ia: U<sub>i</sub>: 40 V

\* Note: contact state referred to empty tank and switch point distance refer to a density 1.0 kg/dm<sup>3</sup>

Installation position: vertical ±30°  
Protection type: IP 65  
Min. liquid density: > 0.8 kg/dm<sup>3</sup>  
Max. pressure (at 20°C): 3 bar  
Max. temp.: 55°C  
Max. length of guide tube: 3 m  
Switch point min. distance from end of meas. tube: 52 mm  
Switch point min. distance between contacts:  
between L1 and L2: 45 ±3 mm  
between L2 and L3: 80 ±3 mm  
between L3 and L4: 45 ±3 mm

Hysteresis: 5 mm

Model	Guide tube <sup>1)</sup>	Process connection	Contact L1	Contact L2	Contact L3	Contact L4 <sup>2)</sup>	Electr. connection	ATEX
<b>M16-</b> (PVC float)	<b>P</b> = PVC	<b>F80</b> = DN80	<b>S</b> = N/O <b>C</b> = N/C <b>W</b> = SPDT	<b>X</b> = without <b>S</b> = N/O <b>C</b> = N/C <b>W</b> = SPDT	<b>X</b> = without <b>S</b> = N/O <b>C</b> = N/C <b>W</b> = SPDT	<b>X</b> = without <b>S</b> = N/O <b>C</b> = N/C	<b>0</b> = with housing	<b>0</b> = without <b>E</b> = ATEX Ex ia

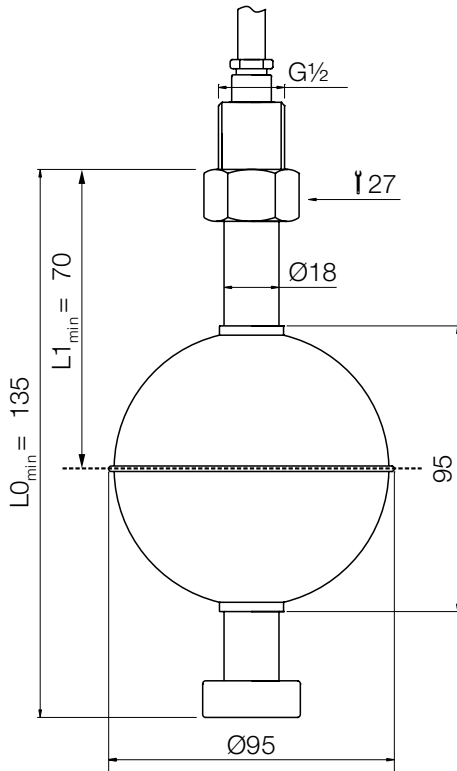
<sup>1)</sup> Please specify in writing total and contact lengths

<sup>2)</sup> Max. number of contacts 4 pieces N/O, N/C, or 3 SPDT contacts



**Heavy-duty design**

Dimensions [mm]



**Technical Details**

- N/O contact\*: 230 V<sub>AC/DC</sub> / 1 A / 60 VA  
ATEX Ex ia: U<sub>i</sub>: 40 V
- N/C contact\*: 230 V<sub>AC/DC</sub> / 1 A / 60 VA  
ATEX Ex ia: U<sub>i</sub>: 40 V
- Changeover contact\*: 230 V<sub>AC/DC</sub> / 1 A / 60 VA  
ATEX Ex ia: U<sub>i</sub>: 40 V

\* Note: contact state referred to empty tank and switch point distance refer to a density 1.0 kg/dm<sup>3</sup>

- Cable length: 1 m
- Installation position: vertical ±30°
- Protection type: IP65
- Min. liquid density: >0.5 kg/dm<sup>3</sup>
- Max. pressure (at 20°C): 15 bar
- Max. temp. PVC cable: 70°C
- Max. temp. silicone cable: 150°C
- Max. length of guide tube: 6 m
- Switch point min. distance from end of meas. tube: 65 mm
- Switch point min. distance between contacts:
  - between L1 and L2: 45 ±3 mm
  - between L2 and L3: 110 ±3 mm
  - between L3 and L4: 45 ±3 mm
- Hysteresis: 5 mm

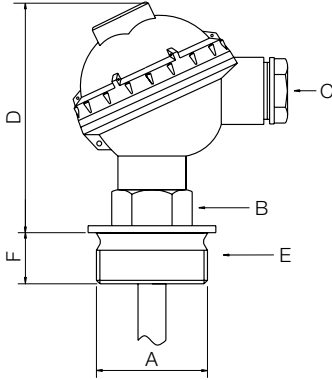
Model	Guide tube <sup>1)</sup>	Process connection	Contact L1	Contact L2	Contact L3	Contact L4 <sup>2)</sup>	Electr. connection	ATEX
<b>M20-</b> (1.4404 float)	<b>E</b> = 1.4404	<b>R15</b> = G 1/2 <b>XXX</b> = see following pages for different connection heads	<b>S</b> = N/O <b>C</b> = N/C <b>W</b> = SPDT	<b>X</b> = without <b>S</b> = N/O <b>C</b> = N/C <b>W</b> = SPDT	<b>X</b> = without <b>S</b> = N/O <b>C</b> = N/C <b>W</b> = SPDT	<b>X</b> = without <b>S</b> = N/O <b>C</b> = N/C	<b>O</b> = without cable <b>P</b> = 1 m PVC-cable <b>S</b> = 1 m silicone cable <b>Y</b> <sup>3)</sup> = special length and type	<b>O</b> = without <b>E</b> = ATEX Ex ia <b>F</b> <sup>4)</sup> = ATEX Ex d

<sup>1)</sup> Please specify in writing total and contact lengths  
<sup>2)</sup> Max. number of contacts 4 pieces N/O, N/C, or 3 SPDT contacts.  
<sup>3)</sup> Please specify in writing length and type of cable  
<sup>4)</sup> Only available for head model »L«

Order from: **C A Briggs Company**  
 622 Mary Street; Suite 101; Warminster, PA 18974  
 Phone: 267-673-8117 - Fax: 267-673-8118  
[Sales@cabriggs.com](mailto:Sales@cabriggs.com) - [www.cabriggs.com](http://www.cabriggs.com)



**Model 1**



**PP screwed cover housing**

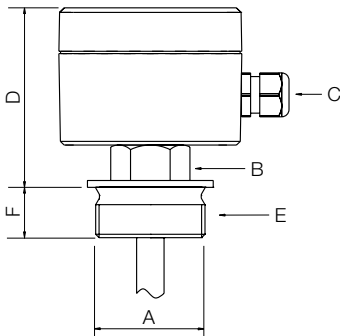
**Dimensions and materials**

Model	Process connection (A) <sup>1)</sup>	Width across flats (B)	Electrical connection (C)	Overall height (D)	Screwed fitting (E)	Thread length (F) <sup>2)</sup>	t <sub>max</sub>
1...	...R6 = G 1	27 AF	PG16	100 mm	PP	18 mm	90°C
	...R8 = G 1½	30 AF				22 mm	
	...R9 = G 2	36 AF				24 mm	
	...N6 = 1" NPT	27 AF				25 mm	
	...N8 = 1½" NPT	30 AF				25 mm	
	...N9 = 2" NPT	36 AF				27 mm	

<sup>1)</sup> Size of process connection must be according with float size

<sup>2)</sup> Given lengths L0, L1... are always with thread included.

**Model 2/4**



**Aluminium housing**

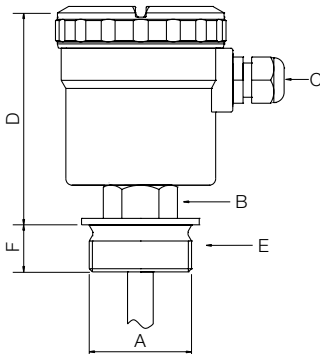
**Dimensions and materials**

Model	Process connection (A) <sup>1)</sup>	Width across flats (B)	Electrical connection (C)	Overall height (D)	Screwed fitting (E)	Thread length <sup>2)</sup> (F)	t <sub>max</sub>
2...	...R6 = G 1	27 AF	M16 x 1.5	73 mm	Brass	18 mm	90°C
	...R8 = G 1½	30 AF				22 mm	
	...R9 = G 2	36 AF				24 mm	
	...N6 = 1" NPT	27 AF				25 mm	
	...N8 = 1½" NPT	30 AF				25 mm	
	...N9 = 2" NPT	36 AF				27 mm	
4...	...R6 = G 1	27 AF	M16 x 1.5	73 mm	1.4404	18 mm	90°C
	...R8 = G 1½	30 AF				22 mm	
	...R9 = G 2	36 AF				24 mm	
	...N6 = 1" NPT	27 AF				25 mm	
	...N8 = 1½" NPT	30 AF				25 mm	
	...N9 = 2" NPT	36 AF				27 mm	

<sup>1)</sup> Size of process connection must be according with float size

<sup>2)</sup> Given lengths L0, L1... are always with thread included.

**Model 3**



**PA screwed cover housing**

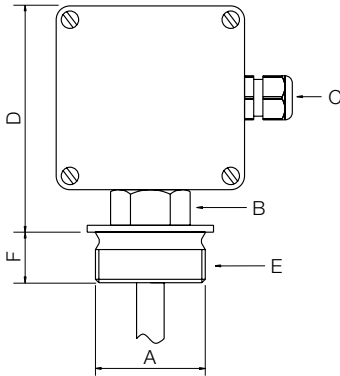
**Dimensions and materials**

Model	Process connection (A) <sup>1)</sup>	Width across flats (B)	Electrical connection (C)	Overall height (D)	Screwed fitting (E)	Thread length <sup>2)</sup> (F)	t <sub>max</sub>
3...	...R6 = G 1	27 AF	M16 x 1.5	104 mm	1.4404	18 mm	90°C
	...R8 = G 1½	30 AF				22 mm	
	...R9 = G 2	36 AF				24 mm	
	...N6 = 1" NPT	27 AF				25 mm	
	...N8 = 1½" NPT	30 AF				25 mm	
	...N9 = 2" NPT	36 AF				27 mm	

<sup>1)</sup> Size of process connection must be according with float size

<sup>2)</sup> Given lengths L0, L1... are always with thread included.

**Model 5**



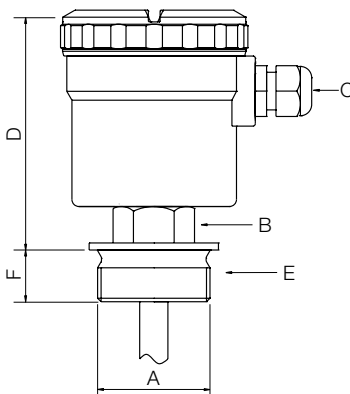
**ABS Housing**

**Dimensions and materials**

Model	Process connection (A) <sup>1)</sup>	Width across flats (B)	Electrical connection (C)	Overall height (D)	Screwed fitting (E)	Thread length <sup>2)</sup> (F)	t <sub>max</sub>
5...	...R6 = G 1	27 AF	M16 x 1.5	100 mm	PVC	18 mm	55°C
	...R8 = G 1½	30 AF				22 mm	
	...R9 = G 2	36 AF				24 mm	
	...N6 = 1" NPT	27 AF				25 mm	
	...N8 = 1½" NPT	30 AF				25 mm	
	...N9 = 2" NPT	36 AF				27 mm	

<sup>1)</sup> Size of process connection must be according with float size  
<sup>2)</sup> Given lengths L0, L1... are always with thread included.

**Model 6**



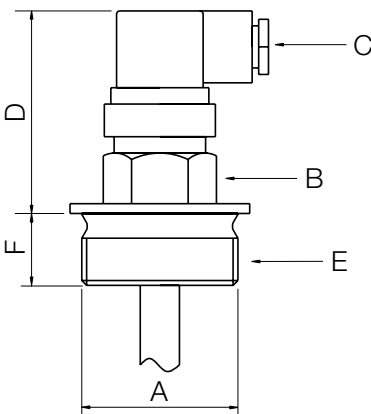
**PA Screwed cover housing**

**Dimensions and materials**

Model	Process connection (A) <sup>1)</sup>	Width across flats (B)	Electrical connection (C)	Overall height (D)	Screwed fitting (E)	Thread length <sup>2)</sup> (F)	t <sub>max</sub>
6...	...R8 = G 1½	30 AF	M16 x 1.5	104 mm	PVDF	22 mm	90°C
	...N8 = 1½" NPT					25 mm	

<sup>1)</sup> Size of process connection must be according with float size  
<sup>2)</sup> Given lengths L0, L1... are always with thread included.

**Model 7/8**



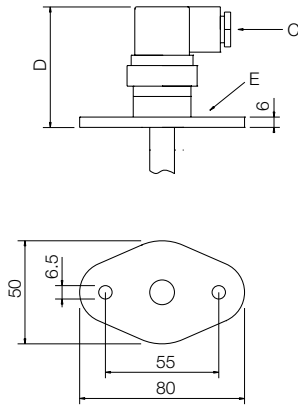
**Threaded process connection with PA connector DIN 43650 (3 pin), DIN VDE 0627 (6 pin)**

**Dimensions and materials**

Model	Process connection (A) <sup>1)</sup>	Width across flats (B)	Electrical connection (C)	Overall height (D)	Screwed fitting (E)	Thread length <sup>2)</sup> (F)	t <sub>max</sub>
7... (3-pin)	...R6 = G 1	27 AF	M16 x 1.5	65 mm	PP	18 mm	90°C
	...R8 = G 1½	30 AF				22 mm	
	...R9 = G 2	36 AF				24 mm	
	...N6 = 1" NPT	27 AF				25 mm	
	...N8 = 1½" NPT	30 AF				25 mm	
	...N9 = 2" NPT	36 AF				27 mm	
8... (6-pin)	...R6 = G 1	27 AF	PG7	50 mm	PP	18 mm	90°C
	...R8 = G 1½	30 AF				22 mm	
	...R9 = G 2	36 AF				24 mm	
	...N6 = 1" NPT	27 AF				25 mm	
	...N8 = 1½" NPT	30 AF				25 mm	
	...N9 = 2" NPT	36 AF				27 mm	

<sup>1)</sup> Size of process connection must be according with float size  
<sup>2)</sup> Given lengths L0, L1... are always with thread included.

**Model 7PP, 8PP**

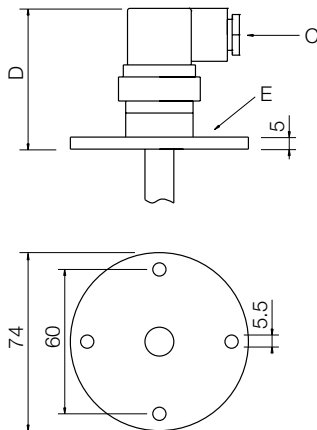


**Oval flange process connection with PA connector DIN 43650 (3 pin), DIN VDE 0627 (6 pin)**

**Dimensions and materials**

Model	Electrical connection (C)	Overall height (D)	Oval flange (E)	t <sub>max</sub>
7PP (3-pin)	M16 x 1.5	65 mm	PP	90°C
8PP (6-pin)	PG7	45 mm	PP	90°C

**Model 7MS...8PV**

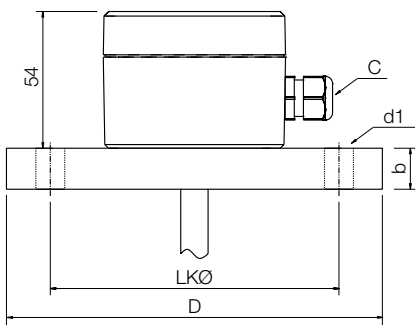


**Round flange process connection with PA connector DIN 43650 (3 pin), DIN VDE 0627 (6 pin)**

**Dimensions and materials**

Model	Flange (E)	Overall height (D)	Electrical connection (C)	t <sub>max</sub>
7...	...MS = Brass	65 mm	3-pole M16 x 1.5	90°C
	...VA = 1.4404			
	...PV = PVC			
8...	...MS = Brass	45 mm	6-pole PG7	90°C
	...VA = 1.4404			
	...PV = PVC			

**Model 9**



**Flanged process connection acc. DIN EN1092-1 PN16 / ANSI B 16.5 150 lbs with aluminium housing**

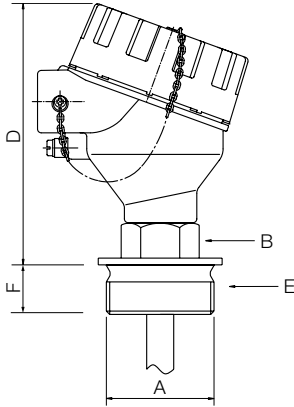
**Dimensions and materials**

Model	Flange size 1.4404	D	b	LK Ø	d1	Electrical connection (C)	t <sub>max</sub>
9...	...F8 = DN40	150	16	110	4 x Ø 18	M16 x 1.5	90°C
	...F9 = DN50	165	18	125	4 x Ø 18		
	...F0 = DN65	185	18	145	4 x Ø 18		
	...FB = DN80	200	20	160	4 x Ø 18		
	...FC = DN100	220	20	180	8 x Ø 18		
	...FD = DN125	250	22	210	8 x Ø 18		
	...A8 = 1½"	127	17.5	98.6	4 x Ø 15.7		
	...A9 = 2"	152.4	19.1	120.7	4 x Ø 19.1		
	...A0 = 2½"	177.8	22.4	139.7	4 x Ø 19.1		
	...AB = 3"	190.5	23.9	152.4	4 x Ø 19.1		
	...AV = 3½"	215.0	23.9	177.8	8 x Ø 19.1		
	...AC = 4"	228.6	23.9	190.5	8 x Ø 19.1		

**Model L**

**Aluminium housing, for application ATEX II GD Ex d IIC T1...T6**

**Dimensions and materials**



Model	Process connection (A) <sup>1)</sup>	Width across flats (B)	Electrical connection (C)	Overall height (D)	Screwed fitting (E)	Thread length <sup>2)</sup> (F)	t <sub>max</sub>
L...	...R6 = G 1	27 AF	M20 x 1.5	145 mm	1.4404	18 mm	90°C
	...R8 = G 1½	30 AF				22 mm	
	...R9 = G 2	36 AF				24 mm	
	...N6 = 1" NPT	27 AF				25 mm	
	...N8 = 1½" NPT	30 AF				25 mm	
	...N9 = 2" NPT	36 AF				27 mm	

<sup>1)</sup> Size of process connection must be according with float size

<sup>2)</sup> Given lengths L0, L1... are always with thread included.

**Heads Selector for Magnetic Level Model M**

Heads	M01 Ø18 mm	M02 Ø26 mm	M03 Ø26 mm	M04 Ø30 mm	M05 Ø42 mm	M06 Ø40 mm	M07 Ø42 mm	M08 Ø38 mm	M10 Ø52 mm	M11 Ø52 mm	M13 Ø38 mm	M16 Ø60 mm	M20 Ø95 mm
1R6	x	x	x	x									
1R8	x	x	x	x	x	x	x	x			x		
1R9	x	x	x	x	x	x	x	x	x	x	x		
1N6	x	x	x										
1N8	x	x	x	x	x	x	x	x			x		
1N9	x	x	x	x	x	x	x	x	x	x	x		
2R6	x	x	x	x									
2R8	x	x	x	x	x	x	x	x			x		
2R9	x	x	x	x	x	x	x	x	x	x	x		
2N6	x	x	x										
2N8	x	x	x	x	x	x	x	x			x		
2N9	x	x	x	x	x	x	x	x	x	x	x		
3R6	x	x	x	x									
3R8	x	x	x	x	x	x	x	x			x		
3R9	x	x	x	x	x	x	x	x	x	x	x		
3N6	x	x	x										
3N8	x	x	x	x	x	x	x	x			x		
3N9	x	x	x	x	x	x	x	x	x	x	x		
4R6	x	x	x	x									
4R8	x	x	x	x	x	x	x	x			x		
4R9	x	x	x	x	x	x	x	x	x	x	x		
4N6	x	x	x										
4N8	x	x	x	x	x	x	x	x			x		
4N9	x	x	x	x	x	x	x	x	x	x	x		
5R6	x	x	x	x									
5R8	x	x	x	x	x	x	x	x			x		
5R9	x	x	x	x	x	x	x	x	x	x	x		



Heads Selector for Magnetic Level Model M (continued)

Heads	M01 Ø18 mm	M02 Ø26 mm	M03 Ø26 mm	M04 Ø30 mm	M05 Ø42 mm	M06 Ø40 mm	M07 Ø42 mm	M08 Ø38 mm	M10 Ø52 mm	M11 Ø52 mm	M13 Ø38 mm	M16 Ø60 mm	M20 Ø95 mm
5N6	x	x	x										
5N8	x	x	x	x	x	x	x	x			x		
5N9	x	x	x	x	x	x	x	x	x	x	x		
6R8	x	x	x	x	x	x	x	x			x		
6N8	x	x	x	x	x	x	x	x			x		
7R6	x	x	x	x									
7R8	x	x	x	x	x	x	x	x			x		
7R9	x	x	x	x	x	x	x	x	x	x	x		
7N6	x	x	x										
7N8	x	x	x	x	x	x	x	x			x		
7N9	x	x	x	x	x	x	x	x	x	x	x		
7PP	x	x	x	x	x		x	x			x		
7MS	x	x	x	x	x	x	x	x			x		
7VA	x	x	x	x	x	x	x	x			x		
7PV	x	x	x	x	x	x	x	x			x		
8R6	x	x	x	x									
8R8	x	x	x	x	x	x	x	x			x		
8R9	x	x	x	x	x	x	x	x	x	x	x		
8N6	x	x	x										
8N8	x	x	x	x	x	x	x	x			x		
8N9	x	x	x	x	x	x	x	x	x	x	x		
8PP	x	x	x	x	x		x	x			x		
8MS	x	x	x	x	x	x	x	x			x		
8VA	x	x	x	x	x	x	x	x			x		
8PV	x	x	x	x	x	x	x	x			x		
For flanged connection, please ensure that float diameter is less than flange hole diameter!													
9F8	x	x	x	x				x			x		
9F9	x	x	x	x	x	x	x	x			x		
9F0	x	x	x	x	x	x	x	x	x	x	x	x	
9FB	x	x	x	x	x	x	x	x	x	x	x	x	
9FC	x	x	x	x	x	x	x	x	x	x	x	x	x
9FD	x	x	x	x	x	x	x	x	x	x	x	x	x
9A8	x	x	x	x				x					
9A9	x	x	x	x	x	x	x	x			x		
9A0	x	x	x	x	x	x	x	x	x	x	x	x	
9AB	x	x	x	x	x	x	x	x	x	x	x	x	
9AV	x	x	x	x	x	x	x	x	x	x	x	x	x
9AC	x	x	x	x	x	x	x	x	x	x	x	x	x

Order from: **C A Briggs Company**

622 Mary Street; Suite 101; Warminster, PA 18974

Phone: 267-673-8117 - Fax: 267-673-8118

[Sales@cabriggs.com](mailto:Sales@cabriggs.com) - [www.cabriggs.com](http://www.cabriggs.com)

**Supplementary devices:**
**Contact protection relays/isolation switching amplifier**

We recommend the use of contact protection relays in conjunction with sealed contacts.

Contact protection relays have the following advantages:

- No contact overloads arising from sparking and high currents, which can, for example, be caused by self-induced emf when switching solenoid valves.
- Float switches are electrically isolated from the high voltage power supply system.
- Protection for persons who come into contact with liquids according to VDE 0100.
- Standard models:
  - Model MSR 10, 1 channel
  - Model MSR 20, 2 channels
  - Model MSR 11, 1 changeover bistable
- ATEX-models:
  - Model KFD2-SR2-Ex1.W, 1 channel, 1 relay output, supply 20...30 V<sub>DC</sub>
  - Model KFA6-SR2-Ex1.W, 1 channel, 1 relay output, supply 207...253 V<sub>AC</sub>
  - Model KFD2-SR2-Ex2.W, 2 channels, 2 relays output, supply 20...30 V<sub>DC</sub>
  - Model KFA6-SR2-Ex2.W, 2 channels, 2 relays output, supply 207...253 V<sub>AC</sub>

**Technical Details**
**Model MSR**

Power supply: 230 V<sub>AC</sub> -10/+6% 50 - 60 Hz  
 Power consumption: max. 6 VA  
 Relay output: MSR-010  
 (1 floating changeover contact)  
 MSR-020  
 (2 floating changeover contact)  
 MSR-011  
 (1 floating changeover contact  
 bistable)  
 max. 250 V<sub>AC</sub>, 8 A

Details: see datasheet

**Model KFA6-SR2-Ex2.W (Double channel)**

ATEX-approval:  II (1) G [Ex ia] IIC,  
 II (1) D [Ex ia] IIIC

Ex / I.S. data, ATEX:

U<sub>0</sub>: 10.6 V  
 I<sub>0</sub>: 19.1 mA  
 P<sub>0</sub>: 51 mW  
 U<sub>m</sub>: 253 V<sub>AC</sub>


Power supply: 207...253 V<sub>AC</sub>, 45...65 Hz

Power consumption: max. 1 W

Relay Output: max. 253 V<sub>AC</sub>, 2 A

Details: see datasheet

**Model KFD2-SR2-Ex2.W (Double channel)**

ATEX-approval:  II (1) G [Ex ia] IIC,  
 II (1) D [Ex ia] IIIC

Ex / I.S. data, ATEX:

U<sub>0</sub>: 10.5 V  
 I<sub>0</sub>: 13 mA  
 P<sub>0</sub>: 34 mW  
 U<sub>m</sub>: 253 V<sub>AC</sub>  
 Power supply: 20...30 V<sub>DC</sub>  
 Power consumption: max. 0.9 W  
 Relay Output: max. 253 V<sub>AC</sub>, 2 A  
 Details: see datasheet


**Model KFA6-SR2-Ex1.W (Single channel)**

ATEX-approval:  II (1) G [Ex ia] IIC,  
 II (1) D [Ex ia] IIIC

Ex / I.S. data, ATEX-:

U<sub>0</sub>: 10.6 V  
 I<sub>0</sub>: 19.1 mA  
 P<sub>0</sub>: 51 mW  
 U<sub>m</sub>: 253 V<sub>AC</sub>  
 Power supply: 207...253 V<sub>AC</sub>, 45...65 Hz  
 Power consumption: max. 1 W  
 Relay Output: max. 253 V<sub>AC</sub>, 2A  
 Details: see datasheet

**Model KFD2-SR2-Ex1.W (Single channel)**

ATEX-approval:  II (1) G [Ex ia] IIC,  
 II (1) D [Ex ia] IIIC

Ex / I.S. data, ATEX-:

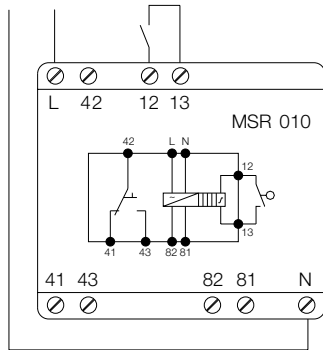
U<sub>0</sub>: 10.5 V  
 I<sub>0</sub>: 13 mA  
 P<sub>0</sub>: 34 mW  
 U<sub>m</sub>: 253 V<sub>AC</sub>  
 Power supply: 20...30 V<sub>DC</sub>, 45...65 Hz  
 Power consumption: max. 0.9 W  
 Relay Output: max. 253 V<sub>AC</sub>, 2A  
 Details: see datasheet



**Standard models**

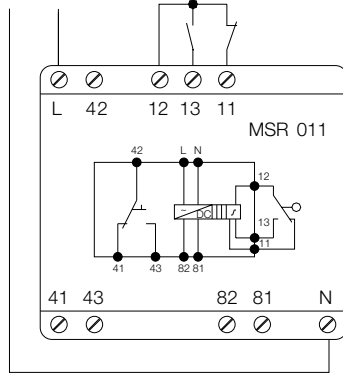
**MSR010**

Supply 230 V<sub>AC</sub> M SERIES CONTACT



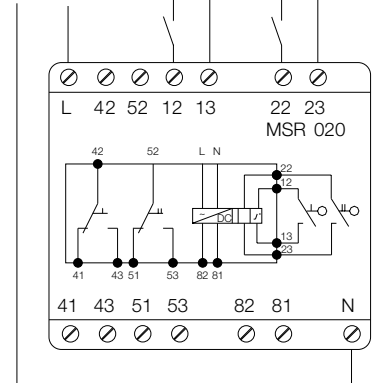
**MSR011**

Supply 230 V<sub>AC</sub> M SERIES CONTACT



**MSR020**

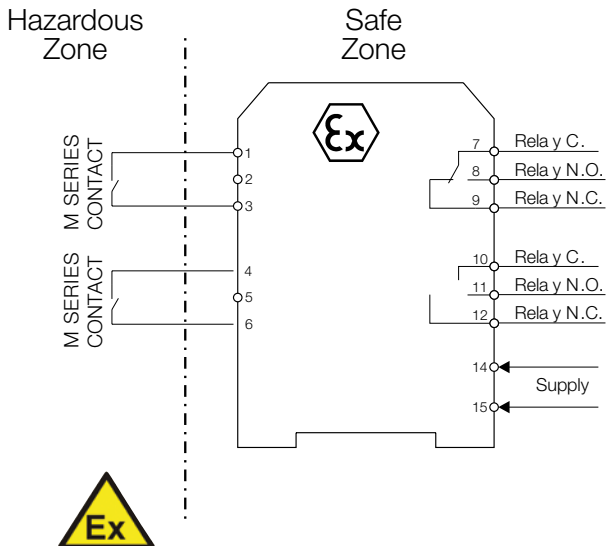
Supply 230 V<sub>AC</sub> M SERIES CONTACT M SERIES CONTACT



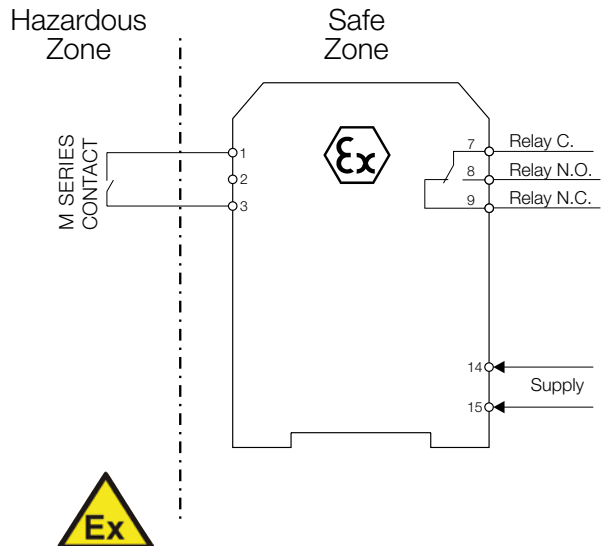
**ATEX Ex ia models**

**KFD2-SR2-Ex2.W (Double channel)**  
**KFA6-SR2-Ex2.W (Double channel)**

**KFD2-SR2-Ex1.W (Single channel)**  
**KFA6-SR2-Ex1.W (Single channel)**



KFD2-SR2-Ex2.W supply: 20 ... 30 V<sub>DC</sub>  
KFA6-SR2-Ex2.W supply: 207 ... 253 V<sub>AC</sub>



KFD2-SR2-Ex1.W supply: 20 ... 30 V<sub>DC</sub>  
KFA6-SR2-Ex1.W supply: 207 ... 253 V<sub>AC</sub>

Order from: **C A Briggs Company**

622 Mary Street; Suite 101; Warminster, PA 18974

Phone: 267-673-8117 - Fax: 267-673-8118

[Sales@cabriggs.com](mailto:Sales@cabriggs.com) - [www.cabriggs.com](http://www.cabriggs.com)