

**DVW  
VORTEX FLOWMETER AND SWITCH**



Flow  
Pressure  
Level  
Temperature  
measurement  
monitoring  
control

- Measuring Ranges 0.5-4 Liter/Min. to 5-40 Liter/Min. Water
- Accuracy  $\pm 5\%$  of Full Scale
- LED Display and 2 Switches
- Compact or Remote Mounted Versions



S5



Order from: **C A Briggs Company**  
622 Mary Street; Suite 101; Warminster, PA 18974  
Phone: 267-673-8117 - 800-352-6265; Fax: 267-673-8118  
[Sales@cabriggs.com](mailto:Sales@cabriggs.com) - [www.cabriggs.com](http://www.cabriggs.com)

Model:  
DVW



### Features

- Measuring Ranges 0.5-4 Liter/Min. to 5-40 Liter/Min. Water
- Accuracy ±5% of Full Scale
- LED Display and 2 Switches
- Compact or Remote Mounted Versions

The DVW series vortex flowmeter and switch is ideal for measuring low flows of water and low viscosity liquids where monitoring flow switchpoints is required. The DVW operates on the vortex shedding principle. This principle employs a bluff body in the flow stream. As the liquid flows past the bluff body, turbulence and a pressure oscillation is formed behind the body. The frequency of this pressure oscillation is proportional to liquid flowrate. A pressure sensor behind the bluff body measures the oscillations. The vortex principle measures flow with no moving parts which makes the DVW extremely reliable. The flow-through design has a minimal pressure drop. The units features an LED flowrate display and two PNP transistor switches with programmable setpoint and hysteresis. Versions with compact or remote mounted sensors are available.



**KOBOLD DVW Vortex Flowmeter and Switch**

### Specifications

**Measuring Principle:** Vortex shedding principle

**Measuring Range:** 0.5-4 LPM to 5-40 LPM water

**Accuracy:** ±5% of full scale

**Repeatability:** ±3% of full scale

**Temperature Effect:** ±5% of full scale @ 0-50°C

**Viscosity Range:** 3 cSt. Max.

**Maximum Pressure:** 70 PSIG

**Operating Temperature Range:** 32-120°F

**Wetted Materials**

**Body:** Stainless Steel

**Sensor:** Ryton (PPS)

**O-ring:** Buna-N

**Response Time:** 1 second

**Display Type:** 3-digit LED flow rate display

**Power Requirement:** 12-24 VDC, 70 mA Max. plus switch loads

**Switches:** 2 PNP open collectors, 80 mA Max. w/ programmable switchpoint and hysteresis

**Electrical Connection:** Micro-DC, 4-pin, male

**Electrical Protection:** NEMA 4X/IP 65

**Vibration**

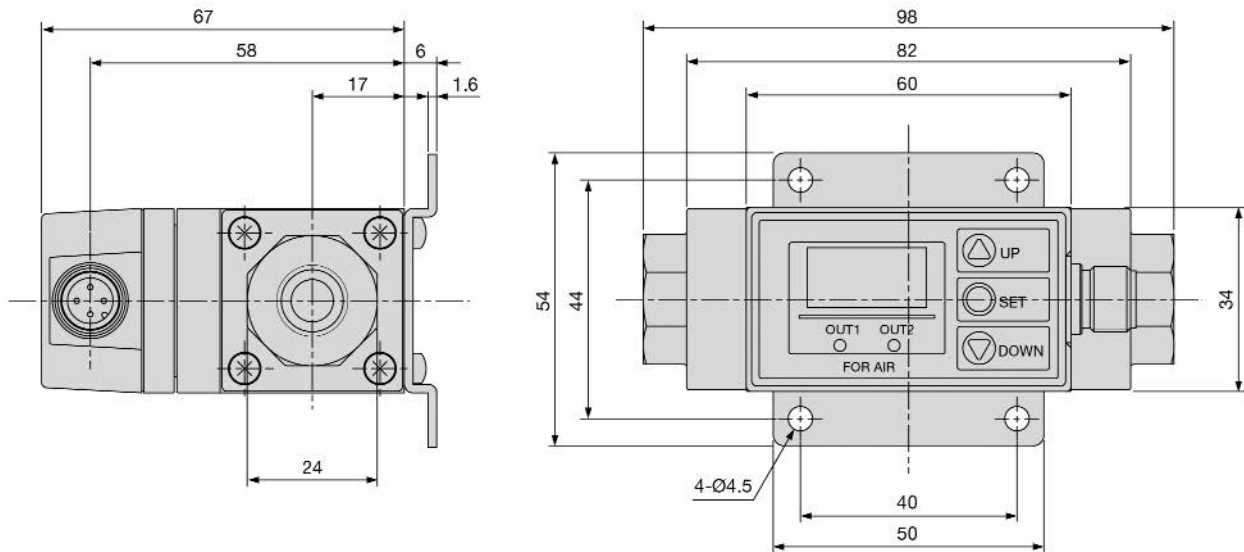
**Resistance:** 10-500 Hz, 1.5 mm amplitude 10 G Max. acceleration in X, Y and Z axis.

Order Numbers for Standard Types

Description	Type	Flow Range/ Fitting	Max. Pressure Drop
Compact version, flowmeter and controller mounted on sensor	DVW-12...		
Remote mounted sensor (must be combined with one of the displays below)	DVW-22...	04N10 = 0.5-4 LPM water; 3/8" NPT	4.4 PSI
Wall or DIN-rail mount display/controller for DVK-22 sensor	DVW-32...	16N15 = 2-16 LPM water; 1/2" NPT	6.5 PSI
Panel mount display/controller for DVK-22 sensor	DVW-42...	40N20 = 5-40 LPM water, 3/4" NPT	10.1 PSI
<b>Accessories</b>			
Part Number: 807.037 - 4 pin Micro-DC mating plug with 6 ft. cable			

Example: DVW-2204N10 with DVW-4204N10

DIMENSIONS -Compact Version  
(millimeters)



S5



DIMENSIONS (millimeters)

Remote Sensor

