

**Pressure Gauge**  
with Integral Stainless Steel Diaphragm



measuring  
•  
monitoring  
•  
analyzing

**DPF76**



- All-Stainless Design for High Corrosion Resistance
- Integral Diaphragm Element
- Insensitive to Machine Vibration
- High Resistance to Overpressure
- Optional Glycerine Filled Indicator



KOBOLD companies worldwide:

Order from: **C A Briggs Company**  
622 Mary Street; Suite 101; Warminster, PA 18974  
Phone: 267-673-8117 - Fax: 267-673-8118  
[Sales@cabriggs.com](mailto:Sales@cabriggs.com) - [www.cabriggs.com](http://www.cabriggs.com)



**Pressure Gauge with Integral SS Diaphragm Model DPF76**

**Description**

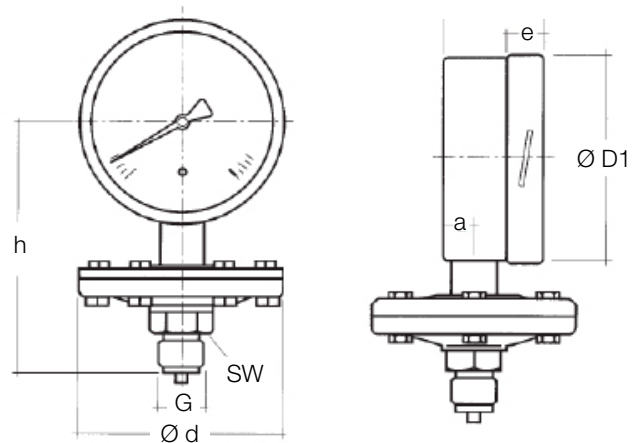
KOBOLD diaphragm pressure gauges are used for media where Bourdon tube pressure gauges or pneumatic capsule gauges are challenged. An internal diaphragm is subjected to pressure from one side. The pressure bends the diaphragm and the pressure indicator mechanism converts the resulting displacement into a corresponding movement of the pointer. Due to the shape of the diaphragm and that it is securely clamped about its perimeter, a very stable mechanical system is produced that is much less susceptible to vibration than standard Bourdon tube gauges.



**Specifications**

- Ranges:** -30" Hg...300 PSIG (See Table)
- Overpressure**
- Protection, Momentary:** 1.3 x Range Max.
- Sensing Element:** Diaphragm
- Accuracy Class:** DIN Class 1.6
- Operating Temperature**
- Media:** Freezing...176 °F
- Ambient:** -4...176 °F
- Fittings:** 1/2" MNPT
- Materials of Construction**
- Wetted Parts**
- Element:** 316-Ti SS / Duratherm
- Fitting:** 316-Ti SS
- Exterior**
- Movement:** Stainless Steel
- Housing:** 304 SS
- Bezel:** 304 SS
- Pointer:** Black Aluminum
- Indicator Dial:** White Aluminum
- Gauge Window:** Instrument Glass
- Options:** Glycerine Dampened Indicator Assembly

**Dimensions**



Dial Face	Dimensions (inch)								Weight (lbs)
	Ø d	a	b	Ø D1	e	G	h±2	SW	
4 inch	3.94	0.61	1.97	3.94	0.69	1/2" NPT	4.92	(1.06) 0.87	2.1
6 inch	3.94	0.61	1.97	6.30	0.69	1/2" NPT	6.89	(1.06) 0.87	3.0

DPF76 Ordering Information			
DPF76-	= Diaphragm Pressure Gauge for Intermediate Pressures		
..1	= 100 mm (4 inch) Dial Face, with Stainless Steel Housing		
..2	= 160 mm (6 inch) Dial Face, with Stainless Steel Housing		
..H00	= - 30"...0" Hg	..210	= 100 PSIG
..115	= 15 PSIG	..216	= 160 PSIG
..130	= 30 PSIG	..220	= 200 PSIG
..160	= 60 PSIG	..230	= 300 PSIG
..F	= Glycerine Dampened Indicator Assembly		
DPF76 -	2	130	F
Sample DPF76 Ordering Code			

Order from: **C A Briggs Company**

622 Mary Street; Suite 101; Warminster, PA 18974

Phone: 267-673-8117 - Fax: 267-673-8118

[Sales@cabriggs.com](mailto:Sales@cabriggs.com) - [www.cabriggs.com](http://www.cabriggs.com)

No responsibility taken for errors; subject to change without prior notice.