

High Precision Turbine Flow Sensor For Liquids



measuring
•
monitoring
•
analyzing

SFL



- Measuring Range:
0.5...20 l/min (Water)
- Measuring Accuracy:
 $\pm 1\%$ of Full Scale
- p_{\max} : 250 bar; t_{\max} : 90 °C
- Viscosity Range:
Low Viscosity
- Connection: G $\frac{3}{8}$
- Materials:
303 SS, PVDF
- Output: Pulse
- Negligible Wear
- Media: Infrared Light
Transmissivity



Order from: **C A Briggs Company**
622 Mary Street; Suite 101; Warminster, PA 18974
Phone: 267-673-8117 - Fax: 267-673-8118
Sales@cabriggs.com - www.cabriggs.com

KOBOLD Instruments, Inc.
1801 Parkway View Drive
Pittsburgh, PA 15205



High Precision Turbine Flow Sensor Model SFL

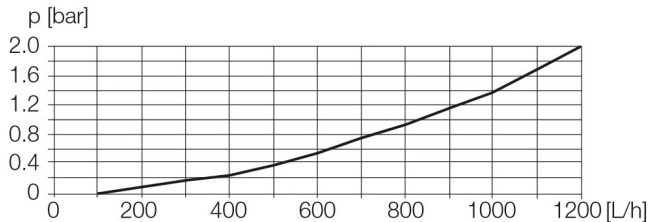
Description

The SFL high precision turbine wheel flow sensor is ideal for infrared transmissive liquids that are free from solids (solids < 20 µm). The plastic or stainless steel models are able to handle aggressive media. The SFL technology ensures a long service life, as the turbine wheel motion is sensed via a manner involving no contact with the infrared diodes. The resulting output signal is linear and proportional to the volumetric flow. The SFL may be installed in any position.

Technical Details

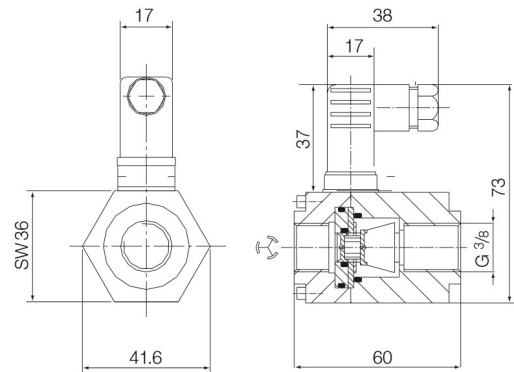
Reaction Value:	Approx. 0.08 l/min
Max. Media Temp.:	-20... 90 °C
Max. Operating Pressure:	16 bar (SFL-13) 250 bar (SFL-12)
Measuring Accuracy:	±1 % of full scale
Repeatability:	±0.3 % of reading
Interchangeability:	±2.5 % of reading
Power Supply:	5...24 V _{DC} (12...24 mA)
Output Signal:	Pulses approx. 50...2100 Hz (square)
K Factor:	6250 pulses/liters
Materials:	PVDF case and LCP rotor or 303 stainless steel (case) and LCP rotor O-ring FPM(SFL-12) or EPDM (SFL-13)
Mechanical Connection:	G 3/8 male or G 3/8 female (stainless steel only)
Electrical Connection:	3-core ribbon cable (approx. 15 cm) encapsulated in the case (SFL-13) Hirschmann connector GDSN207 (SFL-12)

Pressure Loss

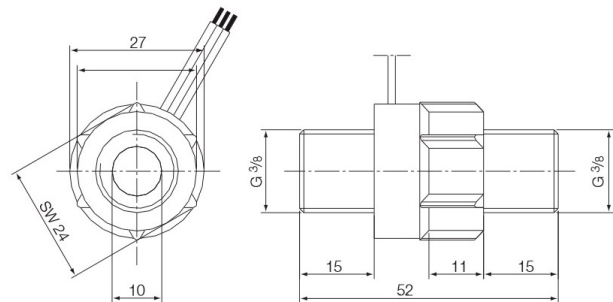


Dimensions (mm)

Model: SFL-1220 R10



Model: SFL-1320 R10



Order Details (Example: SFL-1220R10)

Model	Material Housing/Rotor	Connection	Measuring Range l/min (Water)	Pulse Rate	t _{max}	P _{max}
SFL-1220 R10	303 SS/Vectra	G 3/8, female	0.5...20	6250 pulses/l	-20...90 °C	250 bar
SFL-1320 R10	PVDF/Vectra	G 3/8, male	0.5...20	6250 pulses/l	-20...90 °C	16 bar