

Low Volume, Rotating Vane Flowmeter for Liquids



measuring
•
monitoring
•
analyzing

DPL



- Ranges: 0.4...8.0 to 16...400 GPH
- Linearity: $\pm 1\%$
- Max. Pressure: 145 PSIG
- Max. Temperature: 158 °F
- Connection: G 1/2, Hose Barb
- Square Wave Pulse, Analog, or Switch Outputs
- PP Housing, Sapphire Bearings



Order from: **C A Briggs Company**

622 Mary Street; Suite 101; Warminster, PA 18974

Phone: 267-673-8117 - Fax: 267-673-8118

Sales@cabriggs.com - www.cabriggs.com

KOBOLD Instruments, Inc.
1801 Parkway View Drive
Pittsburgh, PA 15205



Description

The KOBOLD DPL is ideal for applications requiring a low cost, accurate means of measuring transparent liquids. With all wetted parts constructed of synthetic materials, it resists aggressive media. The compact size is ideal for situations providing minimum installation space. It is suited for a variety of industrial, commercial, and laboratory applications. The principle of operation is as follows: a jet of liquid is directed at a free running turbine in a specially shaped chamber. The blade interrupts an internal infra-red beam and converts this into a pulse output with a frequency that is directionally proportional to the rate of flow. Sapphire bearings ensure high linearity and durability.



Technical Details

Accuracy: ± 2.5% of Full Scale
± 5% of Full Scale (OEM Version)

Linearity: ± 1% of Full Scale

Media Temperature: -40...158 °F

Ambient Temperature: -22...140 °F

Max. Pressure: 145 PSIG

Protection: IP 65

Materials

Housing: Polypropylene

Rotating Vane: Polypropylene

Axle/Bearing: Sapphire

Vane Mount: Polysulfone

Gasket: NBR, FKM, or EPDM

Frequency Output (..K000, OEM without CE-Mark)

Power Supply: 4.5 - 12 VDC

Supply Current: ± 7 mA

Signal Amp. High: Approx. Power Supply

Signal Amp. Low: ≤ 0.2 V

Trans. Cut-Off Voltage: 3 V Max.

Trans. Supply Current: 10 - 12 mA

Output Loss: Max. 2.5 mWatt

Electrical Connection: 5' Cable, 5-wire

Pulse Output: NPN, Open Collector, Max. 10 mA

Frequency Output (..F300)

Power Supply: 24 VDC ± 20%

Supply Current: 40 - 50 mA

Signal Amp. High: Approx. Power Supply

Signal Amp. Low: ≤ 0.2 V

Output Loss: Max. 2.5 mWatt

Electrical Connection: Plug M12x1

Pulse Output: PNP, Open Collector, Max. 20 mA

Analog Output (..L343, ..L443)

Power Supply: 24 VDC ± 20%

Output: 4-20 mA, 3-wire

Max. Load: 500 Ω

Electrical Connection: Plug Connector M12x1
or DIN 43 650

Option: Plug-on Display (DIN 43 650 Only)

Compact Electronics (..C3xx)

Display: 3-Digit, LED

Analog Output: 4-20 mA, Adjustable, Max. 500 Ω

Switching Outputs: 1 (2) Semiconductor, PNP or
NPN, Factory Set

Contact Operation: Programmable N/C or N/O

Setting: Via 2 Buttons

Power Supply: 24 VDC ± 20%, Approx. 100 mA,
3-wire

Electrical Connection: Plug Connector M12x1



Order Details (Example: DPL-1PU1 G4 K000)

Range (GPH)	Nominal Frequency at Max. Flow (Hz)	Max. Diff. Pressure (PSI)	Model / Gasket Material			Connection	Electronics
			NBR	FKM	EPDM		
0.4...8.0	272	11	DPL-1PU1..	DPL-1VU1..	DPL-1EU1..	..G4.. = G 1/2 Male ..S4.. = Hose Barbs, 1/2" PVC	..K000 = Frequency Output, NPN, w 5' Cable (OEM), no CE-mark ..F300 = Frequency Output, Plug M12x1, PNP ..L343 = 4-20 mA Output, M12x1 Plug ..L443 = 4-20 mA Output, DIN 43 650 Plug ..C30R* = LED Display, 2X Open Collector, PNP, Plug M12x1 ..C34P* = LED Display, 4-20 mA, 1 Open Collector, PNP, Plug M12x1
0.8...28	471	11	DPL-1PU2..	DPL-1VU2..	DPL-1EU2..		
3.0...95	505	10	DPL-1PU3..	DPL-1VU3..	DPL-1EU3..		
6.0...190	265	15	DPL-1PU4..	DPL-1VU4..	DPL-1EU4..		
16...400	399	19	DPL-1PU5..	DPL-1VU5..	DPL-1EU5..		

Accessories: Part Number 807.037 = Mating 4 pin Micro-DC connector with 6 ft. cable for output ..F300 & ..L343
 Part Number 807.007 = Mating 5 pin Micro-DC connector with 6 ft. cable for output ..C34P, & ..C30R

* Please specify flow direction when ordering

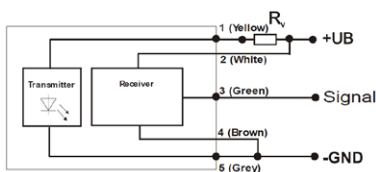
Plug-On Display: for Model DPL-..L443 (4-20 mA Output, DIN Plug Connector)

Description	Model Number
4-Digit LED, Plug Connector DIN 43 650, 3-wire, Power Supply Via Analog Output	AUF-3000

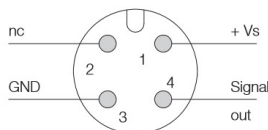


Electrical Connection

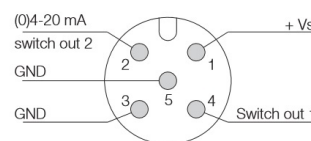
DPL-..K000



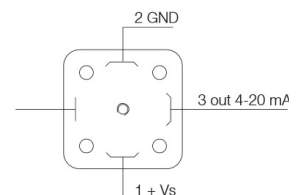
DPL-..L343, ..F300



DPL-..C3xx



DPL-..L443

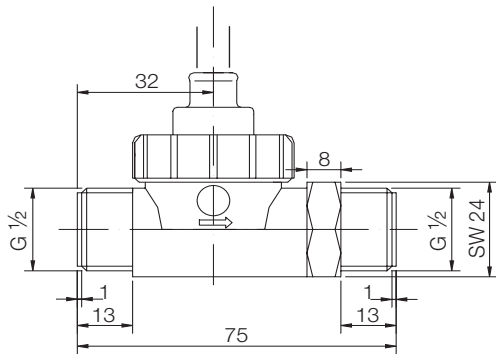




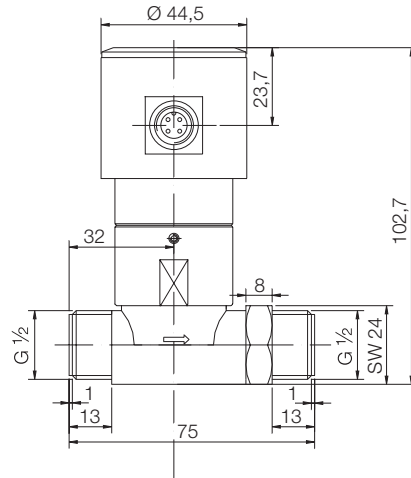
Low Volume, Rotating Vane Flowmeter Model DPL

Dimensions

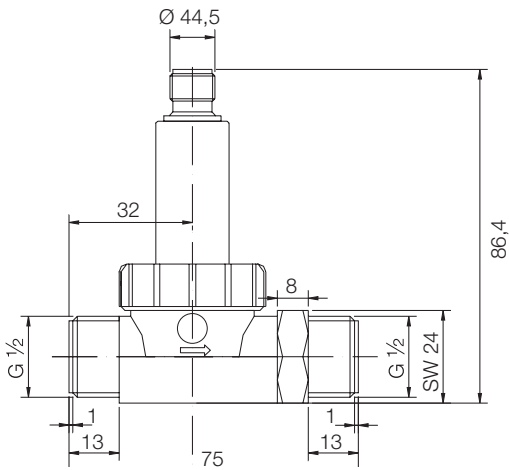
DPL-..K000



DPL-..C3xx (Compact Electronic)



DPL-..F300, ..L343



DPL-..L443 (Analog Output with AUF-3000 Plug-on Display)

