

TKW SERIES

Plastic Flow Meter

Order from:
C A Briggs Company
 622 Mary Street; Suite 101
 Warminster, PA 18974
 Phone: 267-673-8117 - 800-352-6265
 Fax: 267-673-8118
 Sales@cabriggs.com - www.cabriggs.com



- No Programming
- Excellent Corrosion Resistance
- Output - Pulse - Voltage - 4-20mA



On Paddle Assembly

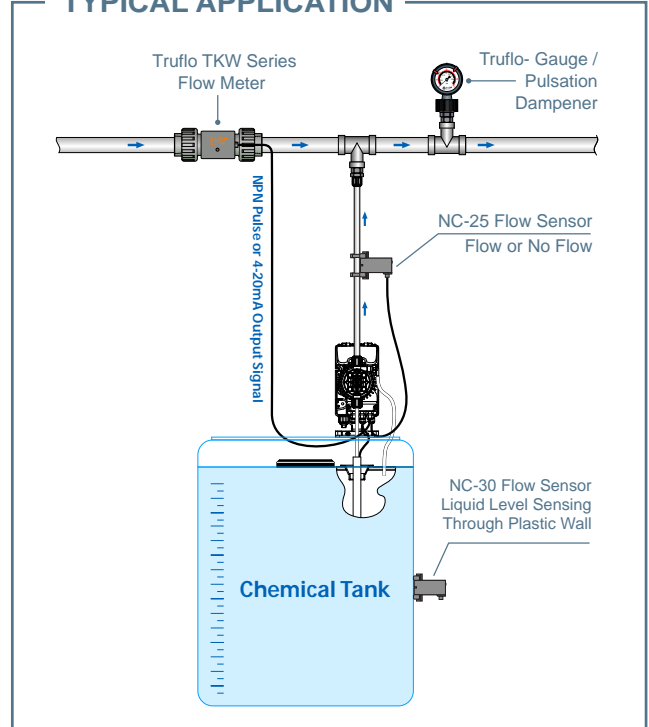


Zirconium Ceramic Rotor Pin & Bearings... The Only thing Harder is Diamond



SERIES : TKW
 CONNECTION: SOC, NPT, Flanged, Butt, DIN
 SEALS : FPM/EPDM/FFKM

TYPICAL APPLICATION



FEATURES

- High Accuracy Less than $\pm 1.0\%$ of Full Scale
- NPN Pulse, Voltage , 4-20mA Output
- Corrosion Resistant Materials PVC/PP/PVDF
- Low Cost Visual Indication
- Easy Installation-No Mounting Kits
- Compact Design
- Horizontal or Vertical Installation
- Size Range 1/2"- 4"
- Low Pressure Drop
- NEMA 4X Enclosure
- Suitable for Corrosive Environments
- True- Union Design 1/2" - 2" (Flanged 3"- 4")

SPECIFICATIONS

Fluid	Water or Chemicals Liquid - Viscosity Range: .5-20 centistokes
Accuracy	$> \pm 1.0\%$ of F.S. @ 20°C (68°F) - Repeatability $\pm .5\%$ of Full Scale
Max Flow Velocity	10 m/s max - (32.8 ft/s max)
Min Flow	0.3 m/s min. - (.98 ft/s min)
Operating press	150 psi (Non-Shock)
Turndown	33:1
Response time	Real Time
Material of Construction	Paddle: Tefzel Body: PVC/PP/PVDF Shaft: Zirconium Ceramic Seals: FPM (Std) - EPDM FFKM (Opt)
Operating Temperature	PVC < 60 C (140 F) PP < 80°C (176°F) PVDF < 110°C (230°F)
Electronics	+ 50°C (122F)
Protection Class	IP66 NEMA 4X
Approval	CE Rohs
Current Draw	60mA Max
Operating Voltage	10-30VDC

PRODUCT SELECTION

EXAMPLE

TKW ----- 25 ----- PVC ----- E
 (1) (2) (3) (4)

1. SERIES

TKW = Paddle Wheel Flow Meter with Transmitter

2. PIPE SIZE

15 = (1/2") / 20 = (3/4")

25 = (1") / 40 = (1 1/2")

50 = (2") / 80 = (3") 100 = (4")

3. BODY MATERIAL

P - PVC

PP - Polypropylene

PF - PVDF

4. Seals

E - EPDM

F - FFKM

5. End Connections

S- Sch 80 Soc D- DIN

T- NPT F- ANSI 150 lb FLANGE

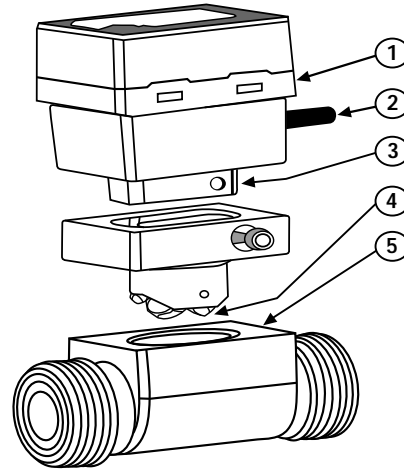
T- SDR11 Butt

6. Outputs-(Pulse Output Std)

V - 0-5 Volts Output

A - 4-20mA Output

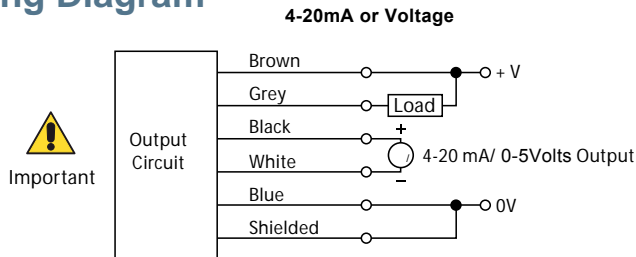
PARTS TKW SERIES



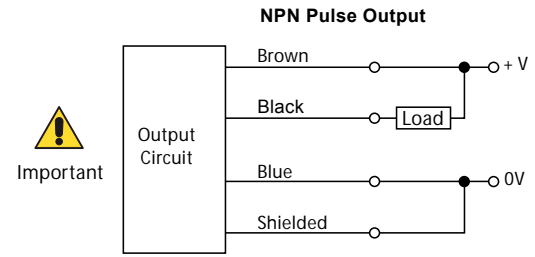
1. Flow Controller
2. Lead Wire
3. Hall Sensor
4. Paddle Wheel
5. Body (PVC, PP, PVDF)



Wiring Diagram



Brown	12-24VDC	Black	+ 4-20mA /0-5-V Output
Blue	0V	White	- 4-20mA /0-5-V Output
Grey	NPN Paddle Pulse output	Shielded	Ground



Brown	12-24VDC	Black	Pulse Output
Blue	0V	Shielded	Shielded Wire

DC Power Only

Application Note

Load resistance:

Current output (4 - 20mA) : 120Ω max.

Voltage output (0 - 5V) : 10KΩ min.

Range of Transmitter

TKW Series	DN15 1/2"	DN20 3/4"	DN25 1"	DN40 1 1/2"	DN50 2"
Range (LPM) (GPM)	0~30LPM 0-8GPM	0~60LPM 0-16GPM	0~90LPM 0-24GPM	0~200LPM 0-53GPM	0~330LPM 0-87GPM