

# TKS/TKP/TKM SERIES

## MULTI-FUNCTION PADDLE WHEEL FLOW METER

Order from:  
**C A Briggs Company**

622 Mary Street; Suite 101  
Warminster, PA 18974

Phone: 267-673-8117 - 800-352-6265

Fax: 267-673-8118

Sales@cabriggs.com - www.cabriggs.com



- Flow Rate + Flow Totalizer
- Password Security
- Zirconium Ceramic-Rotor/Bearings
- Programmable Relay Output
- LED Display

PVC

PP

PVDF



SERIES : TKS/TKP/TKM

CONNECTION: SOC, NPT, Flanged, Butt, DIN

SEALS : FPM/EPDM/FFKM



On Paddle Assembly

Rugged Design



**Zirconium Ceramic Rotor Pin & Bearings... The Only thing Harder is Diamond**

### FEATURES

- High Accuracy
- Less Than 1.0% of Full Scale
- Unit of Flow Measurement is selectable (Liter/Gallon/Kilo-liter)
- Corrosion Resistant Materials PVC/PP/PVDF
- Low Cost Visual Indication
- Easy Installation - No Mounting Kits
- High Flow Range (.3m/s - 10m/s) (.98 ft/s - 32.8 ft/s)
- Easy to Program
- Compact Design
- Large Bright LED Digital Display
- Horizontal or Vertical Installation
- Size Range 1/2" - 4"
- Low Pressure Drop
- NEMA 4X Enclosure
- Suitable for Corrosive Environments
- Password Protected Security
- True - Union Design 1/2' -2' (Flanged 3' - 4")
- M12 Quick Disconnect (Optional)

### SPECIFICATIONS

<b>Fluid</b>	Water or Chemicals Liquid - Viscosity Range: .5-20 centistokes
<b>Accuracy</b>	> 1.0% of F.S. @ 20°C (68°F) - Repeatability + .5% of Full Scale
<b>Max Flow Velocity</b>	10 m/s max - (32.8 ft/s max)
<b>Min Flow</b>	0.3 m/s min. - (.98 ft/s min)
<b>Operating press</b>	150 psi
<b>Turndown</b>	33:1
<b>Response time</b>	Real Time
<b>Material of Construction</b>	<b>Paddle:</b> Tefzel <b>Body:</b> PVC/PP/PVDF <b>Shaft:</b> Zirconium Ceramic <b>Seals:</b> FPM (STD)
<b>Operating Temperature</b>	PVC < 60°C (140°F) PP < 80°C (176°F) PVDF < 110°C (230°F)
<b>Electronics</b>	+ 50°C (122F)
<b>Protection Class</b>	IP66 NEMA 4X
<b>Approval</b>	CE Rohs
<b>Current Draw</b>	60mA Max
<b>Battery</b>	10-30VDC

# TKS/TKP/TKM SERIES

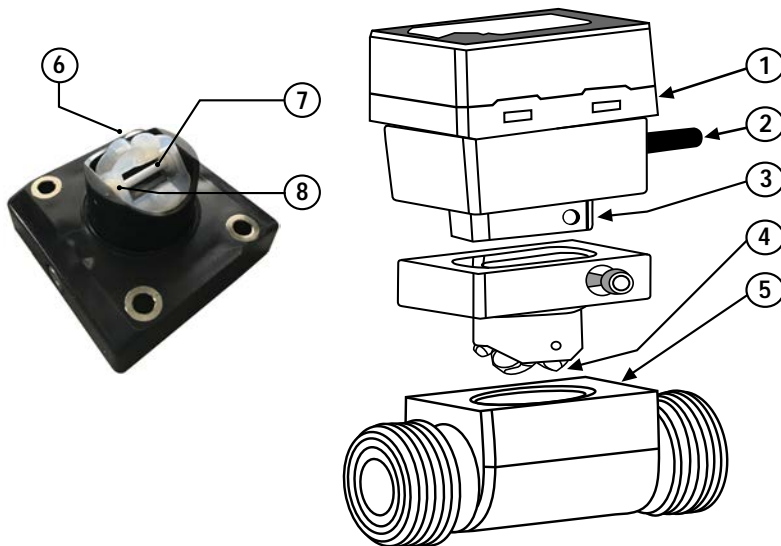
## MULTI-FUNCTION PADDLE WHEEL FLOW METER

Order from:  
**C A Briggs Company**  
 622 Mary Street; Suite 101  
 Warminster, PA 18974  
 Phone: 267-673-8117 - 800-352-6265  
 Fax: 267-673-8118  
 Sales@cabriggs.com - www.cabriggs.com



### PARTS TK SERIES

1. Flow Controller
2. Power Supply (10-30 VDC)
3. Hall Sensor
4. Paddle Wheel
5. Body (PVC, PP, PVDF)
6. Tefzel Paddle
7. Zirconium Ceramic Rotor Pin
8. Zirconium Ceramic Bearings



### PRODUCT SELECTION

#### EXAMPLE

TKP ----- 25 ----- P----- E-----T-----RS  
 (1)        (2)        (3)    (4)    (5)    (6)

#### 1. SERIES

TKS = Paddle Wheel Flow Meter with Relay Output

TKP = Paddle Wheel Flow Meter - Flow Rate + Flow Total Output

TKM = Paddle Wheel Flow Meter- 4-20mA Output Flow Rate + Flow Total Pulse Output

#### 2. PIPE SIZE

15 = (1/2") / 20 = (3/4")  
 25 = (1") / 40 = (1 1/2")  
 50 = (2") / 80 = (3") / 100 = (4")

#### 3. BODY MATERIAL

P = PVC  
 PP = Polypropylene  
 PF = PVDF

#### 4. Seals

E- EPDM  
 F- FFKM

#### 5. End Connections

S- Sch 80 Soc  
 T- NPT  
 B - SDR11 Butt  
 D- DIN  
 F- ANSI 150 lb

6. RS = TKP Series (Only) with RS-485 MODBUS

### TYPICAL APPLICATION

