

- **No Programming Required**
- **Excellent Chemical Resistance**
- **Perfect for Dosing-Pulsating Flows**

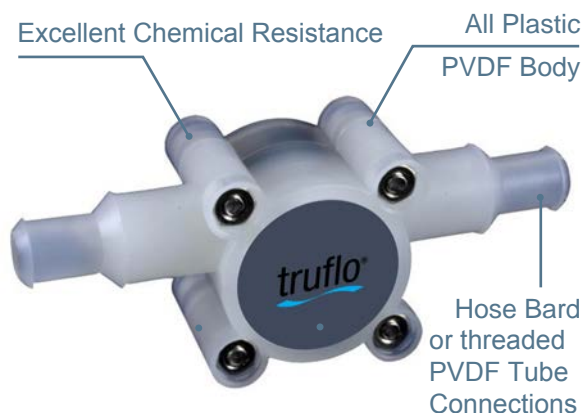
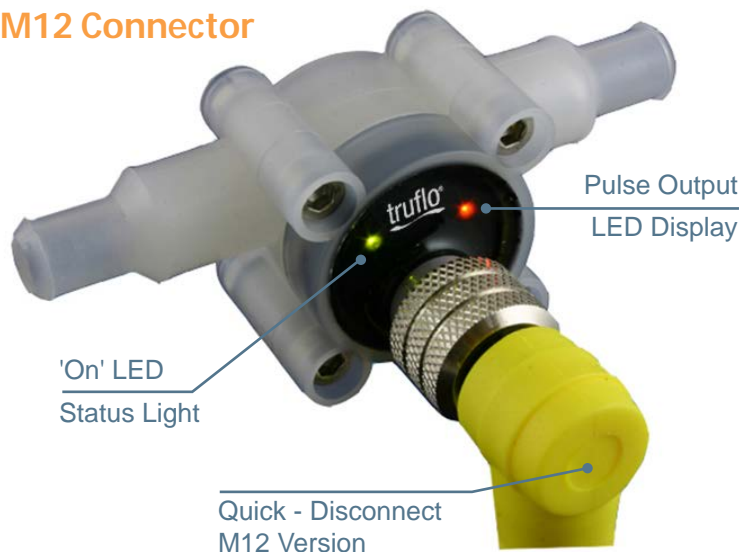
PVDF

SERIES : PROPULSE  
 CONNECTION: ½" Tube or Hose Barb  
 SEALS : Viton™  
 Sapphire Bearing

ProPulse provides superior performance and delivers accurate Ultra Low Flow measurement that is highly repeatable under the most demanding of industrial environments. The ProPulse Series consists of one universal body that can be customized into four (4) selectable flow ranges. Changing from one flow range to another is simply achieved by inserting a very precise flow jet, no special tools required for change out ...truly Plug and Play

The ProPulse operates using a PVDF rotor with encapsulated magnetic inserts which rotate on a long wearing set of sapphire bearings designed to provide years of reliability. As the rotor spins the magnetic field produced by the magnets is pick up via a Hall Effect Sensor which converts the rotation into a square wave NPN pulse output that can be sent directly to a metering pump or local display.

**M12 Connector**



**FEATURES**

- Universal Body 5 Different Flow Ranges - (Flow Jets Are Field Replaceable)
- Excellent Chemical Resistance
- All Plastic PVDF Body, Rotor, Sapphire Bearings
- Ultra Low Flow Ranges from 50 ml/min (.013 GPM)
- Pressure Rating 10 bar (150 psi)
- Compact - Lightweight
- Temperature Rating -40 -120°C (-40 -248°F)
- High Accuracy & Repeatability
- NPN Pulse Output

**SPECIFICATIONS**

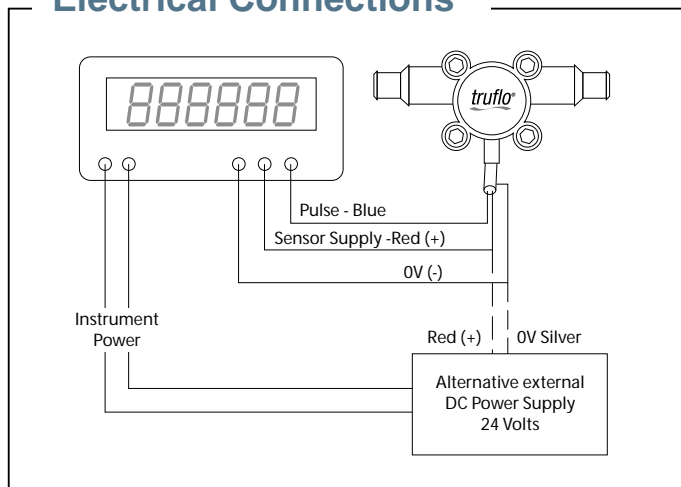
|                       |  |
|-----------------------|--|
| Accuracy              | ±1% Full Scale   |
| Repeatability         | ±0.1%  |
| Pulse Output          | NPN, Hall Effect Square Wave – Switch Current 10 mA max.   |
| Pressure rating       | Bar (150 Psi)  |
| Viscosity / particles | Less than 90 micron  |
| Temperature rating    | -20°C - 125°C (-4 -240°F)                                  |
| Calibration           | 6.8 GHZ  |
| Body and internals    | PVDF, Sapphire Bearing                                     |
| Seals                 | Viton O-ring   |
| Connections           | Barbed (5/16 and 1/2 inch) or 3/8" straight pipe, 3/8" NPT |
| Power Consumption     | 7.5 mA   |

# PROPULSE SERIES Turbine Flow Meter

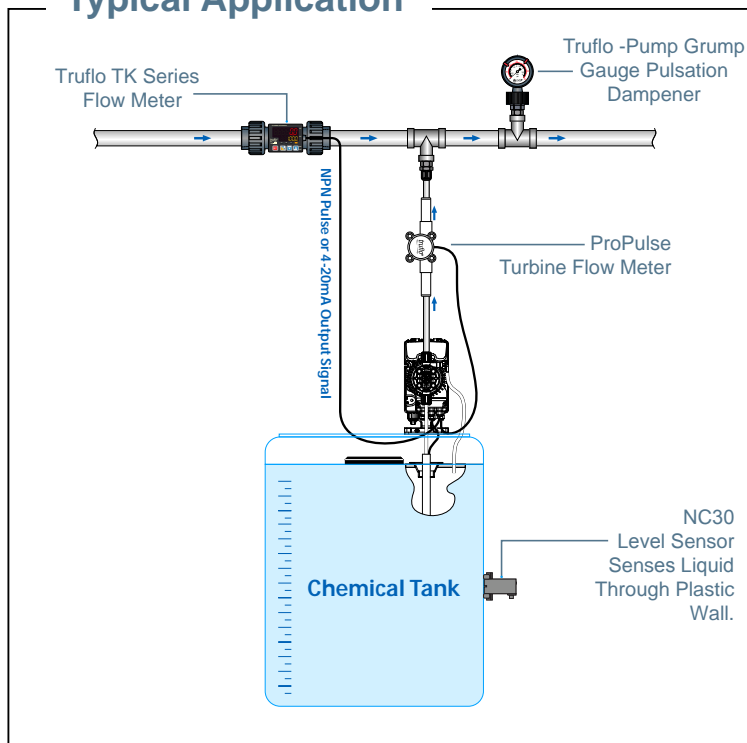
Order from: **C A Briggs Company**  
 622 Mary Street; Suite 101; Warminster, PA 18974  
 Phone: 267-673-8117 - 800-352-6265; Fax: 267-673-8118  
 Sales@cabriggs.com - www.cabriggs.com



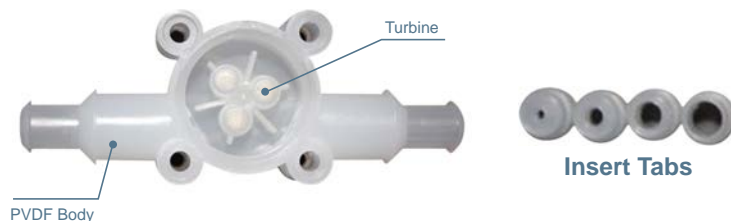
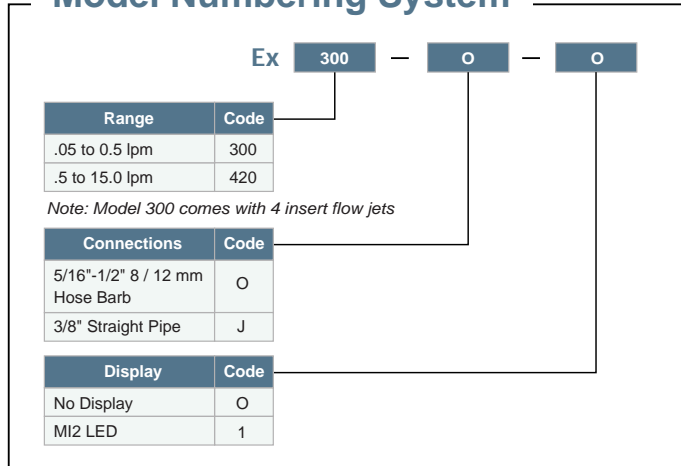
## Electrical Connections



## Typical Application



## Model Numbering System



## Flow Ranges and Pulses

| Model     | Range Liter/min | Range GPM     | Accuracy $\pm$ % Full Scale | Frequency Hz | K-factor 1/liter | K-factor 1/gallon |
|-----------|-----------------|---------------|-----------------------------|--------------|------------------|-------------------|
| 300-Jet 1 | 0.05 - 0.50     | 0.013 - 0.132 | 2.0                         | 142          | 17000            | 64352             |
| 300-Jet 2 | 0.12 - 1.50     | 0.032 - 0.396 | 2.0                         | 175          | 7000             | 26498             |
| 300-Jet 3 | 0.20 - 4.50     | 0.053 - 1.189 | 1.5                         | 260          | 3500             | 13249             |
| 300-Jet 4 | 0.25 - 6.50     | 0.066 - 1.717 | 1.5                         | 230          | 2100             | 7949              |
| 300       | 0.30 - 10.0     | 0.079 - 2.642 | 1.0                         | 235          | 1420             | 5375              |
| 420       | 0.50 - 15.0     | 0.132 - 3.963 | 1.0                         | 245          | 980              | 3710              |

## Dimensions

