

OBS-TT SERIES

Plastic Tell-Tale Gauge

Order from:
C A Briggs Company

622 Mary Street; Suite 101
Warminster, PA 18974

Phone: 267-673-8117 - 800-352-6265

Fax: 267-673-8118

Sales@cabriggs.com - www.cabriggs.com



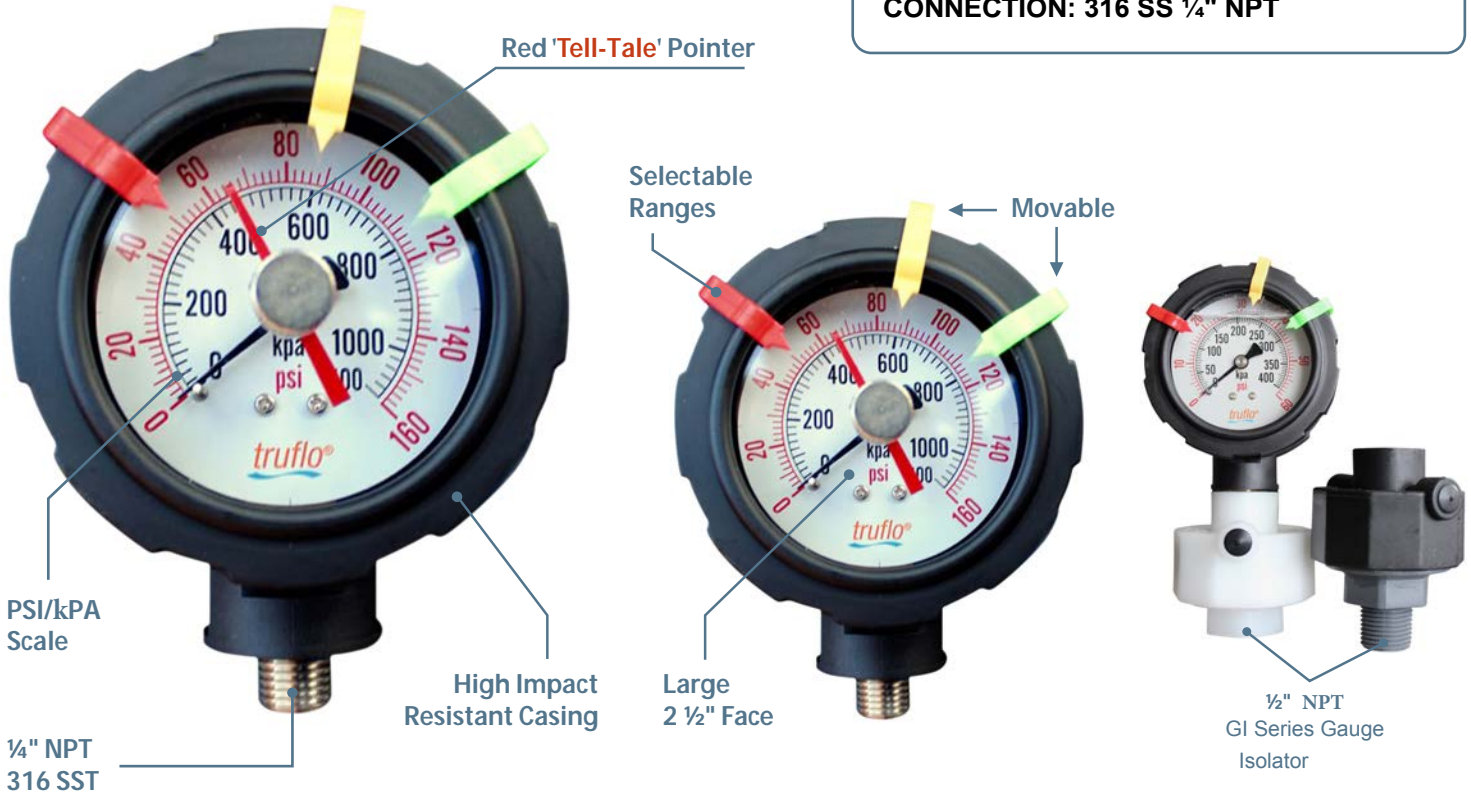
- Upset Pressure Notification
- No Filling Required
- Suitable for Corrosive Environments

PP 316 SS



SERIES : OBS-TT

CONNECTION: 316 SS 1/4" NPT



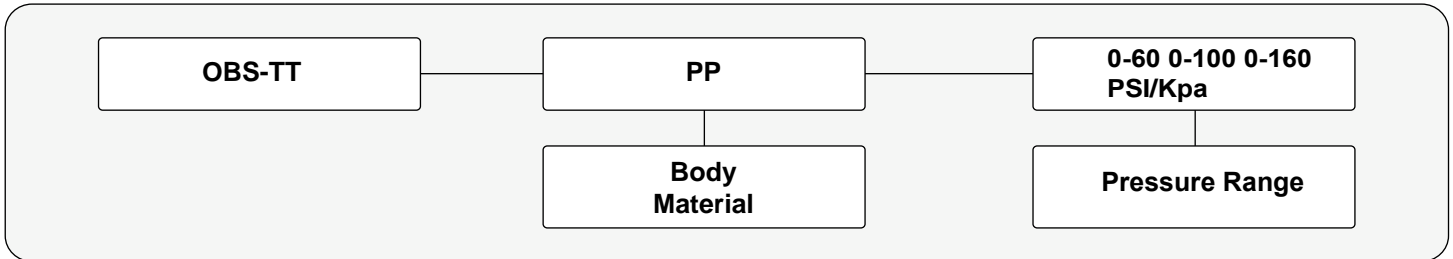
FEATURES

- Heavy Duty Enclosure
- Notification of Pressure Spikes
- Suitable for Corrosive Environments
- Records Pressure Surges
- Heavy Duty Design
- 3 Range Tabs - Red - Yellow - Green
- Extra Large Colored Display
- High Accuracy .75 %
- Resettable
- High Impact Casing
- Visual Pressure Ranges
- Simple to Install
- 316 SS NPT Connection

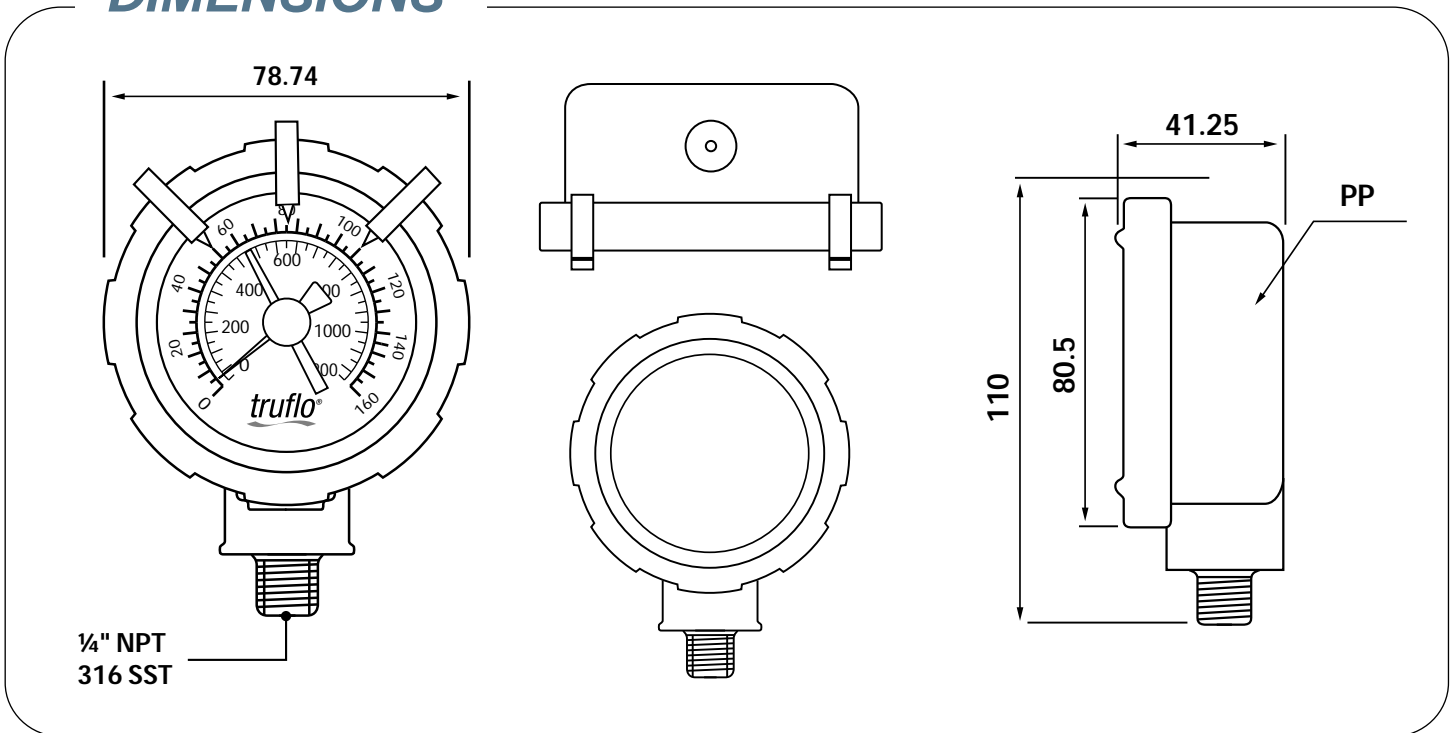
SPECIFICATIONS

Dial Diameter	Large 2½" (Big Numbers-Clear Markers)
Mounting	Direct Mount, Bottom Connection (M) NPT ¼"
Housing	Polypropylene
Lens	High Impact Polycarbonate
Dial	Red & Black Scale White Background, dial arc 270°
Measuring Principle	Bourdon Tube-SS316
Movement	SS316 (Non Wetted)
Gauge	Red, Yellow, Green Movable Plastic Markers-Pressure Range Pointers Fitted on the Bezel
Connection	¼" (M) NPT 316 SST
Filling	No Fill
Accuracy	±.75% F.S.
Operating temperature	Max. Working Temp. PP-170° F
Pressure Range	Standard ranges 0 -60, 0-100, 0-160 / PSI/kPA Other units available, e.g., bar, MPa, etc.

HOW TO ORDER



DIMENSIONS



Installation

Do not tighten by grasping the case of the gauge as this may cause damage.

1. Before installing the OBS Series pressure gauge, ensure attention is given to the Process Liquid, Chemical Compatibility, Temperature, Vibration, Pressure Spikes, and other climatic and application conditions that may adversely affect the performance.
2. The user shall ensure that the correct gauge pressure range and the correct materials of construction are selected.

