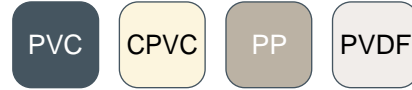


- High Accuracy $\pm 1.0\%$
- Excellent Chemical Resistance
- 4-20mA + 2 Relay Outputs
- Display Turns From Green To Red



SERIES : OBSP-LE

CONNECTION: 1/2" (M) (F) NPT, 150lb ANSI Flange

DIAPHRAGM : PTFE Teflon



LED turns from Green to Red when Relays are active

Different Pressure Units



PTFE (Teflon®) Diaphragm

1/2" MNPT

Vacuum Port

Locking Panel Mount

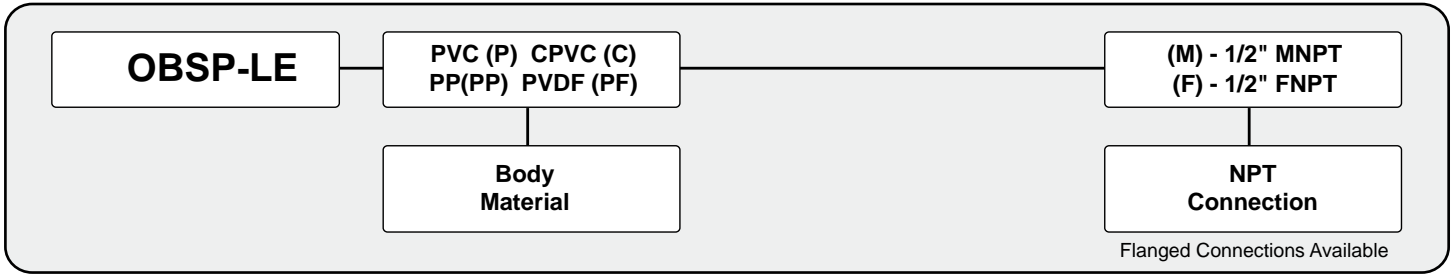
FEATURES

- All Plastic (Gauge + Isolator)
- No Filling Required
- Heavy Duty Design; Simple to Install
- Completely Corrosion Resistant
- Designed to Act as Visual Pressure Alert for Bag/Filter Change-Out
- Extra Large LED Display
- Reduces Small Pressure Surges caused by Water Hammer or Metering Pump Pulsations
- Highest Accuracy in Industry $\pm 1.0\%$
- One-Piece Molded Design (No Assembly)
- Suitable for Corrosive Media + Slurries
- No Programming Required
- PTFE Diaphragm - Standard
- No Assembly Required

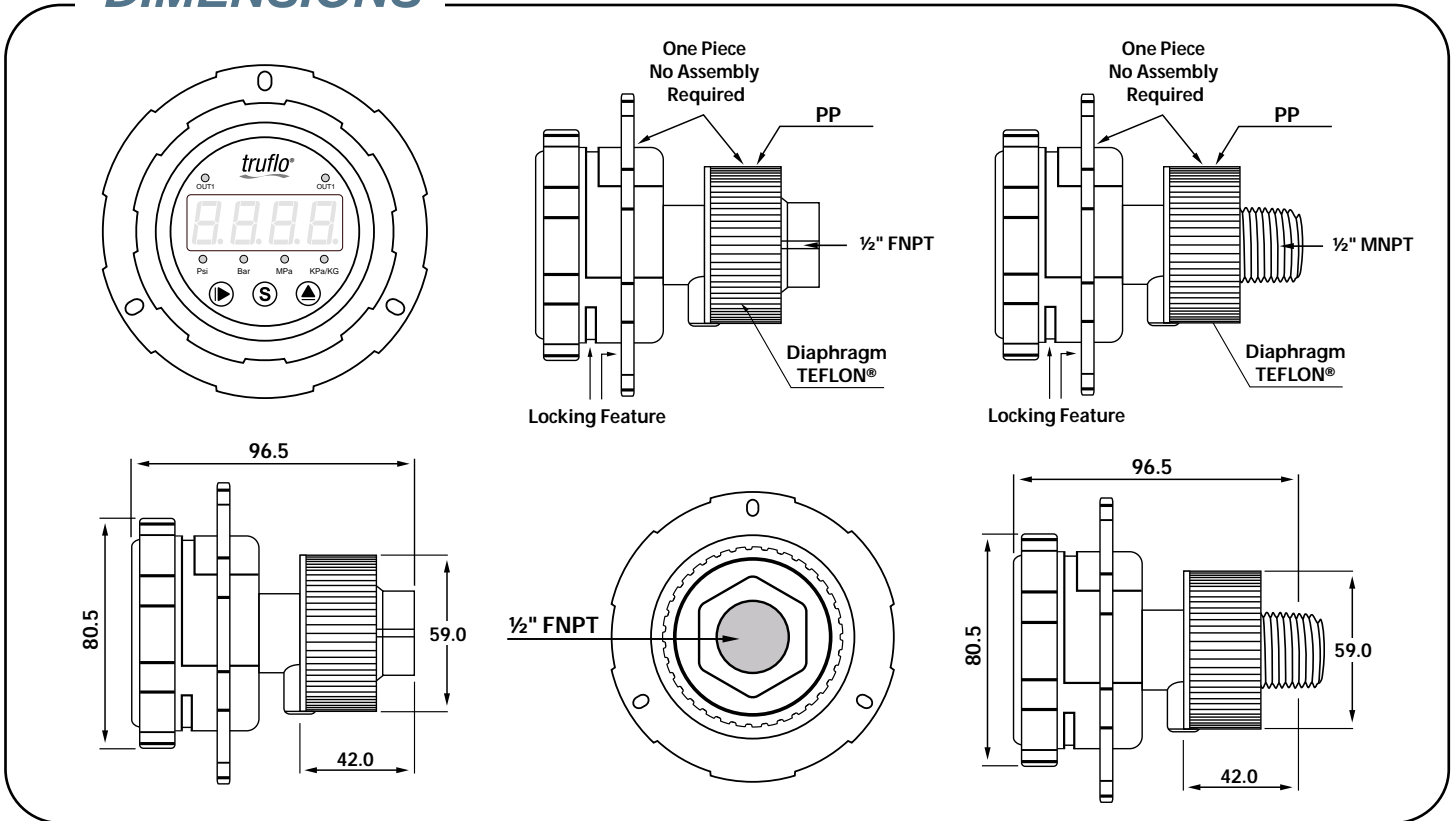
SPECIFICATIONS

Dial Diameter	Large 2 1/2" (Big Numbers)
Mounting	Back/Center Connection 1/2"
Housing	Polypropylene - PTFE Diaphragm -One Piece Molded Design (No Assembly)
Power Supply	10-30 VDC
Pressure Display	LED -Psi ,bar, MPa, kPa
Connection	1/2" (M) (F) NPT, ANSI 150lb Flange
Accuracy	$\pm 1.0\%$
Operating temperature	PVC-140°F, CPVC-180°F PP-170°F PVDF-195°
Pressure Range	0-150 PSI (Ambient Temp)
Output	4-20mA + 2 (NPN or PNP) Relay Outputs

HOW TO ORDER



DIMENSIONS



INSTALLATION

Do not tighten by grasping the case of the gauge as this may cause damage.

1. Before installing the OBS Series pressure gauge, ensure attention is given to the Process Liquid, Chemical Compatibility, Temperature, Vibration, Pressure Spikes, and other climatic and application conditions that may adversely affect the performance.
2. The user shall ensure that the correct gauge pressure range and the correct materials of construction are selected.

