

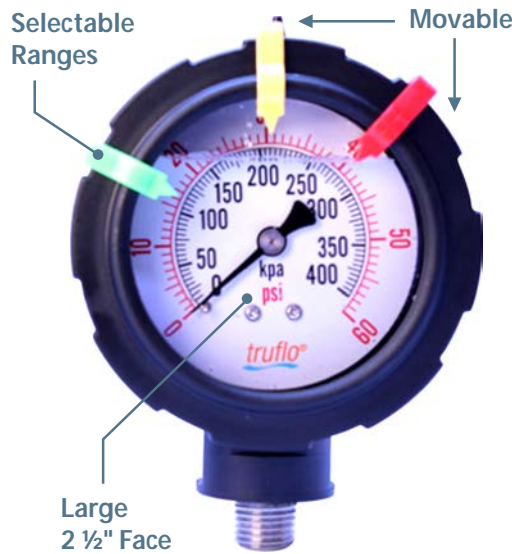
- No Filling Required
- Suitable for Corrosive Environments
- High Impact Casing

PP 316 SS



SERIES : OBS-GO

CONNECTION : 316 SS 1/4" NPT



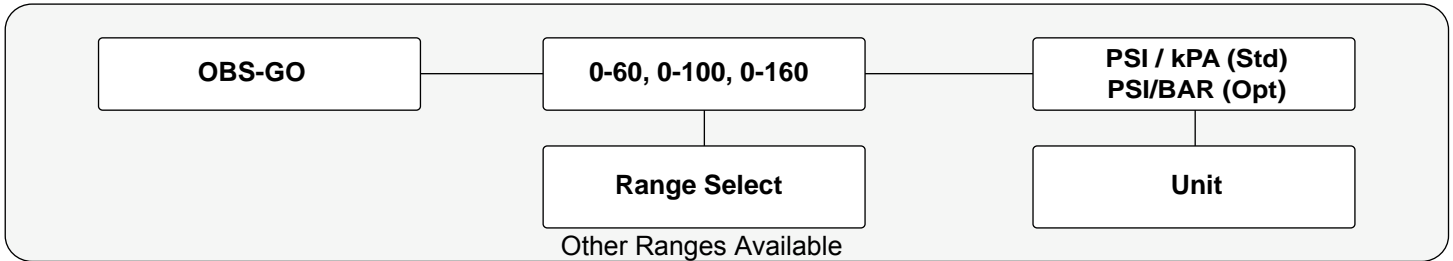
FEATURES

- Heavy Duty Design
- Suitable for Corrosive Environments
- All Plastic & Gauge (Filled)
- Heavy Duty Design
- 3 Range Tabs Red-Yellow-Green
- Extra Large Colored Display
- High Accuracy .75 %
- Factory Pre-Filled
- High Impact Casing
- Visual Pressure Ranges
- Simple to Install
- Perfect Mate for GI Series Isolators

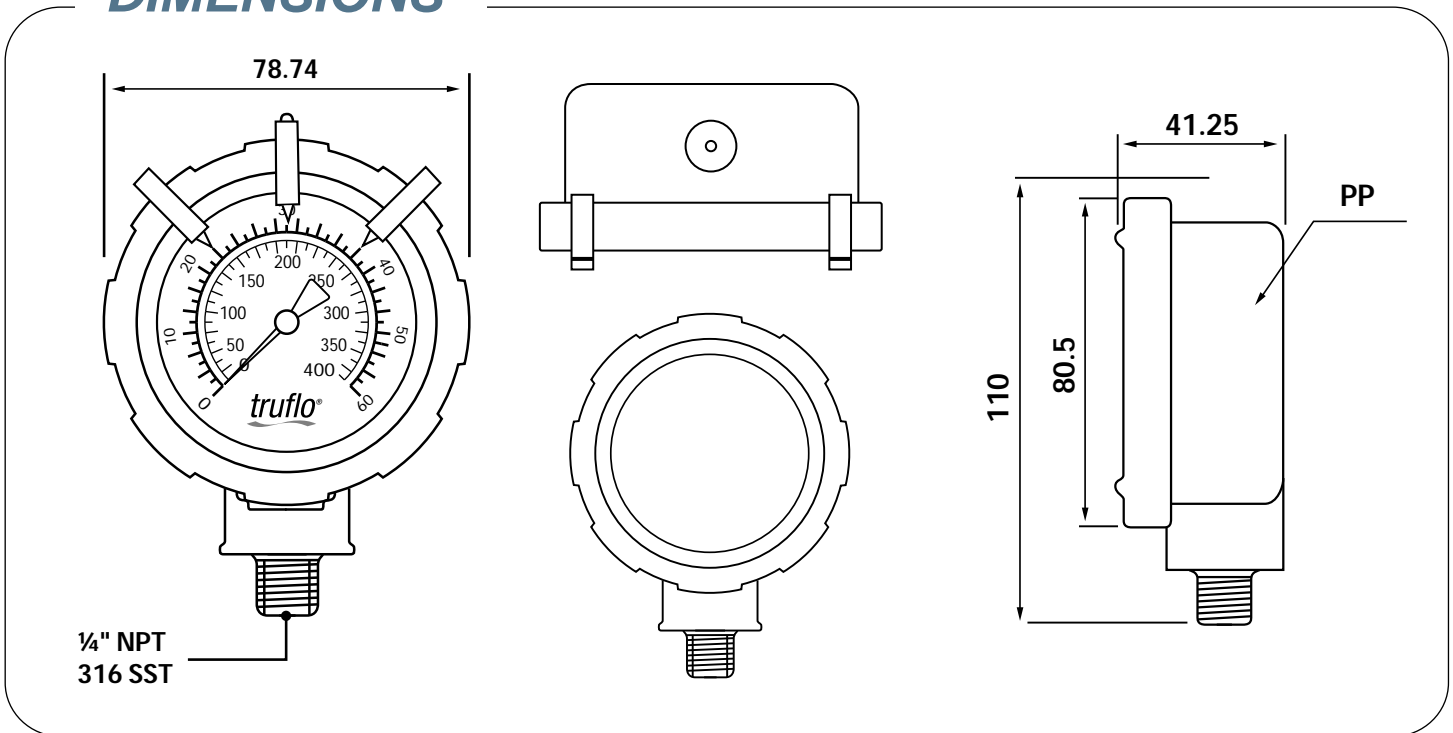
SPECIFICATIONS

Dial Diameter	Large 2 1/2" (Big Numbers-Clear Markers)
Mounting	Direct Mount, Bottom Connection MNPT 1/4"
Housing	Polypropylene
Lens	High Impact Polycarbonate
Dial	Red & Black Scale White Background, dial arc 270°
Measuring Principle	Bourdon Tube-SS316
Movement	SS316 (Non Wetted)
Gauge	Red, Yellow, Green Moveable Plastic Markers-Pressure Range Pointers Fitted on the Bezel
Connection	1/4" (M) NPT 316 SST
Filling	Glycerin (Std) Silicone (Opt)
Accuracy	±.75% F.S.
Operating temperature	Max. Working Temp. PP-170° F
Pressure Range	Standard range 0-60 / 0-100 / 0-160 PSI (Second Scale: kPa) (Pressures up to 1500 PSI) Other units available, e.g., bar, MPa, etc.

HOW TO ORDER



DIMENSIONS



Installation

Do not tighten by grasping the case of the gauge as this may cause damage.

1. Before installing the OBS Series pressure gauge, ensure attention is given to the Process Liquid, Chemical Compatibility, Temperature, Vibration, Pressure Spikes, and other climatic and application conditions that may adversely affect the performance.
2. The user shall ensure that the correct gauge pressure range and the correct materials of construction are selected.

