

BAG 'BIG ASS' SERIES

3" Plastic Pressure Gauge & Isolator

Order from:
C A Briggs Company

622 Mary Street; Suite 101
 Warminster, PA 18974

Phone: 267-673-8117 - 800-352-6265

Fax: 267-673-8118

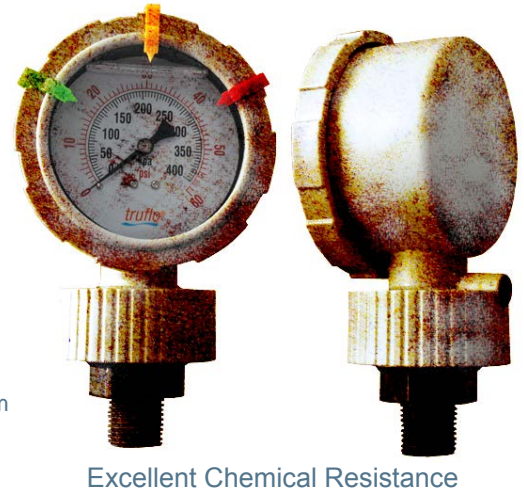
Sales@cabriggs.com - www.cabriggs.com



- Excellent Corrosion Resistance
- No Assembly Required
- No Filling Required



SERIES : BAG
 CONNECTION : ½" (M) (F) NPT, Flanged
 DIAPHRAGM : PTFE



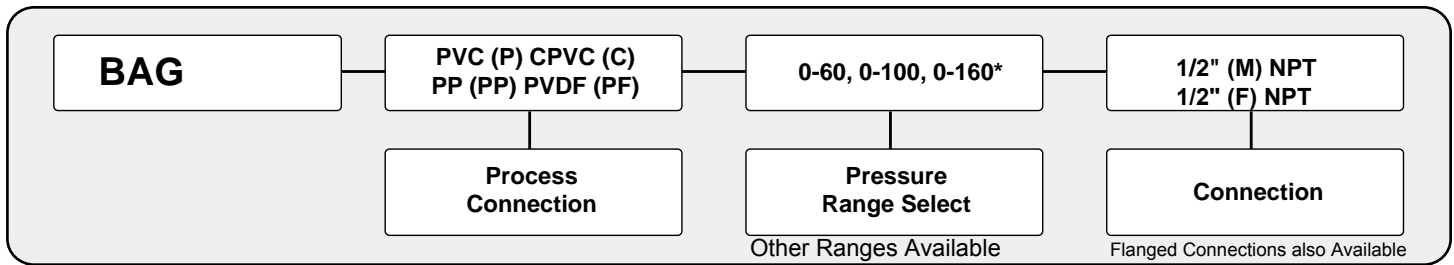
FEATURES

- All Plastic (Gauge + Isolator) Filled
- Heavy Duty Design; Simple to Install
- Completely Corrosion Resistant
- Designed to Act as Visual Pressure Alert
- Extra Large Colored Display
- Reduces Pressure Surges caused by Water- Hammer or Metering Pump Pulsations
- Highest Accuracy in Industry 1.5%
- Glycerin (Std) or Silicone (Opt)
- One-Piece Molded Design
- Suitable for Corrosive Media + Slurries

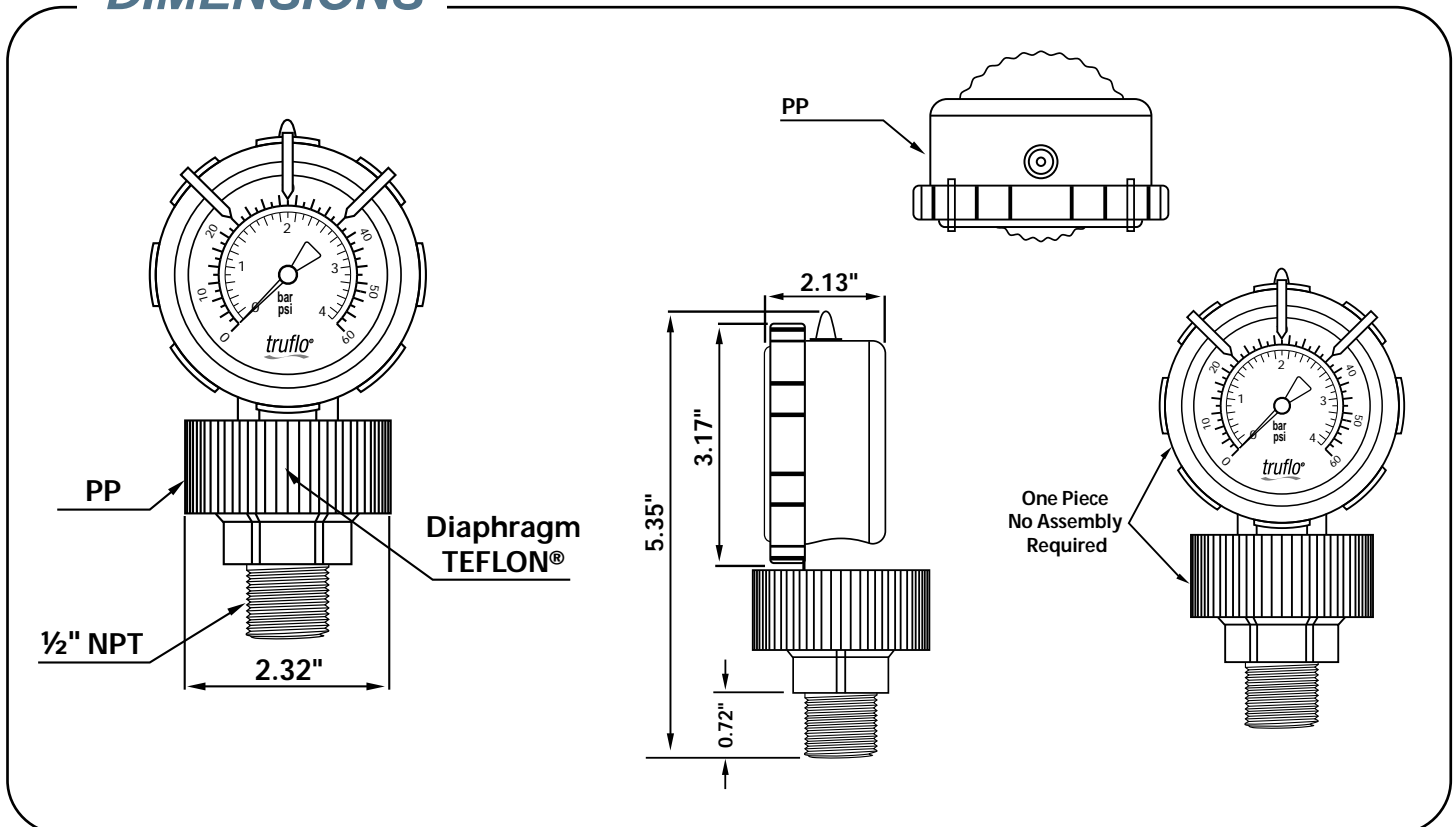
SPECIFICATIONS

Dial Diameter	Large 3" (Big Numbers-Clear Markers)
Mounting	Direct Mount, Bottom Connection ½"
Housing	Polypropylene - PTFE Teflon Diaphragm - One Piece Molded Design (No Assembly or Filling Required)
Lens	High Impact Polycarbonate
Dial	Red & Black Scale White Background, dial arc 270°
Measuring Principle	Bourdon Tube-SS316 (Non Wetted) PTFE Teflon Diaphragm (Wetted)
Movement	SS316 (Non Wetted)
Gauge	Optional - Red, Yellow, Green Movable Plastic Markers-Pressure Range Pointers Fitted on the Bezel
Connection	1/2" (F) (M) NPT , Flanged
Filling	Glycerin or Silicone (Opt)
Accuracy	±1.5% F.S.
Operating temperature	PVC -140°F, CPVC - 180°F PP-170°F, PVDF -195°F
Pressure Range	Standard range 0-60 / 0-100 / 0-160 PSI (Second Scale: kPa) Other units available, e.g., bar, MPa, etc.

HOW TO ORDER



DIMENSIONS



INSTALLATION

Do not tighten by grasping the case of the gauge as this may cause damage.

1. Before installing the BAG Series pressure gauge, ensure attention is given to the Process Liquid, Chemical Compatibility, Temperature, Vibration, Pressure Spikes, and other climatic and application conditions that may adversely affect the performance.
2. The user shall ensure that the correct gauge pressure range and the correct materials of construction are selected.

