

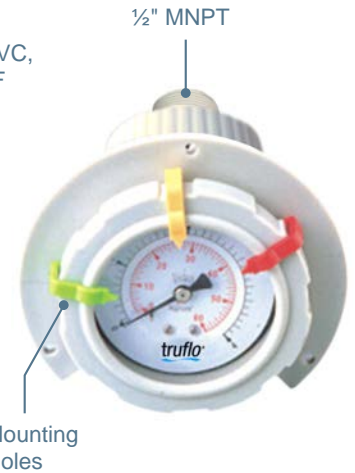
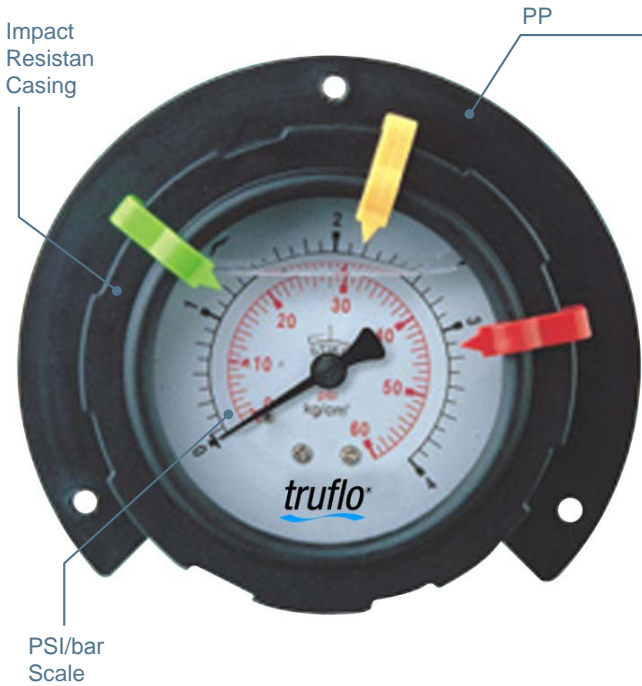
- Corrosion Resistant
- No Filling Required
- High Accuracy



SERIES : OBS-A

CONNECTION: 1/2" (M) (F) NPT, 150lb ANSI Flange

DIAPHRAGM : PTFE Teflon



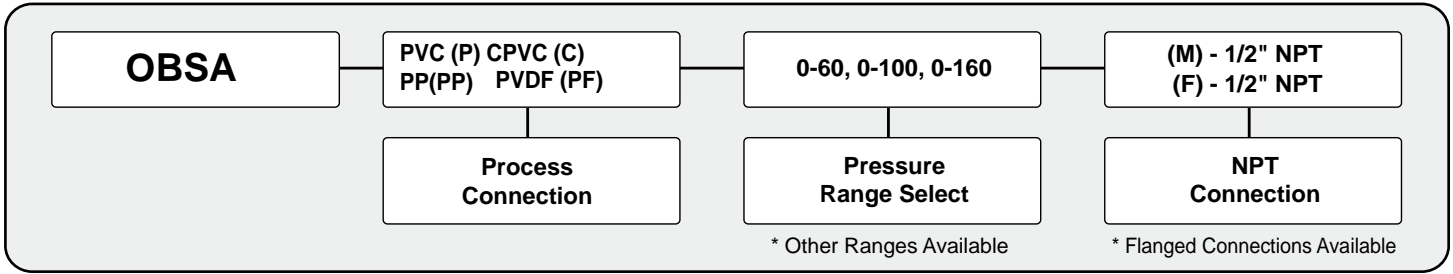
FEATURES

- All Plastic (Gauge + Isolator) Filled
- Heavy Duty Design; Simple to Install
- Completely Corrosion Resistant
- Range Markers Act as Visual Pressure Alert
- Extra Large Colored Display
- Reduces Pressure Surges caused by Water Hammer or Metering Pump Pulsations
- Highest Accuracy in Industry 1.5%
- Glycerin (Std) or Silicone (Opt) Filled
- No Filling Required
- One-Piece Molded Design (No Assembly)
- Suitable for Corrosive Media + Slurries

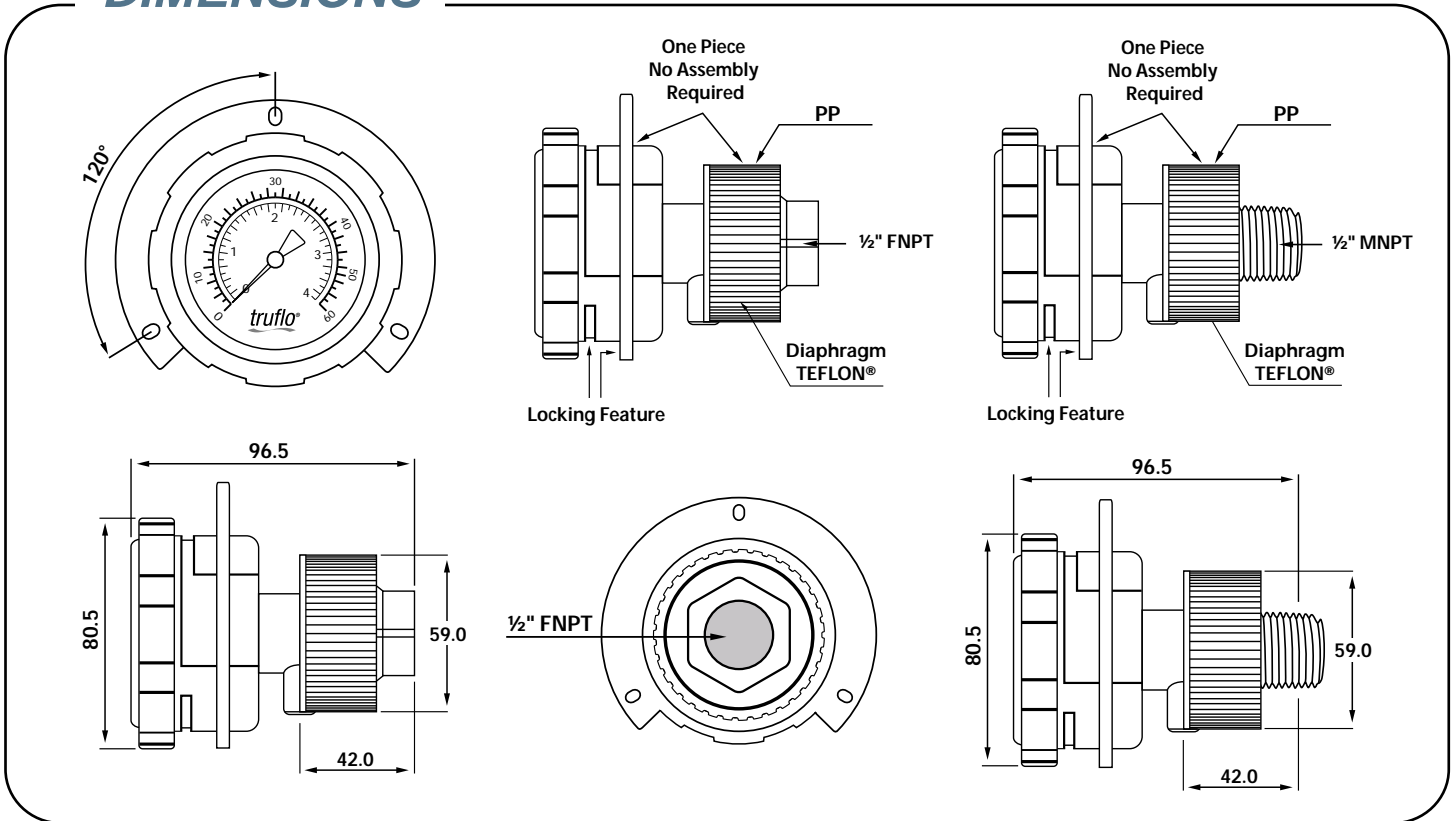
SPECIFICATIONS

| | |
|-----------------------|--|
| Dial Diameter | Large 2½" (Big Numbers-Clear Markers) |
| Mounting | Direct Mount/Panel Mount |
| Housing | PP, Teflon Diaphragm - One Piece Molded Design (No Assembly or Filling Required) |
| Lens | High Impact Polycarbonate |
| Dial | Red & Black Scale White Background, dial arc 270° |
| Measuring Principle | Bourdon Tube-SS316 (Non Wetted) Diaphragm (wetted part) - FPM (Standard) |
| Movement | SS316 (Non Wetted) |
| Gauge | Red, Yellow, Green Movable Plastic Pressure Range Pointers Fitted on the Bezel |
| Connection | 1/2" (M) (F) NPT, Flange |
| Filling | Glycerin, Silicone (Optional) |
| Accuracy | ±1.5% F.S. |
| Operating temperature | PVC 140°F, CPVC 180°F, PP-170°F, PVDF-195 F |
| Pressure Range | Standard range 0-60 / 0-100 / 0-160 PSI (Second Scale: kPA) Other units available, e.g., bar, MPa, etc. |

HOW TO ORDER



DIMENSIONS



INSTALLATION

Do not tighten by grasping the case of the gauge as this may cause damage.

1. Before installing the OBS Series pressure gauge, ensure attention is given to the Process Liquid, Chemical Compatibility, Temperature, Vibration, Pressure Spikes, and other climatic and application conditions that may adversely affect the performance.
2. The user shall ensure that the correct gauge pressure range and the correct materials of construction are selected.

