

- One Piece - Double Sided Design
- No Filling or Assembly Required
- Movable Range Markers

PVC

CPVC

PP

PVDF



SERIES : 2VU

CONNECTION : 1/2" (M) (F) NPT

DIAPHRAGM : PTFE (Teflon)



Excellent Chemical Resistance



PVDF Version

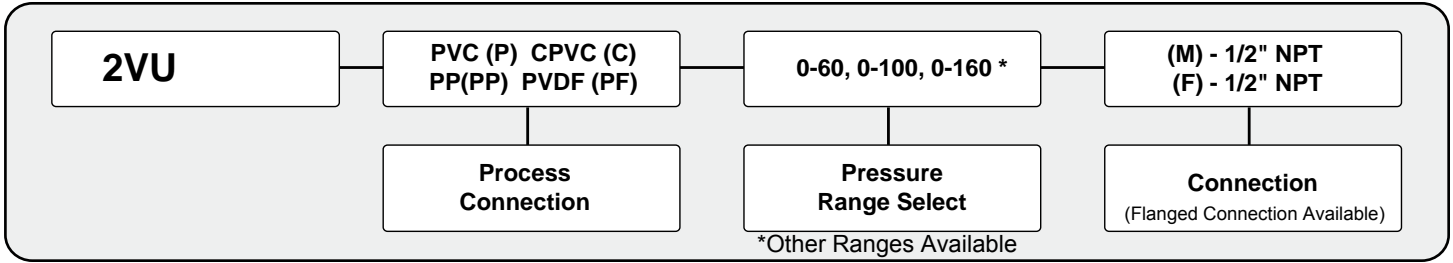
FEATURES

- Industry's First All Plastic Double Sided Gauge
- Heavy Duty Rugged Design
- Completely Corrosion Resistant
- Designed to Act as Visual Pressure Alert
- Extra Large Colored Display
- Reduces Pressure Surges caused by Water Hammer or Metering Pump Pulsations
- Highest Accuracy in Industry 1.5%
- Factory filled-Glycerin or Silicone (Opt)
- Dual Scale -PSI/kPA, PSI/Bar (Opt)
- One-Piece Molded Design
- Suitable for Corrosive Media + Slurries

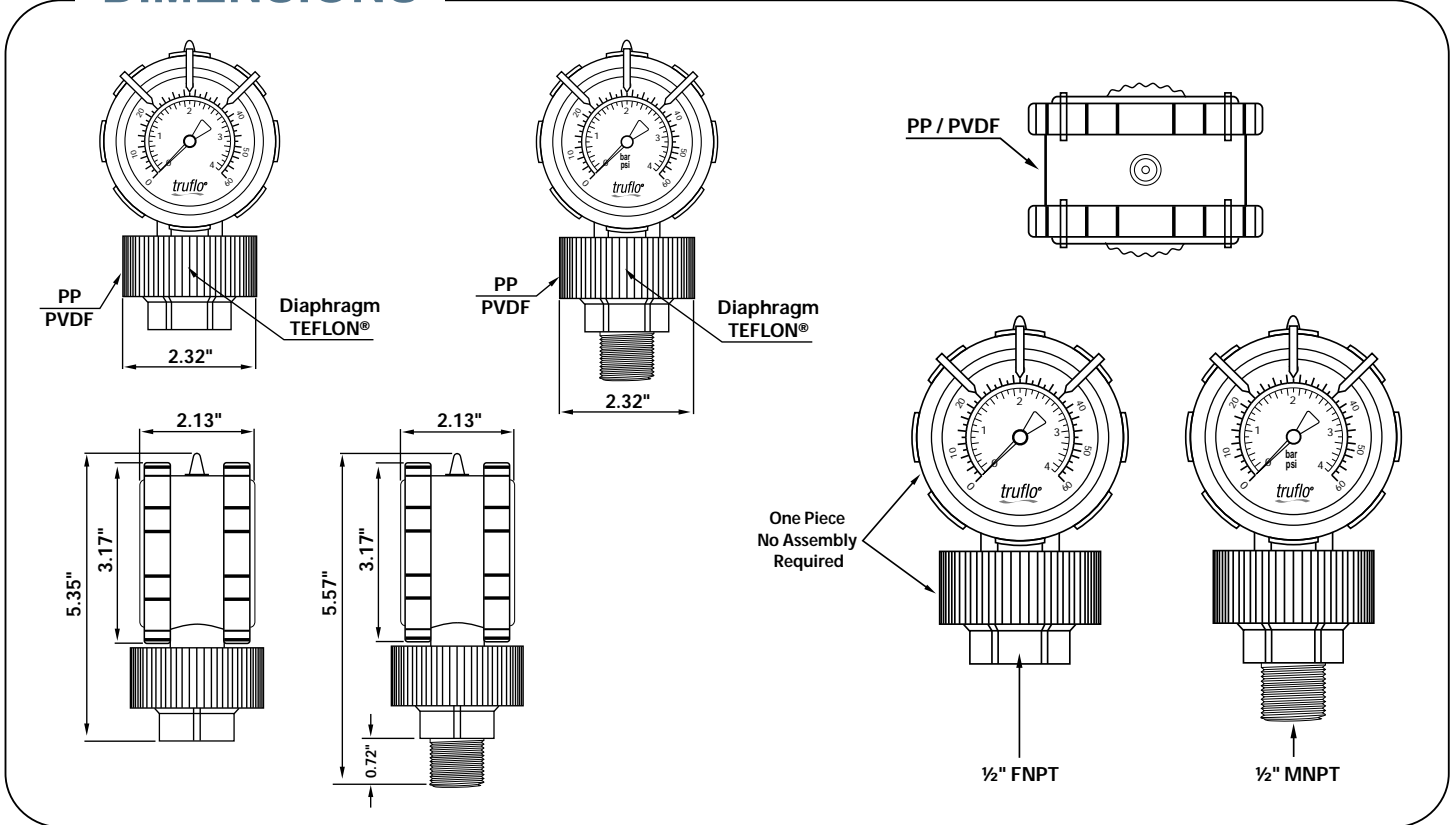
SPECIFICATIONS

Dial Diameter	Large 2½" (Big Numbers-Clear Markers)
Mounting	Bottom -½" Connection FNPT or MNPT
Housing	PVDF or Polypro -PTFE Teflon Diaphragm - One Piece Molded Design (No Assembly or Filling Required)
Lens	High Impact Polycarbonate
Dial	Red & Black Scale White Background, dial arc 270°
Measuring Principle	Bourdon Tube-SS316 (Non Wetted) Teflon Diaphragm (Wetted part)
Movement	SS316 (Non Wetted)
Gauge	3 Adjustable Plastic Markers-Pressure Range Pointers fitted on the Bezel (Green, Yellow, Red)
Connection	½" NPT (M) or 1/2" NPT (F) Flanged (Opt)
Filling	Glycerin, Silicone (Opt)
Accuracy	±1.5% F.S.
Operating temperature	PVC 140°F, CPVC 180°F, PP 170°F, PVDF 195°F
Pressure Range	Standard range 0-60 / 0-100 / 0-160 PSI (Second Scale: kPA) Other units available, e.g., bar, MPa, etc.

HOW TO ORDER



DIMENSIONS



INSTALLATION

Do not tighten by grasping the case of the gauge as this may cause damage.

1. Before installing the 2VU Series pressure gauge, ensure attention is given to the Process Liquid, Chemical Compatibility, Temperature, Vibration, Pressure Spikes, and other climatic and application related conditions that may adversely affect the performance.
2. The user shall ensure that the correct gauge pressure range and the correct materials of construction are selected.

