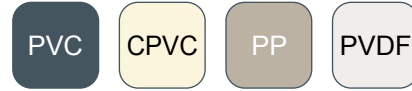


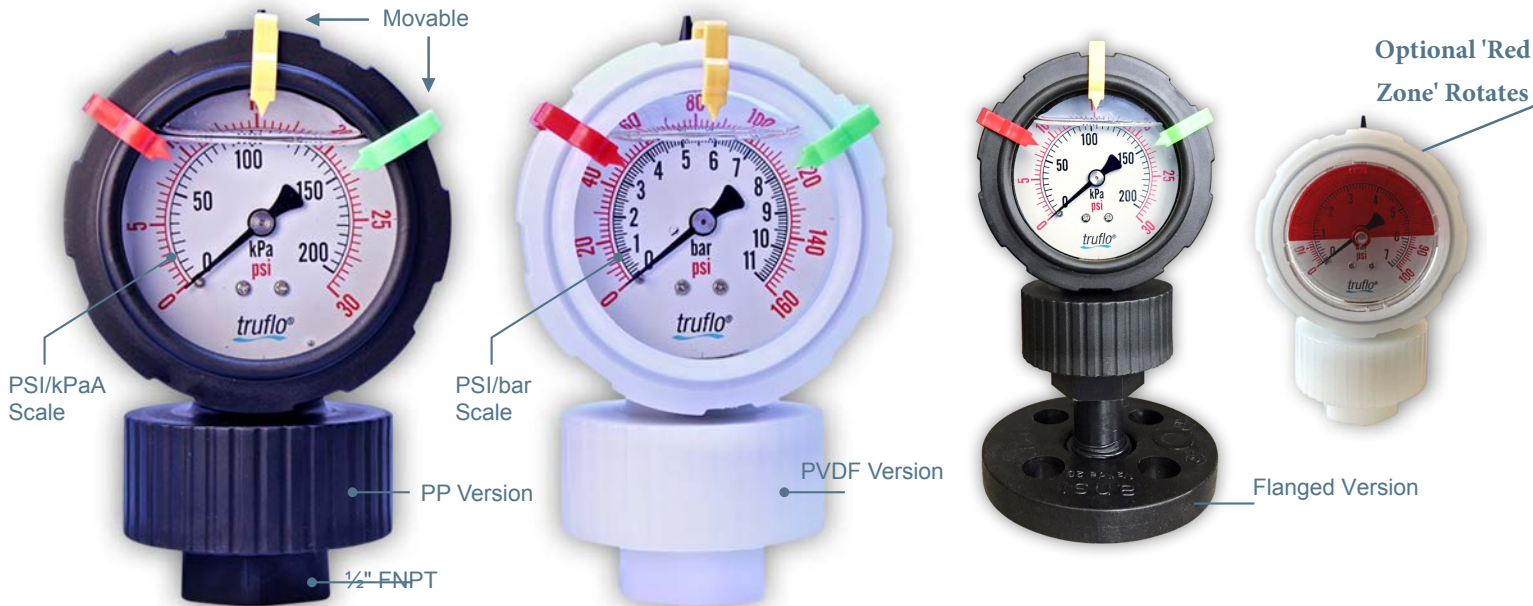
- All Plastic Design
- No Filling Required
- Excellent Chemical Resistance
- Pressure Range Markers



SERIES : OBS

CONNECTION: 1/2" (M) (F) NPT, 150lb ANSI Flange

DIAPHRAGM : PTFE Teflon



All Plastic Design (Gauge + Isolator)

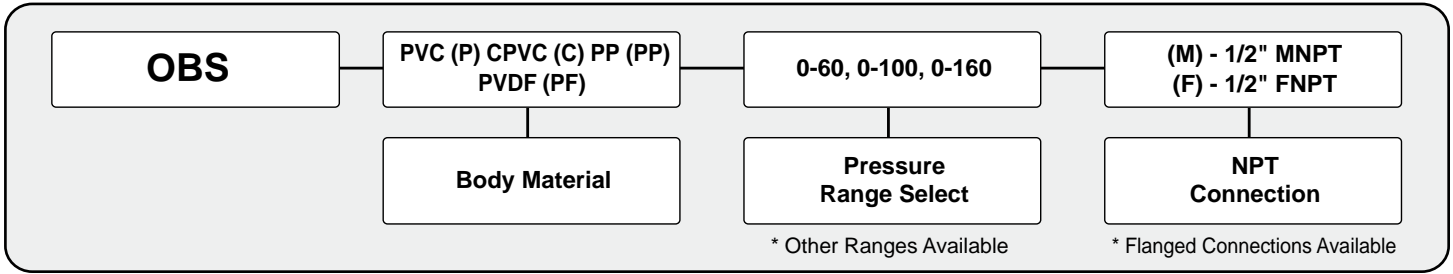
FEATURES

- All Plastic (Gauge + Isolator) Filled
- Heavy Duty Design; Simple to Install
- Completely Corrosion Resistant
- Designed to Act as Visual Pressure Alert for Bag/Filter Change-Out
- Extra Large Colored Display
- Reduces Pressure Surges caused by Water Hammer or Metering Pump Pulsations
- Highest Accuracy in Industry 1.5%
- No Filling Required
- Glycerin (Std) or Silicone (Opt)
- One-Piece Molded Design (No Assembly)
- Suitable for Corrosive Media + Slurries

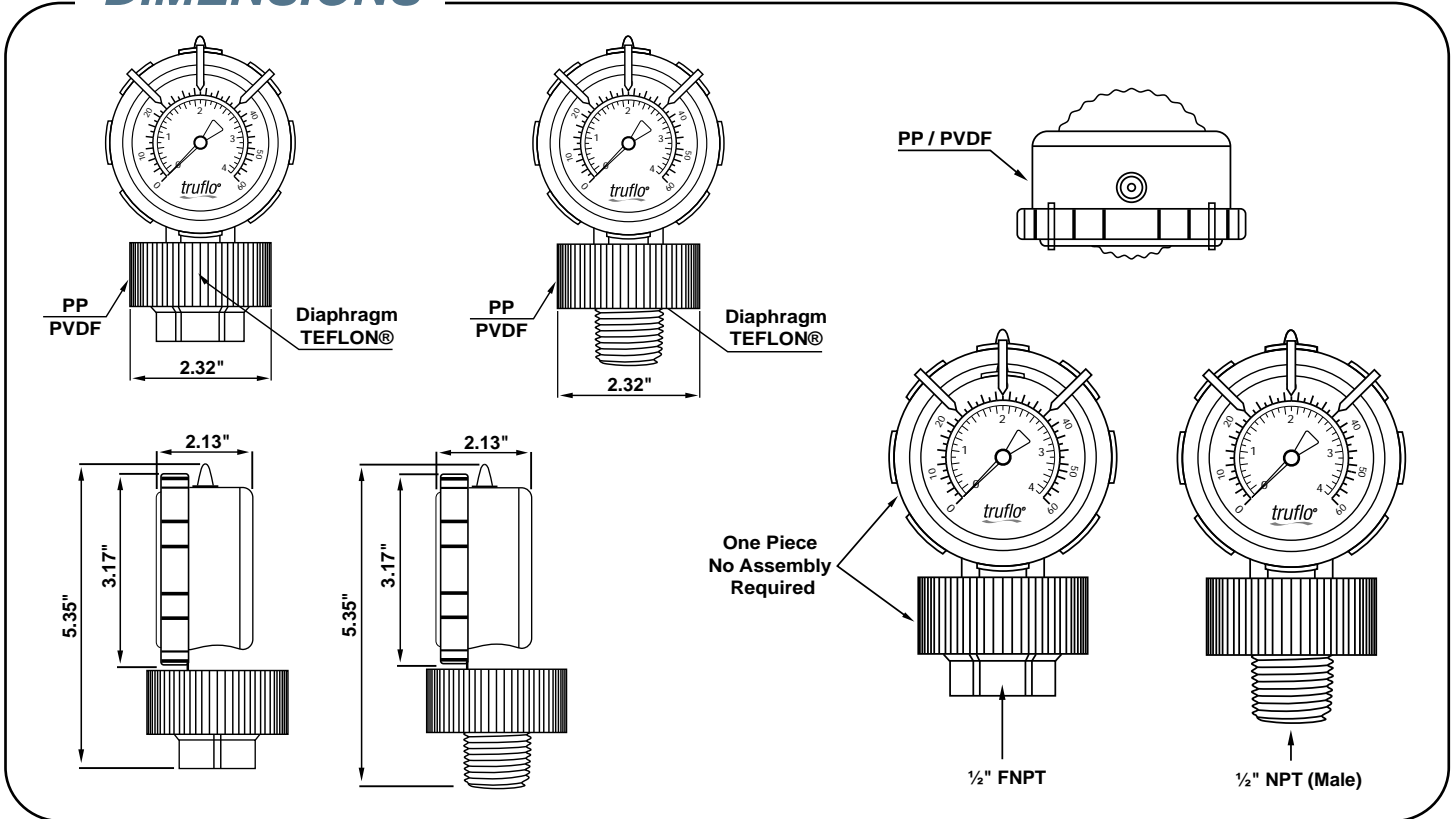
SPECIFICATIONS

Dial Diameter	Large 2½" (Big Numbers-Clear Markers)
Mounting	Direct Mount, Bottom Connection ½"
Housing	PVC, CPVC, PP, PVDF, PTFE Teflon Diaphragm - One Piece Molded Design
Lens	High Impact Polycarbonate
Dial	Red & Black Scale White Background, dial arc 270°
Measuring Principle	Bourdon Tube-SS316 (Non Wetted) Diaphragm - Teflon
Movement	SS316 (Non Wetted)
Gauge	Red, Yellow, Green Movable Plastic Pressure Markers
Connection	1/2" (M) (F) NPT - ANSI 150 LB Flange
Filling	Glycerin or Silicone (Opt)
Accuracy	±1.5% F.S.
Operating temperature	PVC-140°F, CPVC 180°F, PP-175°F, PVDF-225 °F
Pressure Range	Standard range 0-60 / 0-100 / 0-160 PSI (Second Scale: kPa) Other units available, e.g., bar, MPa, etc.

HOW TO ORDER



DIMENSIONS



INSTALLATION

Do not tighten by grasping the case of the gauge as this may cause damage.

1. Before installing the OBS Series pressure gauge, ensure attention is given to the Process Liquid, Chemical Compatibility, Temperature, Vibration, Pressure Spikes, and other climatic and application conditions that may adversely affect the performance.
2. The user shall ensure that the correct gauge pressure range and the correct materials of construction are selected.

