

# OBS-LC SERIES

Battery Operated Pressure Gauge & Isolator

Order from:  
**C A Briggs Company**

622 Mary Street; Suite 101  
Warminster, PA 18974

Phone: 267-673-8117 - 800-352-6265

Fax: 267-673-8118

Sales@cabriggs.com - www.cabriggs.com



- One Piece Plastic Design
- Battery Operated
- Digital Combo Gauge + Isolator



SERIES : OBS-LC

CONNECTION: 1/2" (M) (F) NPT, 150lb ANSI Flange

DIAPHRAGM : PTFE Teflon/FPM Backing



All Plastic Design (Gauge + Isolator )

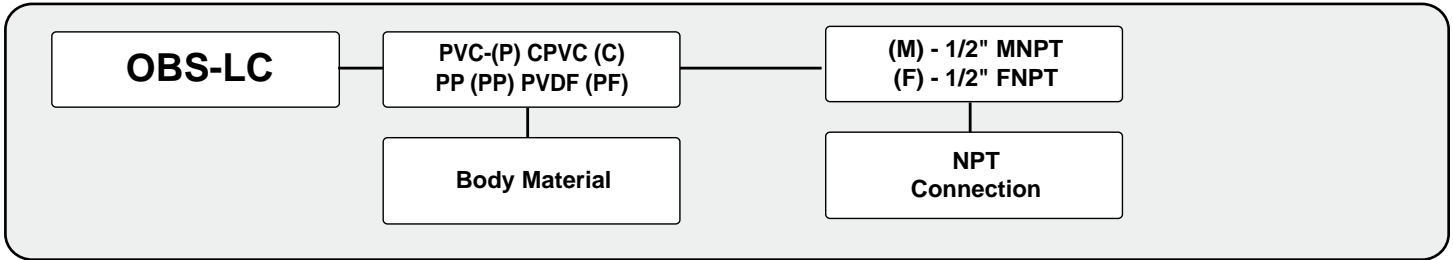
## FEATURES

- All Plastic (Gauge + Isolator)
- No Filling Required
- Heavy Duty Design; Simple to Install
- Completely Corrosion Resistant
- Extra Large LCD Display
- Reduces Small Pressure Surges caused by Water Hammer or Metering Pump Pulsations
- Highest Accuracy in Industry  $\pm 1\%$
- One-Piece Molded Design (No Assembly)
- Suitable for Corrosive Media + Slurries
- No Programming Required
- PTFE Diaphragm - Standard
- Replaceable Lithium Battery
- Long Life (3 Years)

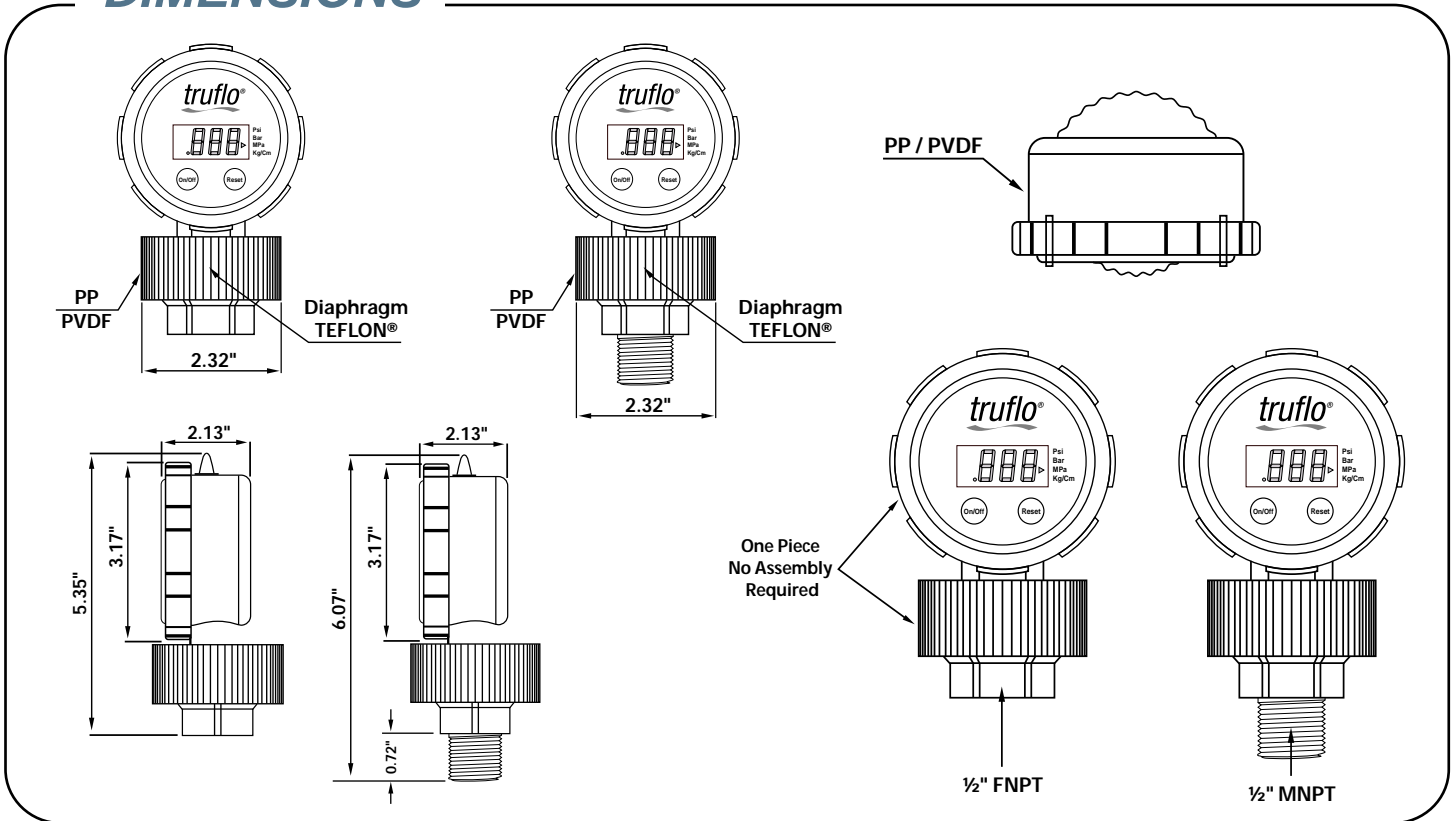
## SPECIFICATIONS

Dial Diameter	Large 2½" (Big Numbers)
Mounting	Bottom Connection 1/2 "
Housing	PP, PVDF PTFE Teflon Diaphragm
Lens	One Piece Molded Design (No Assembly)
Display	Liquid Crystal Display -LCD
Programming	Push-Button
Accuracy	$\pm 1.0\%$
Operating temperature	PVC -140° F CPVC 180°F, PP-170°F PVDF-195°F
Connection	1/2" (M) (F) NPT - ANSI 150 LB Flange
Pressure Range	150 PSI- (10 bar)

### HOW TO ORDER



### DIMENSIONS



### INSTALLATION

Do not tighten by grasping the case of the gauge as this may cause damage.

1. Before installing an OBS Series pressure gauge, consideration should be given to temperature, humidity, vibration, pulsation, shock and other climatic and ambient conditions of the service application, and to the possible need for protective attachments and / or special installation requirements.

2. The user shall ensure that the correct gauge has been selected with the correct range and construction.

