

- ZIRCONIUM CERAMIC SHAFT + BEARINGS
- ALL PLASTIC CONSTRUCTION
- EXTRA LONG LIFE

PP

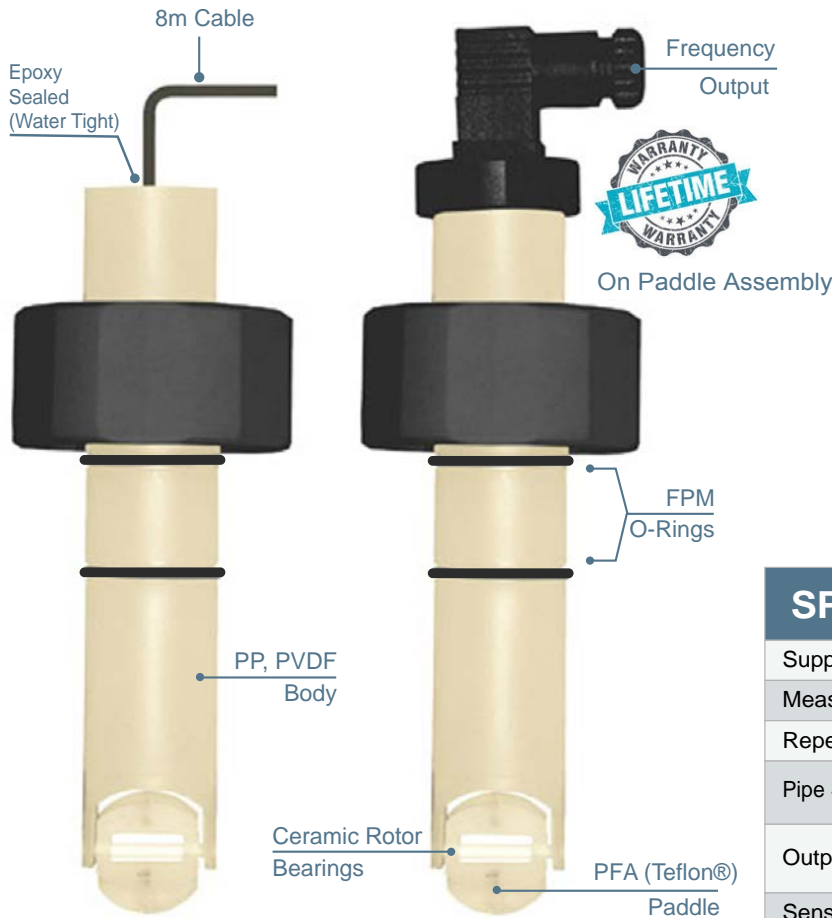
PVDF

PFA

**RoHS**  
Compliant

**CE**

**SERIES : LS**  
**CONNECTION : 1 1/4" G Type Thread**



### SPECIFICATIONS

Supply Voltage	5-24 VDC
Measuring Accuracy	±0.75% of Full Scale
Repeatability	±0.5% of Full Scale
Pipe Size	0.5 to 4 inch (DN15to DN100) (TO) 6 to 24 inch (DN150 to SN600) (T1)
Output Frequency	60.5 Hz per m/s nominal, 18.45 Hz per ft/s nominal
Sensor Body Material	PVDF, PP
Rotor Material	PFA (TEFLON®)
Shaft and Bearings Material	Zirconium Ceramic (ZrO2)
O - Rings Materials	FPM Viton® EPDM (Opt)
Electrical Connection	DIN Mini-Connector 43650- A (IP65) Electrical Cable (IP68)
Cable Type	3 conductor + Shield .26AWG.PVC
Reverse Voltage Protection	Included As Standard
Viscosity Range	0.5 to 20 Centi Stoke (cst)
Maximum Particle Size	<10% with Particle Size (<0.5mm cross section or length)
Maximum Operating Temperature	PP (-4F - 185F) PVDF (-40F- 240F)
Pressure / Temperature	PVDF 200 psi @ (-22 - 86F) 25psi @ 185F PP 180 psi (-20 -85F) 25psi @180F
Storage Condition	PP, PVDF Body (-30- to 90°C)
CEEMC Certificationz	EN 55022:1998

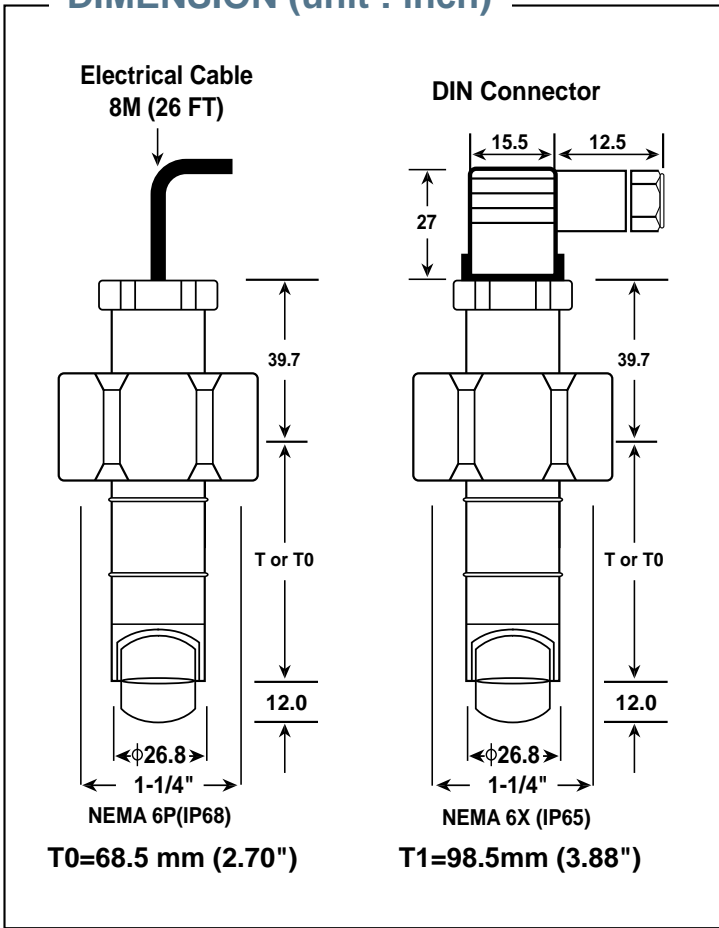
### FEATURES

- Excellent Chemical Resistance Size Range 1/2"-24"
- Measuring Flow Range (0.33 to 26 ft/s)
- Easy To Install
- Quick Disconnect DIN Connection
- High Accuracy 0.75% of Full Scale
- Extra Long Lasting PFA Teflon® PADDLE
- NEMA 4X (IP65) or NEMA 6 (IP68) Rating
- Zirconium Ceramic Shaft & Bearings
- Excellent Double O-Ring Seal
- High Pressure Rating (Up to 200 PSI)
- Retrofits into Signet Fitting or Saddle Connection

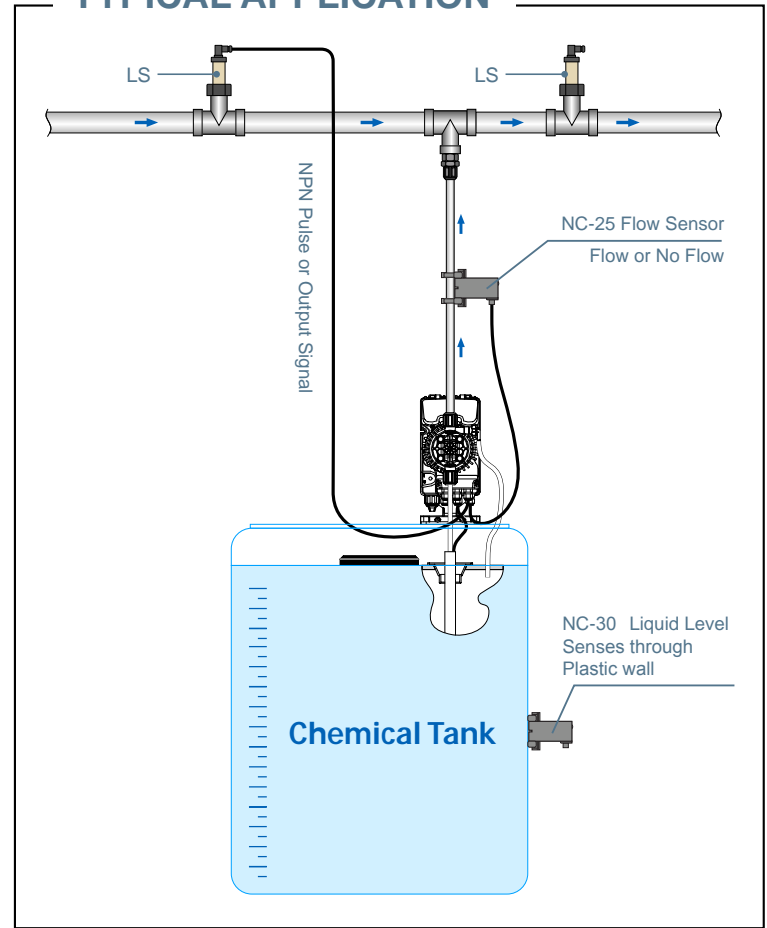
LS

	Sensor Body Material	Sensor Length-Pipe Diameter	Electrical Connection/Protection Class	O-rings
3	PP	0 (1/2"-4")	D DIN mini-connection 43650-A/IP65	F FPM (Viton)
5	PVDF	1 (6"-24)	E Electrical cable 8 Meters -IP68	E EPDM

### DIMENSION (unit : inch)



### TYPICAL APPLICATION



### TERMINAL CONNECTIONS

