

Truflo GI Series Gauge Isolators allow inexpensive pressure gauges, or any other pressure instrument to be used in corrosive services. The upper chamber (gauge side) is filled with a stable fluid such as glycerin or silicone. A Teflon diaphragm separates it from the lower chamber which receives the media under pressure. Customers can easily fill isolators and install their own gauges.

PVC

CPVC

PP

PVDF

SERIES : GI

INLET PROCESS CONNECTION : 1/2" (M) (F)
NPT, BSP, ANSI Flanged

INSTRUMENT CONNECTION : 1/4" Threaded

DIAPHRAGM : PTFE/FPM Backing

FEATURES

Easy to Mount Gauges

- No special equipment is required.
- Perfect Mate for Truflo OBS Plastic Gauges

Provision for Fill Port

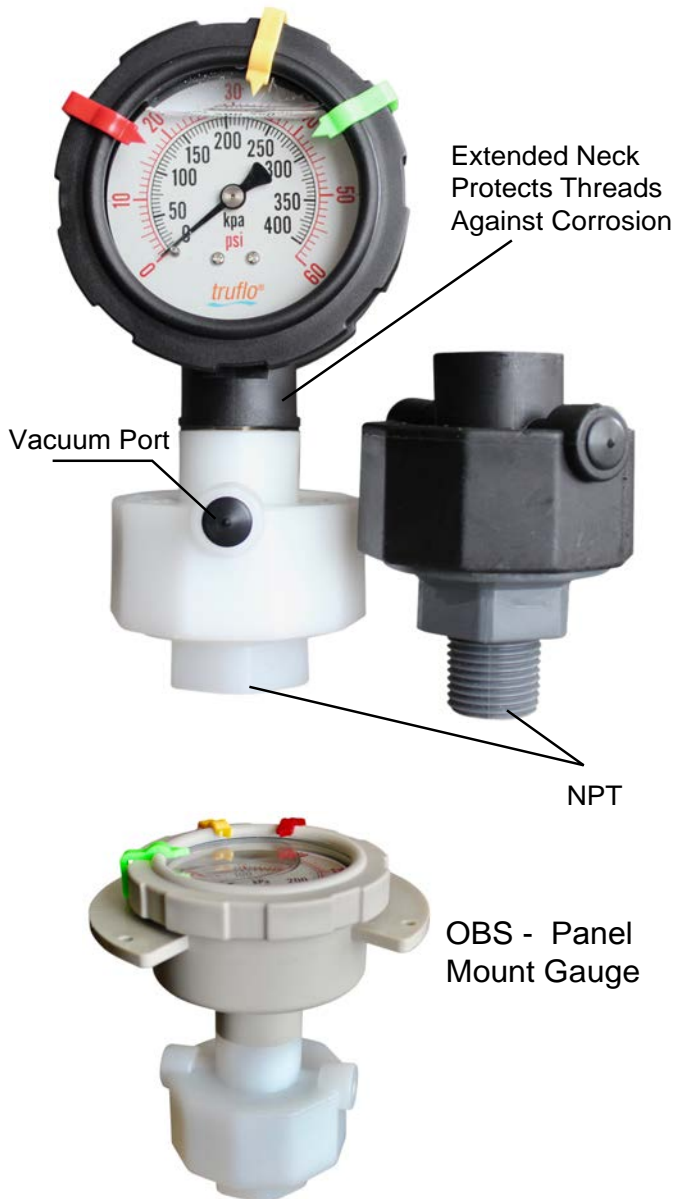
- Housing has a threaded vacuum port for extracting any trapped air during the filling process

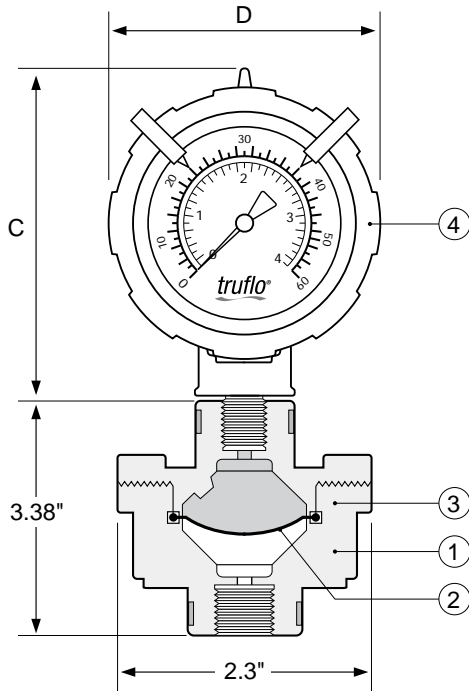
High Chemical Resistance

- Choice of body materials for a wide range of applications
- PTFE bonded FPM dished diaphragm for high chemical resistance and sensitivity

Heavy Duty Design for Safety

- Small Footprint
- Heavy wall connection ports





PARTS

No.	Part	Materials
1	Lower Process Body	PVC, CPVC PP, PVDF
2	Diaphragm	PTFE/FPM Backing
3	Bonnet	PP/PVDF
4	Optional Gauge	See below

OPTIONAL GAUGES

Truflo offers the gauges listed below mounted to isolator and pre-filled with glycerin, silicone or special fluid for chlorine applications. Truflo gauges have a PP plastic housing and the dials and cases are filled with either glycerin or silicone for corrosion resistance and dampening.

Truflo GI gauge isolators are not recommended for vacuum applications. They will not affect the gauge accuracy as low as 3" water pressure or 0.1 psi.

OTHER OPTIONS

Flanged inlet connections

DIMENSIONS (INCHES)

Gauge Diameter	Item No.	Gauge Connection	Housing	Bourdon Tube	Window	Accuracy	Dimensions	
							C	D(max.)
2-1/2"	OBS-xx	1/4"	316 SS	316 SS	Polycarbonate	±.75% of span	3.6	3.1
2-1/2"-Double-Sided	OBS-DGOxx-SS	1/4"	316 SS	316 SS	Polycarbonate	±.75% of span	3.6	3.1
2-1/2" Back Mount	OBS--xx-SS/BM	1/4"	316 SS	316 SS	Polycarbonate	±.75% of span	3.6	3.1

xx denotes the maximum gauge pressure i.e., 30, 60, 100, 160 psi. See data page for recommended working pressures. Other Ranges are available

WORKING PRESSURES (PSI)

WEIGHTS

Material	10 – 20°C 50 – 68°F	30°C 86°F	40°C 104°F	50°C 122°F	60°C 140°F	70°C 158°F	80°C 176°F	90°C 194°F	100°C 212°F	120°C 248°F	Net Weights Pounds ³
PVC	150	100	80	45	15	-	-	-	-	-	1.0
PP	150	125	100	80	65	45	-	-	-	-	0.7
PVDF	150	150	150	125	105	85	70	60	45	30	1.3

Temperature Ranges: **PVC** 0 to 60°C (32 to 140°F), **PP** 10 to 80°C (50 to 176°F), **PVDF** -30 to 120°C (-22 to 248°F).

ORDERING EXAMPLE

Gauge Isolators	GI	PP	M
Body Material	P – PVC C – CPVC PP – PP PF – PVDF		
Instrument Connection	(M) MNPT, (F) FNPT, (FL) ANSI 150		