

- Super Bright LED Digits
- NEMA 4X Enclosure
- Security Protection

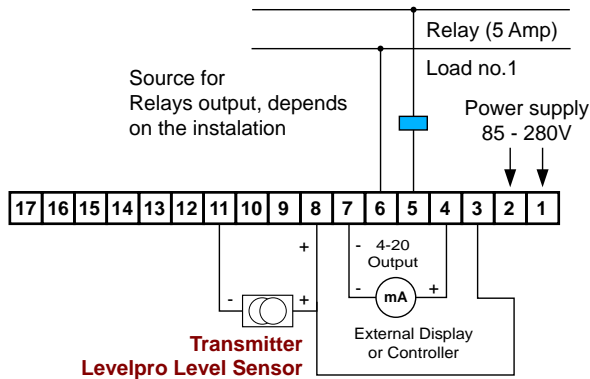


**RIS-15**  
IR Remote Controller  
Remote controller is not a part of the device and is available on request.

The TVL Series Process Meter features an easy, functional programming Menu and a clear 4-Digit, 20 mm high "Bright" LED display. The tight enclosure with high protection NEMA 4X makes it an ideal choice for heavy-duty applications. The optional infrared controller can be used to change the settings without opening the enclosure.



**PIN ASSIGNMENT**



**FEATURES**

- All in One - Controller + NEMA 4X Enclosure
- Input : 4-20 mA
- 1 Relay + 4-20mA Output or 2 Relay Output
- Input 120VAC- Output : 24V DC for Sensor
- RS-485/ Modbus RTU Standard
- Signal Peak Value Detection
- 3 Wire Cord Grips Included
- 8 Levels of Brightness- Suitable for Sunny Locations

**SPECIFICATIONS**

Power supply	85 - 260V AC
Display	LED, 4 x 20 mm High, Red, Adjustable Brightness.
Displayed values	-999 - 9999 - decimal point
Input	Current: 0-20 mA or 4-20 mA,
Accuracy	0.1% @25°C One Digit
Stability	50 ppm/°C
Outputs (option)	2 x Relays (5A), 1 x Relay (5A) + 4-20 mA
Passive current output (option)	4-20mA, (Operating Range Max. 2.8 - 24 mA,)
Communication Interface	RS-485
Operating temp	-40 - 158 °F (-40 -70 °C)
Storage temp	-40 - 158 °F (-40 -70 °C)
Protection class	NEMA 4X (IP65)
Case	Wall-Mounted; Material: Polycarbonate
Dimensions (WxNxH)	110 x 105 x 67 mm

**ACCESSORIES**



**IR Remote Controller**  
**RIS-15**

**ORDERING**

Part Number	Input	Output
TVL-550-1821	4-20 mA	2 Relay
TVL-550-1829	4-20 mA	4-20mA +1 Relay