

PROALERT-1000 SERIES

Industrial Visual/Audible Sentry Alarm System

Order from:

C A Briggs Company

622 Mary Street; Suite 101

Warminster, PA 18974

Phone: 267-673-8117 - 800-352-6265

Fax: 267-673-8118

Sales@cabriggs.com - www.cabriggs.com



PROALERT 1000



FEATURES

- High Intensity Red Alarm Light
- 90 dB Audible Alarm with External Test-Silence-Normal Positions
- Rugged NEMA 4X Industrial Design Enclosure
- Latching Lockable Cover (No Screws Required) Lockable
- External Mounting Feet Installs in Minutes
- UL Listed Enclosure (CSA)
- High Impact All Plastic Polycarbonate Shell
- Small Foot Print - Compact Design
- Excellent Chemical Resistance
- Includes 6' Power Cord + Water-Tight Cord Connector

TYPICAL APPLICATIONS

- High/Low Level Sensing for Tanks/Sumps
- Bag/Filter Change out
- Leak Detection
- Flow/No Flow Sensors - Pump Protection
- Upset Condition Notification

SPECIFICATIONS

- Dimensions 7" X 5" X 4.5"
- Enclosure NEMA 4X
- Weight 2.1 lbs.
- Voltage/Freq/Amps 120v/60Hz/1 Amp
- Input Power 100 -240 VAC



PROALERT-1000 SERIES

Industrial Visual/Audible Sentry Alarm System

Order from:
C A Briggs Company
 622 Mary Street; Suite 101
 Warminster, PA 18974
 Phone: 267-673-8117 - 800-352-6265
 Fax: 267-673-8118
 Sales@cabriggs.com - www.cabriggs.com

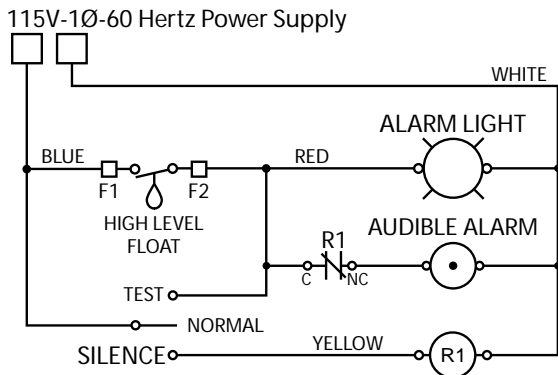


ALARM INSTALLATION

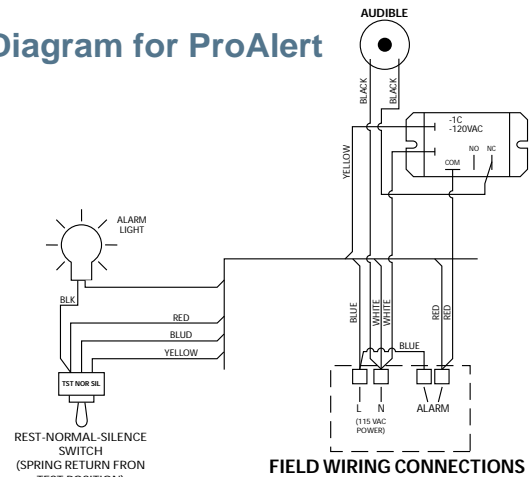
- Decide Mounting location.
- Install the unit using the built-in mounting feet.
- Hook the 120 VAC plug into a 120 VAC receptacle on a separate branch circuit from the one used for the sensor/float switch to ensure proper notification.
- Connect Switch/Sensor Following Manufacturers Instructions.
- Switch the toggle switch to the "Normal" position. Manually test the alarm by powering the sensor/float switch until you hear the alarm notification and you see the alarm light turn on.
- Periodically test unit by moving the toggle switch to the "Test" position recommended prior to filling or draining.
- The audible alarm can be silenced by moving the toggle switch to the "Silence" position. Ensure the toggle switch is typically left in the "Normal" position for proper alarm notification.



ELECTRICAL SCHEMATIC



Wiring Diagram for ProAlert



WARNING

ELECTRICAL SHOCK HAZARD

Disconnect power before installing or servicing this product. A qualified service person must install and service this product according to applicable electrical and plumbing codes.



WARNING

EXPLOSION OR FIRE HAZARD

Do not use this product with flammable liquids. Do not install in hazardous locations as defined by CSA, ANSI/NFPA 70.



Failure to follow these precautions could result in serious injury or death. Replace product immediately if switch cable becomes damaged or severed. Keep these instructions with warranty after installation. This product must be installed in accordance with CSA, ANSI/NFPA 70 so as to prevent moisture from entering or accumulating within boxes, conduit bodies, fittings, float housing, or cable.

MODELS

- **PA-1000-ProAlert**
120V-Dry Contact Input
- **PA-1000-PR - SSR -PNP/NPN**
Pulse Input-Timer Relay Signal

