

NC30 SERIES

Non-Contact Liquid Level & Flow Switch

Order from:
C A Briggs Company

622 Mary Street; Suite 101
Warminster, PA 18974

Phone: 267-673-8117 - 800-352-6265

Fax: 267-673-8118

Sales@cabriggs.com - www.cabriggs.com



- Non-Contact
- Senses through Wall
- Relay Output

Conductive and Non-Conductive Liquids

The NC30 Non-Contact liquid Level/Flow Sensor + Relay has been designed to sense the presence of liquid (conductive and nonconductive) through non metallic Plastic Tanks, Drums, Pipes and Tubing



FEATURES

- All Plastic PP Design
- Non-Intrusive Liquid Level / Flow Detection through Plastic or Fiberglass Walls
- Small Footprint-Easy to Install
- LED Display
- M12 Disconnect or Fixed Cable Connector
- Measure up to 2" Pipe Diameter - Sch 40, 80, SDR 11
- Senses up to 0.3" (8mm) Wall Thickness

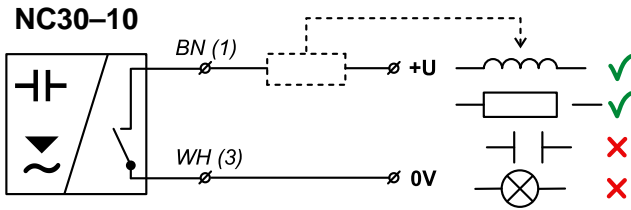


MODELS	NC30-10	- V Design sensing electrode face for piping and tubing applications.
		NC30-11

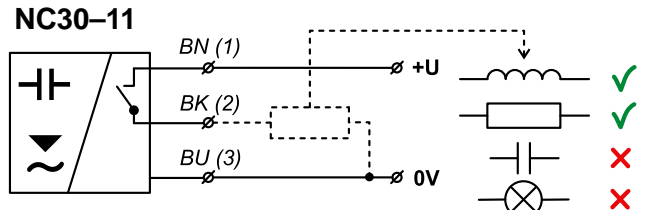
SPECIFICATIONS

Supply voltage		6 ... 30 V DC
Supply current	- Output type Pulse - Output type S-Relay	Max. 0.6 / 7 mA (OFF / ON state) Max. 0.6 mA (OFF state)
Switched current (Min. / Max.)	- Output type Pulse - Output type S-Relay	100 mA 3.3 mA / 40 mA
Remanent voltage – ON state	- Output type Pulse - Output type S-Relay	1.8 V 6.0 V
Switching frequency		Max. 1 Hz
Max. thickness of the vessel wall	- Conductive liquids - Non-conductive liquids with $\epsilon_r < 10^*$	0.3 Inches (8 mm) 0.11 Inches (3 mm)
Ambient temperature range		-20 ... +80°C
Temperature range at the tube or vessel surface		-20 ... +90°C / +60°C
Housing material		Plastic (PP)
Protection class		NEMA 4X IP67
Cable Connection		PVC PVC
Weight (including 2 m cable)		Approx. 60 g

ELECTRICAL CONNECTION



Connection scheme of sensor with "S" type output



Connection scheme of sensor with "PNP" type output

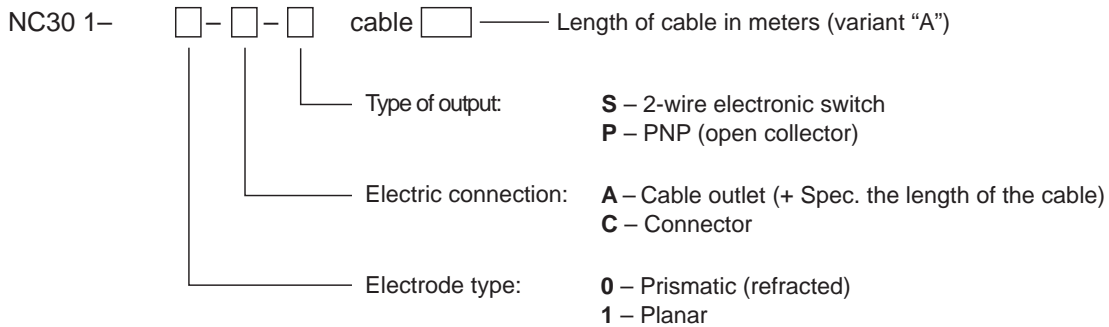
Note:

The sensor output is short circuit protected.
 Shielded Cable is recommended

Legend:

- BN – Brown
- WH – White
- BU – Blue

ORDER CODE



DIMENSIONS DRAWINGS

