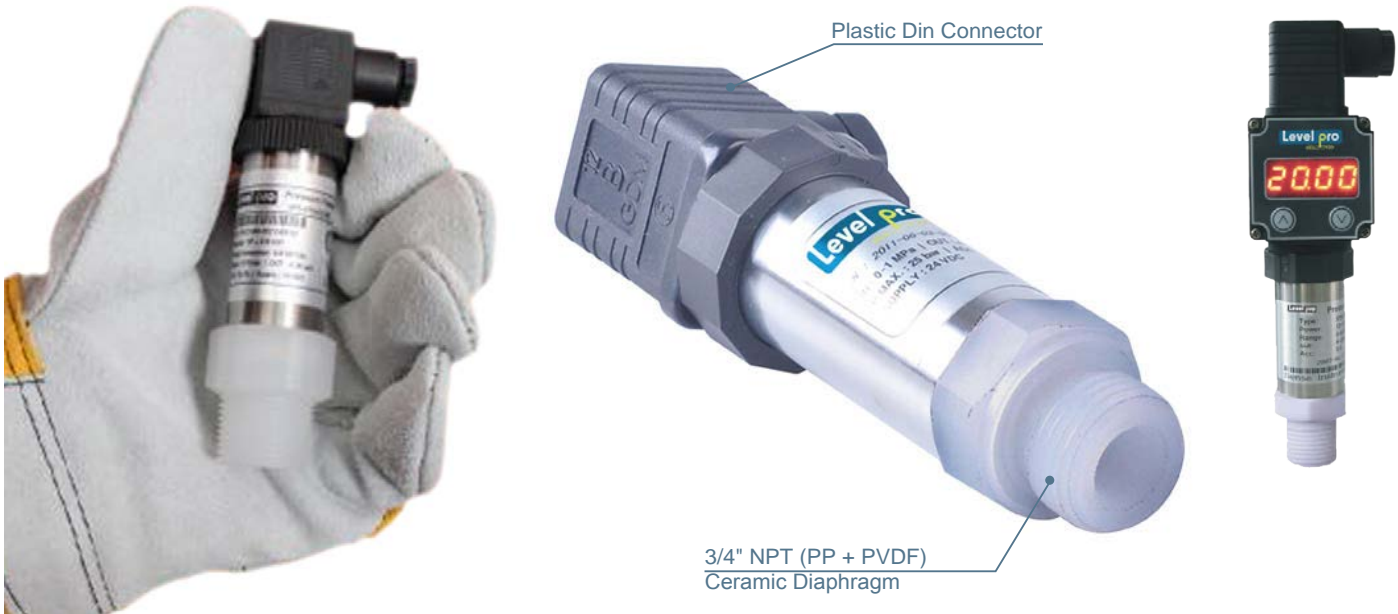


The Levelpro LP200 was designed to measure Pressure or Level within industry's most demanding corrosive process applications. When measuring pressure It can be mounted vertically or horizontally, and can easily be installed into any 3/4" NPT process pipe tee fitting. For level measurement applications the LP200 can simply be mounted into the side of the tank utilizing a 3/4" NPT bulkhead or weld-o-let fitting

The LP200 implements a state of the art ceramic measuring principle that changes the physical pressure which equates to no more than a few microns into a linear electronic signal that can be measured. This minimal deformation equates to negligible material strain of the ceramic electronic pressure-sensing diaphragm resulting in high resistance to alternating loads and long-term durability. Exactly what is required for tough industrial applications.



### Typical Applications

- Chemicals (Acids + Bases)
- Tank Level
- Industrial Process Piping
- Vapor Pressure
- Leak Detection Equipment
- Environmental Protection
- Scrubbers Filter or Strainer Notification
- Leachate Collection
- Weir Flow
- Scrubbers

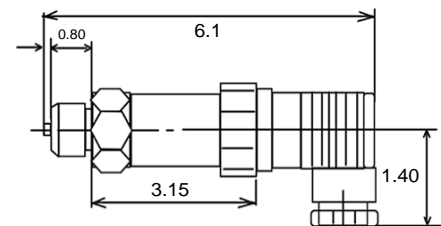
### Features

- PP, PVDF 316 SST Body
- Large Pressure Range : 0 - 225 Psi
- Output : 4-20mA -2 Wire Loop Powered
- NPT Connection
- Ceramic Sensing Diaphragm
- Plug & Play Design
- High Accuracy
- No Programming Required
- Temperature Compensated
- Excellent Chemical Resistance

### SPECIFICATIONS

Range	0 - 225 PSI (Other Ranges Available)
Medium	Gas & Liquid
Accuracy	0.02% or 0.05% F.S
Working pressure	18~36V DC
Output signal	4~20mA (two-wire)
Medium temp	-30 ~ 85°C
Environment temp	-30 ~ 80°C
Store temp	-30 ~ 80°C
Temp. effect	±0.02% FS
Pressure connector	3/4" NPT
Connection	DIN Hirschmann Connector,

### Dimensions

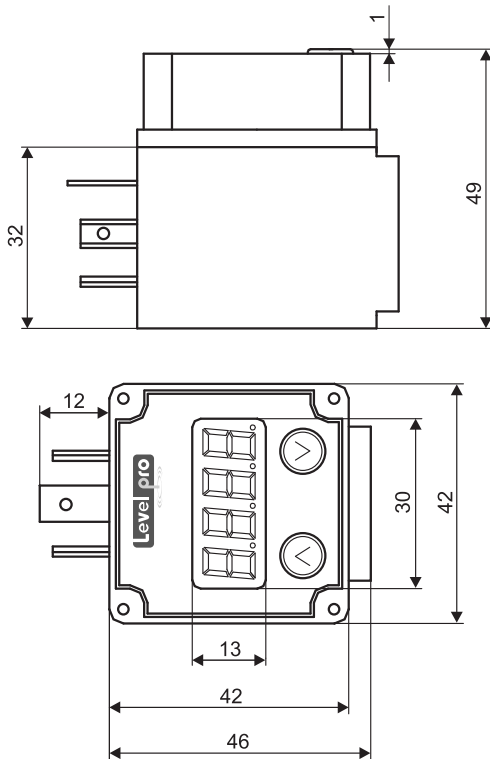




## Features

- Local Display of Measured Value
- Direct Mounting
- 4-digit Bright LED
- Easy 2 Button Programming
- Relay Output
- Powered from current loop (4-20 mA)

## Dimensional Drawing

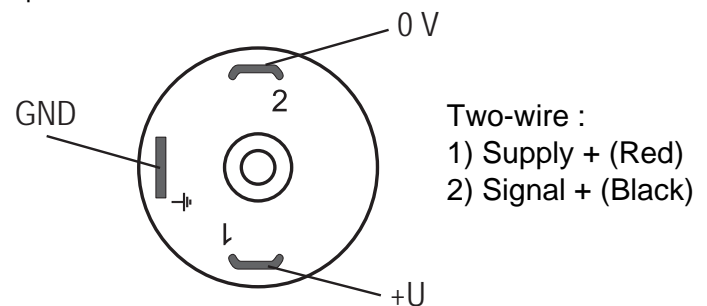


## SPECIFICATIONS

Input signal	4 ... 20 mA
Voltage drop	< 2.5 V
Accuracy	0,1 % ± 1 digit
Display	4 digit, LED, height of digit 7mm
Ambient temperature range	-20 ... +70°C
Storage temperature range	-30 ... +85°C
Connection	Connector acc. to DIN 43 650
Housing	plastic ABS
Protection class	IP65
Dimension	42 x 46 x 49 mm
Weight	approx. 80 g

## Electrical Connection

Positive pole (+ U) is connected to pin No. 1, negative pole (0 V) is connected to pin No. 2. The plug-on display is powered by the current loop of the 4 to 20 mA, no additional auxiliary power is required.



## ORDERING

Size	Part Number	Material
3/4"	LP200-PP	PP
3/4"	LP200-PF	PVDF

\* Add Suffix-'L' after part number for addition of LED Display