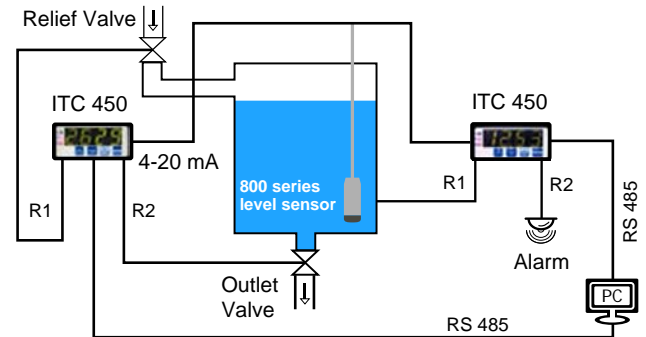
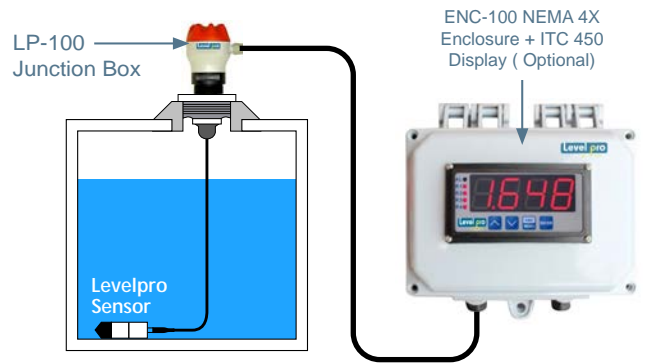


- Super Bright LED Digits
- NEMA 4X Enclosure
- Security Protection



Typical Application



Level Control

FEATURES

- Large Bright LED Display
- Deceleration of Relay Outputs
- Adjustable Display Brightness
- 4 - 20 mA + 2 Relays Output
- 4-digit LED Display
- Sensor Power Supply 24 VDC Output
- RS-485 (Modbus RTU)
- Easy to Program
- 4 Configurable Relays (5 amp)
- Standard Dimensions for Retro fit
- NEMA 4X Front Plate

SPECIFICATIONS

Power supply / Power consumption	Standard: 85 ... 260 VAC, Max. 4.5 VA or W
Input Signal	Standard 0/4 - 20 mA
Contact	2 SPST - Relays or 4 SPST Relays.
Switching Voltage	Max. 250 VAC
Switching Current	Max. 5AMP
DC Output	24 VDC to Sensor
Operating temp	-40°F -122°F (-40 -50°C)
Storage temp	-40°F -122°F (-40 -50°C)
Operating temp	-40°C ÷ +50°C
Electrical safety	CSA
Display	4-digit LED display, red, 4 x 20 mm
Range of indication	- 999 ... 9999 + decimal point
Accuracy (25°C)	± 0.1 % FSO
Housing dimensions	96x 48 x 98 mm
Housing	Panel Mount
Housing material	NORYL-GFN2S E1

ORDERING

Part Number	Input	Output
ITC 450-1121	4-20 mA	4 Relay
ITC 450-1129	4-20 mA	4-20mA + 2 Relay