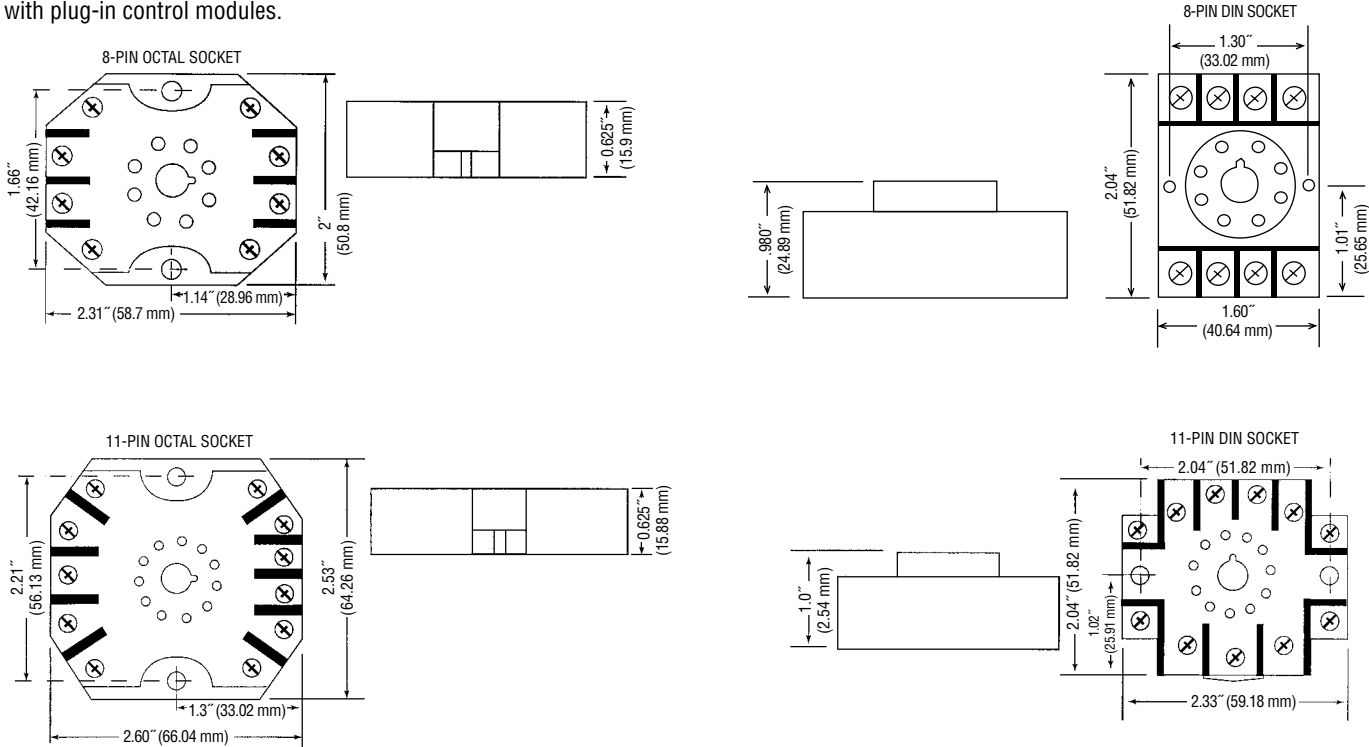


Sockets and Standoffs – 16, 26 and DF Series Only



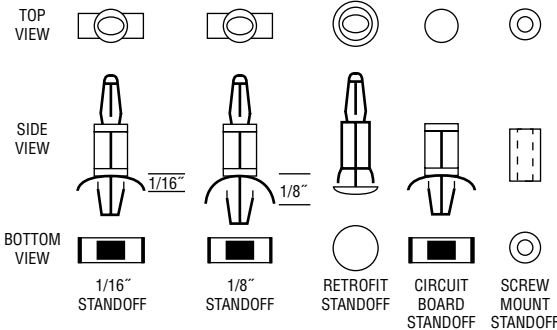
Sockets

Warrick provides four different types of sockets for use with plug-in control modules.



Standoffs

Warrick provides four different types of standoffs designed to connect circuit boards to panels.



WARRICK CONDUCTIVITY SENSORS