

# Series 26 Modules Low-Water Cutoff – Plug-In Modules

- ▶ Powered Contacts
- ▶ Modular Plug-In Design
- ▶ Low Voltage Sensor
- ▶ 11-Pin Socket
- ▶ U.L. "Limit Control"
- ▶ Optional Dirty Electrode Detection
- ▶ Optional Manual Reset Button Feature.
- ▶ Optional Power Outage Feature Ignores Nuisance Outages and Resets When Power is Restored
- ▶ Solid State Reliability
- ▶ LED Monitoring
- ▶ Time Delays Available
- ▶ Meets CSD1 Requirements
- ▶ Optional Test Feature



Series 26M

## Series 26M – General Purpose Control

Series 26M is designed for low-water cutoff protection. This control meets CSD1 requirements for boiler low water cutoff. Series 26M features powered contacts. If non-powered contacts are required, request information on Series 26NM.

## Specifications

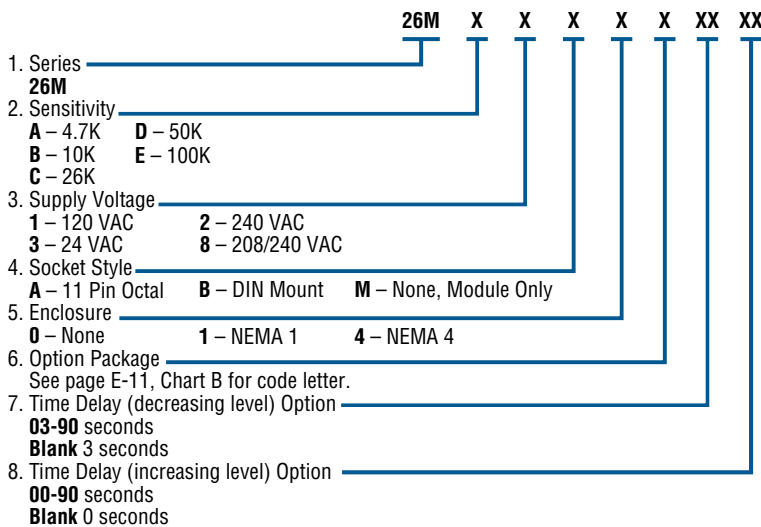
<b>Contact Design</b>	1 N.O. & 1 N.C. (powered)
<b>Contact Rating (24/120/240VAC)</b>	10 amp Resistive 1/3 hp
<b>Mode of Operation</b>	Direct
<b>Sensitivity</b>	0 - 26K ohm, factory set
<b>Primary Voltage</b>	24 VAC, 120 VAC, 240 VAC <sup>1</sup>
<b>Secondary Voltage</b>	12 VAC
<b>Temperature</b>	-40°F to +150°F (-40°C to +65°C)
<b>Approvals<sup>1</sup></b>	U.L. 353 File # MP1430
<b>Terminal Style</b>	Screw connector
<b>Options</b>	Time Delays, Power Outage, Manual Reset, Test Feature, Dirty electrode detection; See page E-11 for descriptions

### Notes:

- 240 VAC and 208/240 VAC units do not carry U.L. Limit Control recognition.

## How to Order

Use the **Bold** characters from the chart below to construct a product code.

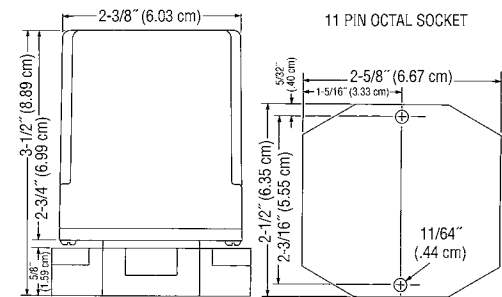


Socket Details and Option Availability are located on web site.

## Applications

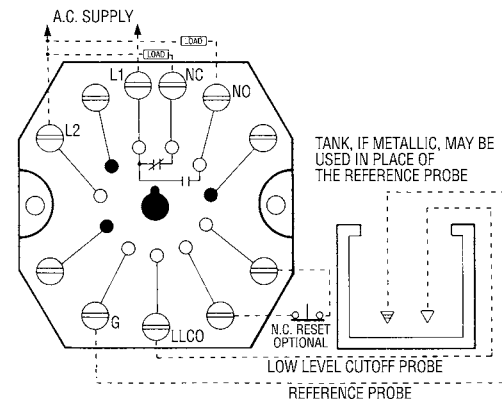
- Low-Water Cutoff
- Point Level
- Alarms

## Dimensions



Note: Controls also available with DIN mount socket.

## Wiring



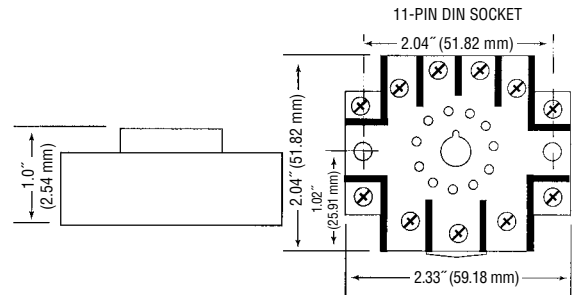
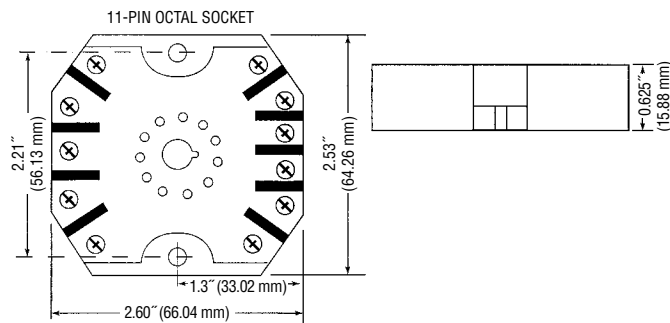
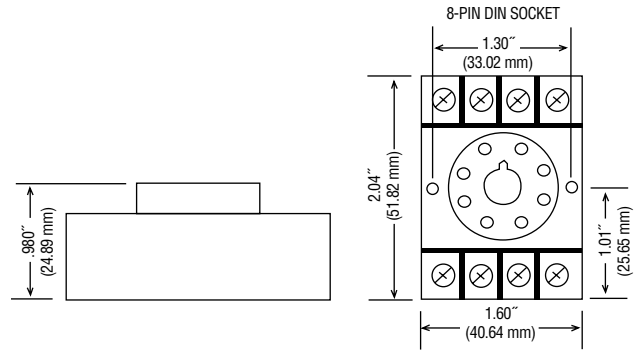
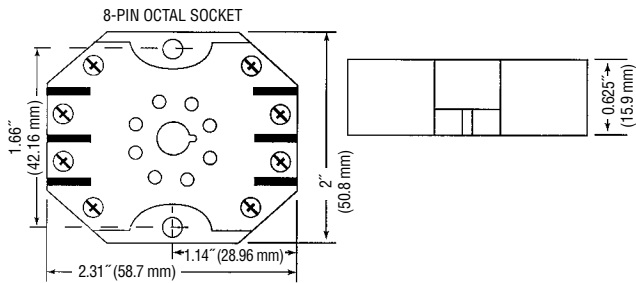
Caution: Contacts are powered. If non-powered contacts are required, request information on Series 26NM.

## Sockets and Standoffs – 16, 26 and DF Series Only



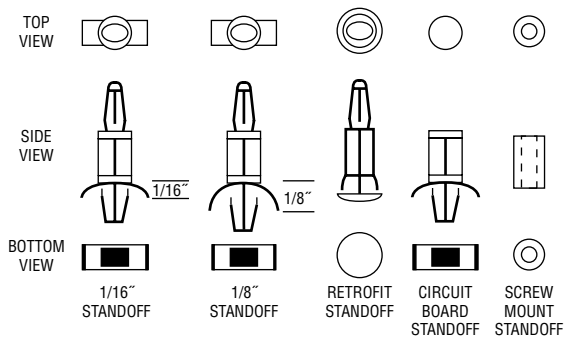
### Sockets

Warrick provides four different types of sockets for use with plug-in control modules.



### Standoffs

Warrick provides four different types of standoffs designed to connect circuit boards to panels.



# Optional Character Reference – 16, 26 and DF Series Only

## Manual Reset

### Available on Series 26, 26M and DF controls

(Normally closed pushbutton across reset terminals. Pushbutton ordered separately): Manual reset only applies to the function associated with terminal LLCO. When the liquid rises to the electrode on terminal LLCO, the control will remain de-energized (load contacts in original state) until the pushbutton is depressed. The control will then energize, (LED will be lit) changing the state of the contacts. The control remains energized until the liquid level recedes below electrode on terminal LLCO. The control then de-energizes, (LED will go off) returning load contacts to their original state. Unless otherwise specified, there is a three second time delay on decreasing level. Liquid must be below probe on terminal LLCO for full three seconds before control de-energizes.

## Manual Reset with Power Outage Feature

### Available on Series 26, 26M, and DF controls

Reset (Normally closed pushbutton across reset terminals. Pushbutton ordered separately) Control will ignore power loss to control. With liquid in contact with electrode on terminal LLCO, a power outage will cause the control to de-energize, but will automatically energize upon return of power. However, loss of liquid will cause control to de-energize and remain so until liquid again rises to electrode and pushbutton is depressed.

## Time Delays Associated with Terminals H and L

### Available on Series 16, 16M, and DF controls

With time delay on increasing level, the liquid must be in contact with the high electrode for the full duration of the time delay before control will operate. With delay on decreasing level, the liquid must be below the low electrode for the full duration of the time delay before control will operate. In single level service, terminals 3 and 4 must be jumpered together to achieve time delays on both increasing and decreasing levels or just decreasing level.

## Time Delays Associated with Terminal LLCO

### Available on Series 26, 26M, and DF controls

3 Second time delay on decreasing level is standard. Delay up to 90 seconds, can be specified and would act in the same manner as listed above.

## Time Out Option

### Available on Series 16, 16M, and DF controls

The latching circuit for the high and low electrode has an optional timer. In some applications the High or Low electrode may become short circuited or disconnected. Such an occurrence may potentially over fill in fill applications, or cause the pump to run dry in pump down applications. The time option is custom programmed up to 3 minutes. When a fault condition occurs, the FILL LED will have a blink sequence of .5 seconds on 2 seconds off. See Chart A for time delay options.

## Test Feature

### Available on Series 26, 26M, and DF controls

Allows LLCO circuit to be tested. Holding down the reset button for 3 seconds will allow the LLCO circuit to trip which simulates the loss of water, without the need of draining the water level in the boiler. The control will return to normal operation once the reset button is pressed a second time. (Test feature option only available with the manual reset function.)

Chart A – Time Out Option

Optional Character	Time Out (in seconds)					
	30	60	90	120	150	180
K	•					
L		•				
M			•			
N				•		
P					•	
Q						•

Chart B – Optional Character Information

Reset Function	Option Components				Control Series	Optional Character
	Normally Closed Pushbutton*	Power Outage	Retrofit Plate	Test Feature		
•					DF "LLCO"	D
•	•				26, 26M, 26NM	C
•		•			26, 26M, 26NM	E
•			•		16, 16D, 26, DF	R
•	•				DF "LLCO"	S
•		•			DF "LLCO"	K
•			•		DF	W
•				•	26, 26M, 26NM, DF"LLCO"	B
•	•	•			26, 26M, 26NM	F
•		•	•		26	N
•	•	•			DF "LLCO"	G
•	•		•		DF	T
•	•			•	26, 26M, 26NM, DF"LLCO"	Y
•		•	•		DF	L
•		•		•	26, 26M, 26NM, DF"LLCO"	Z
•	•	•	•		26	P
•	•	•	•		DF	J
•	•	•		•	26, 26M, 26NM, DF"LLCO"	A
No options						X

\* N.C. pushbutton when purchased in conjunction with open control must be remotely mounted by customer