

# Series 19MR

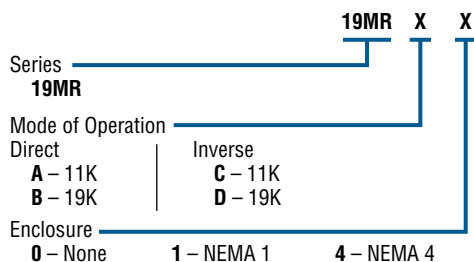
## Direct Motor Load of 30 Amps @ 240 VAC

Series 19MR controls are the ideal choice where pump up or pump down service is necessary. This control eliminates the need for contactors because it can directly handle motors up to 1 HP at 120 VAC, or motors up to 2 HP at 240 VAC.

<b>Enclosures</b>	Optional
<b>Output Contact Rating</b>	30 amp @ 240 VAC
<b>Powered Output Contact</b>	SPST 30 A at supply voltage (120 or 240 VAC)
<b>Horsepower Range</b>	1 hp for 120 VAC; 2 hp for 240 VAC
<b>Terminals</b>	3/16" spade lug on probe connections 1/4" spade lug on power connections
<b>Primary Voltage</b>	120 VAC or 240 VAC (+10%/-15%), 50/60 Hz
<b>Secondary Voltage</b>	11.0 VAC, 1.5 mA
<b>Temperature</b>	-40°F to +150°F (-40°C to +65°C)
<b>Approvals</b>	U.L. 508 File # E44426, Vol. 1 Sec. 6

### How to Order

Use the **Bold** characters from the chart below to construct a product code.

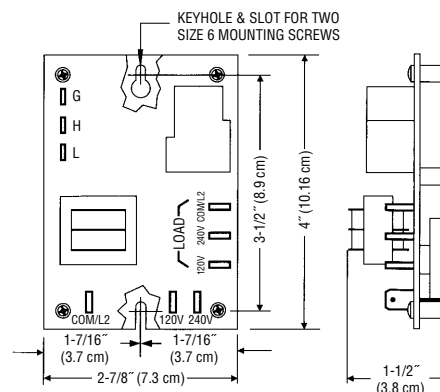


Series 19MR

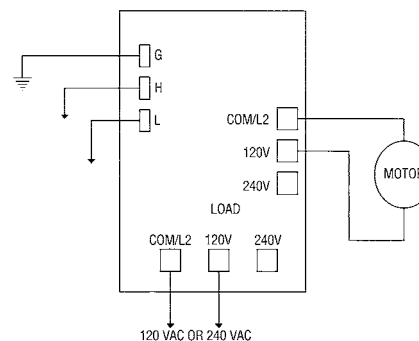
### Applications

- Carbonators
- Appliances
- Sumps
- Low-Water Cutoff
- Direct Motor Load

### Dimensions



### Wiring



**Caution:** 19MR contacts are powered contacts. When power is applied to the 19MR controller, power may be present on relay output connections. Output voltage will be same as input voltage.

WARRICK CONDUCTIVITY SENSORS

## Series DC For Remote Applications

Series DC controls are designed for applications where only direct current power is available. DC units can be used as differential level controls or single point alarm contactors. Because of solid state reliability, plug-in convenience, and choice of 12 or 24 VDC supply voltage, Warrick DC controls can be used with confidence in many applications.

<b>Contact Design</b>	SPDT 1 N.O. & 1 N.C. (1 form C), non-powered contacts
<b>Contact Rating</b>	5 amp @ 30 VDC or 120 VAC Resistive 1/8 hp
<b>Mode of Operation</b>	Direct/Inverse, factory set
<b>Sensitivity</b>	0 - 1M ohm maximum, factory set
<b>Primary Voltage</b>	12 VDC, 24 VDC, negative ground (±20%)
<b>Supply Current</b>	40 mA when relay energized, 10 mA w/relay de-energized
<b>Secondary Voltage</b>	12 VDC
<b>Terminal Style</b>	Screw connector
<b>Temperature</b>	-50°F to +150°F (-46°C to +65°C)
<b>Options</b>	Time Delay



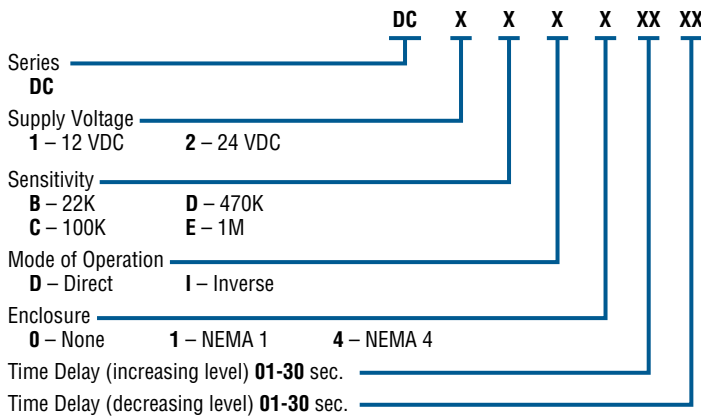
Series DC

### Applications

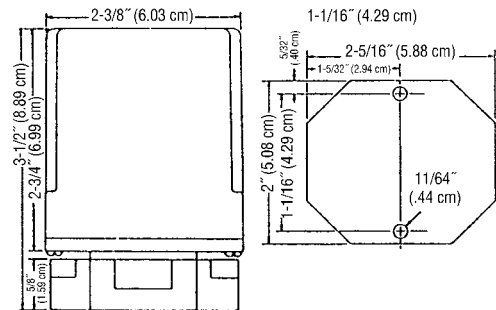
- Single and Differential Service
- Solar and Wind Powered Pumps
- Portable Cleaning Equipment
- Battery-Powered Level Control
- Well Pumps
- Remote Reservoirs
- Remote Irrigation
- Onboard Ship Level Control

### How to Order

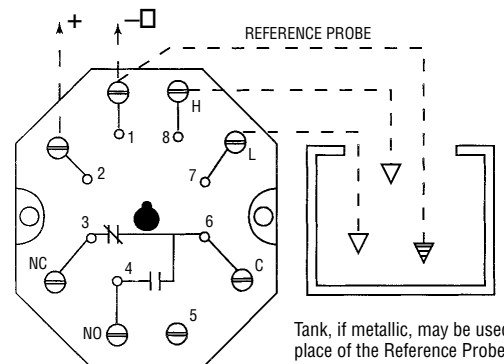
Use the **Bold** characters from the chart below to construct a product code.



### Dimensions



### Wiring



Tank, if metallic, may be used in place of the Reference Probe.