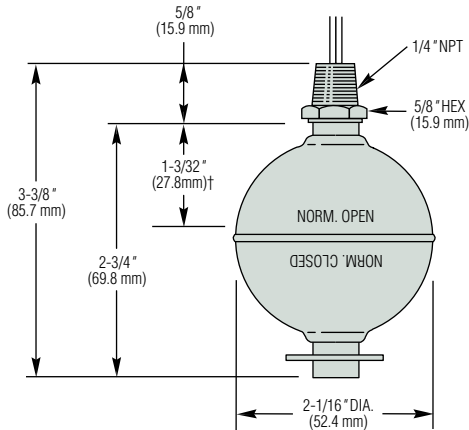


## Large Size – Alloys

### LS-1950 – All Stainless Steel For High Pressure and Temperature

For high performance applications, the LS-1950 provides high temperature and pressure capabilities. Materials of construction comply with FDA food contact regulations.

#### Dimensions



†L<sub>1</sub> = Switch actuation level, nominal (based on a liquid specific gravity of 1.0 and N.O. dry circuit – dimension will vary for N.C. circuit).

#### Common Specifications

**Electrical Termination:** No. 18 AWG, 24" L., Polymeric Lead Wires (except Part No. 79999 which has Teflon® lead wires).

**Approvals:** LS-1950 Series switches are U.L. Recognized – File No. E45168 and are CSA Listed - File No. 30200  
RoHS – In compliance with EU-directive 2011/65/EC requirements for chemicals and substances.  
(Part No. 79999 is U.L. Recognized RoHS Compliant only).

**Switch Operation:** Selectable, N.O. or N.C., by inverting float on unit stem. Units are shipped N.O. unless otherwise specified.

#### How to Order – Select Part Number based on specifications required.

Series Number	Materials		Min. Liquid Sp. Gr.	Operating Temperature	Pressure, PSI, Max.	Switch <sup>1</sup>	Part Number
	Stem and Mounting	Float					
LS-1950	316 Stainless Steel		0.75	-40°F to +300°F (-40°C to +149°C)	750	SPST, 20 VA	<b>01950</b> ⚡
				-40°F to +480°F (-40°C to +249°C)		SPST, 100 VA <sup>2</sup>	<b>26717</b> ⚡
						SPST, 20 VA	<b>79999</b> ⚡

Notes

- See "Electrical Data" on Page X-5 for more information.
- UL Resistive Rated

⚡ – Stock Items.



Exceptionally accurate and rugged for higher temperatures and in pressurized or corrosive liquids. For oils, water and chemicals.



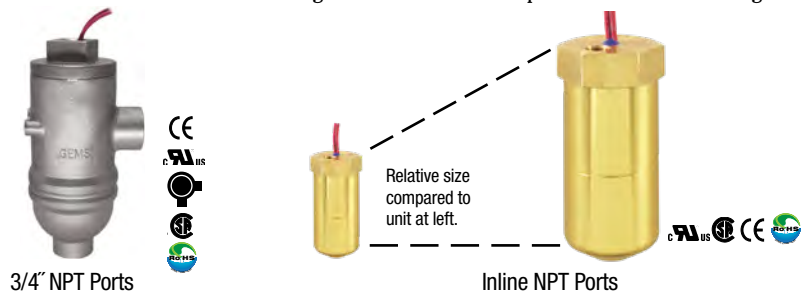
# Large Size – Alloys

## When a Switch Won't Fit In the Tank, Use a Non-Intrusive Bottle Type

Bottle type level switches are ideal for large or small tanks or where access to the inside is impractical or impossible. These units mount completely outside of the tank, at the level actuation point.

LS-800-5 Series – Single Level, Brass or Stainless Steel Housing

LS-159000 Series – Low Cost, Compact Aluminum Housing

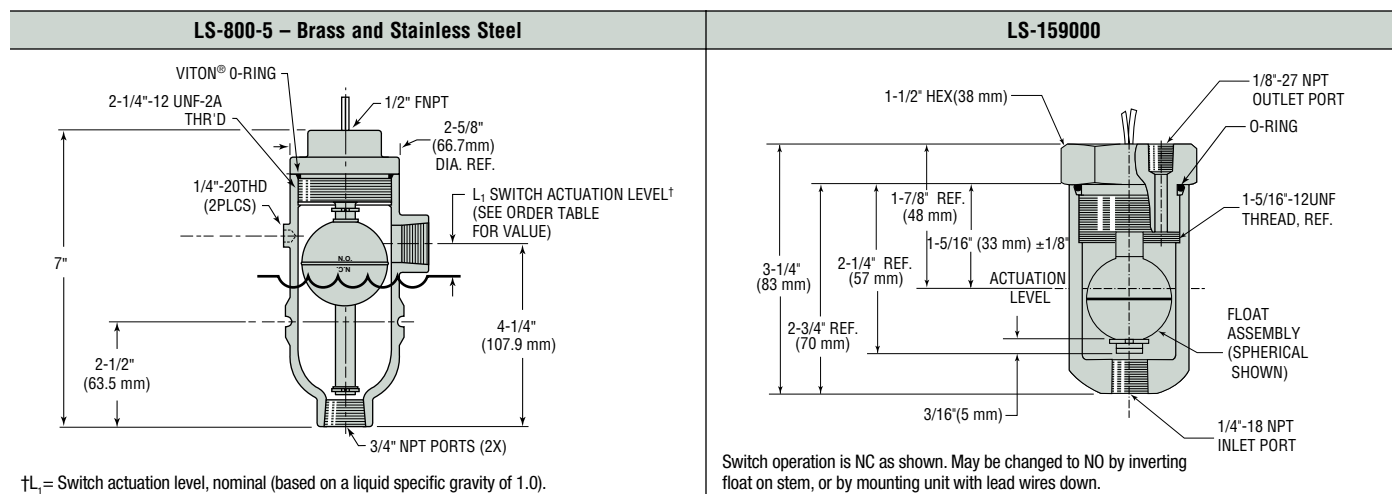


For Remote Alarms – See Page E-27

- Adjustable Volume
- Indoor Outdoor
- Solid-State



### Dimensions



### Common Specifications

**Electrical Termination:** No. 18 AWG, 24" L., Polymeric Lead Wires (LS-800-5) / No. 22 AWG, 24" L., Polymeric Lead Wire (LS-159000).

**Approvals:** Series Nos. LS-800-5 and LS-159000 are U.L. Recognized – File No. E45168 and CSA listed – File No. LR-30200.

RoHS (except for LS-800-5 in Brass, part numbers 172625, 172986, and 172988) – In compliance with EU-directive 2015/863/EU requirements for chemicals and substances.

**Switch Operation:** Selectable, N.O. or N.C., by inverting float on unit stem.

**Mounting Attitude:** Vertical with lead wires up.

**How To Order - Select Part Number based on specifications required.**

Series Number	Materials			Min. Liquid Sp. Gr.	Pressure, PSIG, Max.	Operating Temperature	$L_1$	Switch*	Part Number
	Housing	Stem and Mounting	Float						
LS-800-5	Brass	316 Stainless Steel	Beryllium Copper	.75	500 @ 70°F	-40°F to +300°F (-40°C to +148.9°C)	3/4" (19 mm)	SPST, 20 VA	172625
			SPST, 100 VA					172986	
	316 Stainless Steel	S.S. ARMCO H-15-7 MO	750	SPST, 20 VA	172635				
		DPDT		172987					
LS-159000	Aluminum	Brass	316 S.S.	Beryllium Copper	600 @ 70°F	-40°F to +300°F (-40°C to +148.9°C)	See Dimensions	SPST, 20 VA	144080
		Buna N	Viton®	.50	250 @ 70°F				-40°F to +250°F (oil); +180°F (water) (-40°C to +121°C [oil]; +82°C [water])

\*See "Electrical Data" on Page X-5 for more information. DPDT relay information is with Dimensions above.

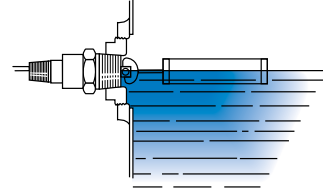
Order from: **C A Briggs Company**; 622 Mary Street; Suite 101 - Warminster, PA 18974  
 Phone: 267-673-8117 - Fax: 267-673-8118; E-Mail: [Sales@cabriggs.com](mailto:Sales@cabriggs.com) - [www.cabriggs.com](http://www.cabriggs.com)

## Large Size – Alloys

### Side Mounting Switches Solve the Problem of Inaccessible Tank Tops & Bottoms

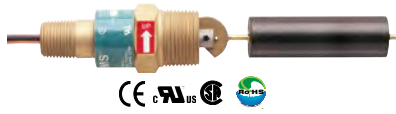
These units solve the problem of point level sensing in tanks with inaccessible tops or bottoms, or at intermediate locations in larger tanks. Operation is positive and dependable. The float pivots with changing liquid level, displacing a shuttle which magnetically actuates a hermetically sealed switch within the unit. Installation is through the tank side at the detection point.

Typical Installation

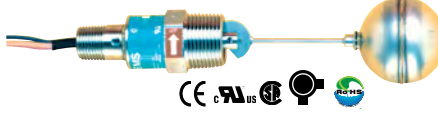


**UL Approved  
Explosion-Proof**

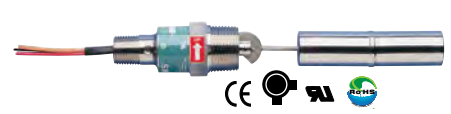
LS-2050 Series – Brass and Buna N



LS-2050 Series – All-Stainless Steel



LS-52100 Series – All Stainless Steel

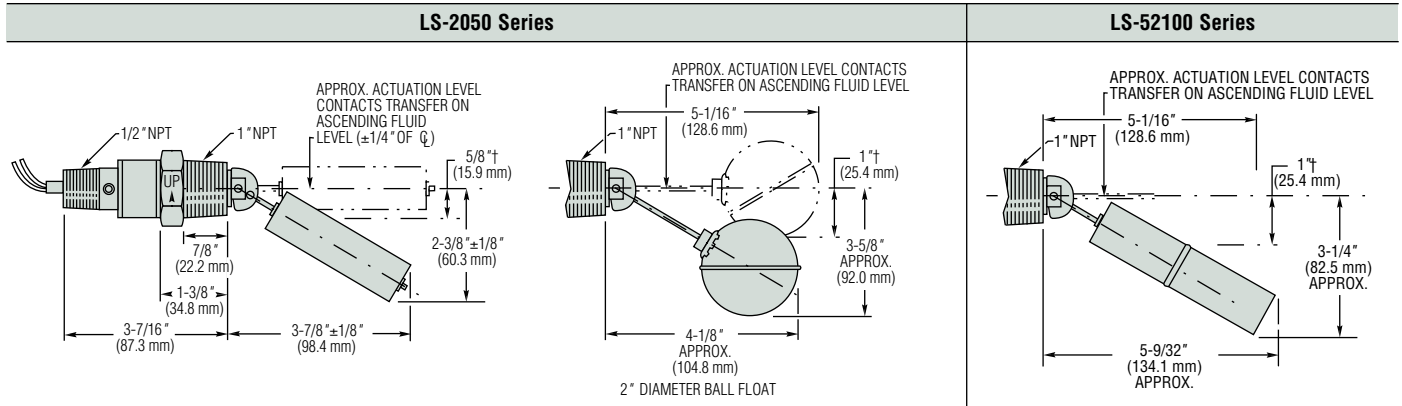


General purpose materials designed to provide reliable service in oils and water.

Ultimate strength: for pressures to 900 PSIG and temperatures to 300°F (148.9°C). Explosion-proof models available.

Rugged, all-stainless steel unit offers broad chemical compatibility at temperatures to 300°F (148.9°C). Explosion-proof models available.

### Dimensions



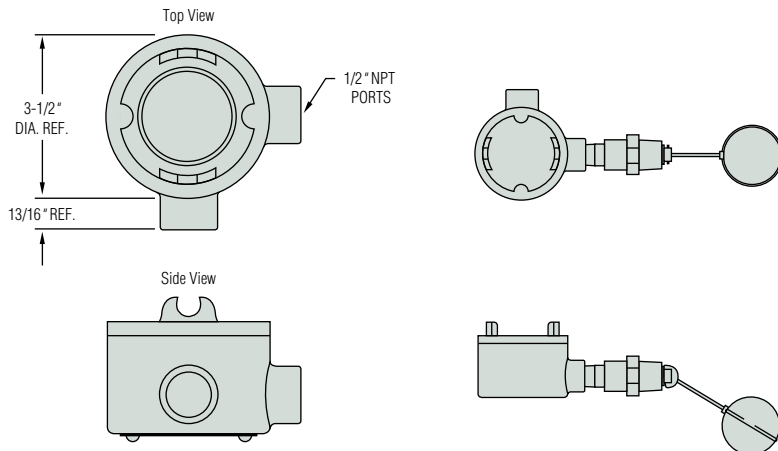
†Approximate de-actuation level, nominal (based on a liquid specific gravity of 1.0).

\* Switch Mounting dimensions are the same as shown on the LS-2050 Series drawing (far left).

### Explosion-Proof Versions

CSA or FM Approved versions are available in all-stainless steel configurations only.

Typical Example (P/N 55690 Shown):



### For Remote Alarms – See Page E-27

- Adjustable Volume
- Indoor Outdoor
- Solid-State



**Common Specifications**

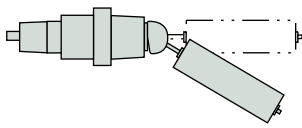
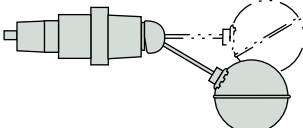
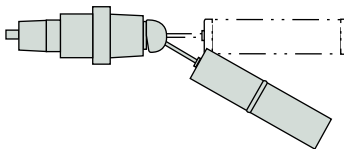
**Electrical Termination:** No.18 AWG, 24" L., Polymeric Lead Wires.

**Approvals:** LS-2050 Series Switches are U.L. Recognized – File No. E45168 and are CSA Listed. Explosion-proof units are approved for Class I, Division 1, Group D hazardous areas.


RoHS – In compliance with EU-directive 2011/65/EC requirements for chemicals and substances.

**Mounting Attitude:** Horizontal, ±15°.

**Performance**

	LS-2050 Series		LS-52100 Series	
	Brass Mounting/Buna-N Float	All-Stainless Steel		
				
Operating Temperature	Water: to +180°F (82.2°C) Oil: -40°F to +250°F (-40°C to +121°C)		-40°F to +300°F (-40°C to +148.9°C)	
Pressure, PSIG Max. @ 70°F	150		900	500
Min. Liquid Sp. Gr.	.8		.9	.85
Switch Differential in Liquid	1/2" Minimum		Approximately 3/4"	

**How To Order – Select Part Number based on specifications required.**

Series Number	Materials			Switch <sup>1</sup>	Part Numbers		
	Stem and Mounting	Float	Other Wetted		Standard Versions	With Bellows (Details Below)	Explosion-Proof 
LS-2050	Brass	Buna N	316 Stainless Steel, Beryllium Copper, Teflon®, Ceramic	SPDT, 20 VA	<b>30288</b> ⚡	—	—
	316 Stainless Steel	316 Stainless Steel	Stainless Steel, Teflon®, Ceramic	SPDT, 20 VA	<b>30290</b> ⚡	<b>175650</b>	<b>55690</b>
				SPST, 100 VA, N.O. <sup>2,4</sup>	<b>48068</b>	—	—
				SPST, 100 VA, N.C. <sup>2,4</sup>	<b>48069</b>	—	—
LS-52100	316 Stainless Steel	304 Stainless Steel	430 Stainless Steel, Teflon®, Ceramic	SPDT, 20 VA	<b>52100</b> ⚡	—	<b>121753</b>
				SPST, 100 VA, N.O. <sup>3</sup>	<b>116971</b>	—	—
				SPST, 100 VA, N.C. <sup>3</sup>	<b>116972</b>	—	—

Notes

- See "Electrical Data" on Page X-5 for more information.
- Not CSA Approved.
- Not U.L. Recognized or CSA Approved.
- UL Resistive Rated

⚡ – Stock Items.

**LEVEL SWITCHES – SINGLE POINT**