



PRESSURE CONTROLLER WITH INDICATOR



Model BR-PCS
Pressure Controller with Indicator

MODEL BR-PCS

PRODUCT OVERVIEW:

The Blue Ribbon Model BR-PCS is an intelligent pressure controller with an array of functions that include 4-20mA, 2-way PNP or NPN and 1-way relay output. The compact stainless steel design with integrated display provide local real time pressure and switch state readings.

FEATURES:

- Rugged stainless steel construction
- IP67 Protection
- LED displays both pressure and switch status
- Compact body rotates 320 degrees
- Over-voltage, over-current and reversed polarity protection
- Pressure displayed in MPa, kPa, PSI, Bar, and mBar
- 4-20mA output with 2-way PNP
- 2-way NPN, 2-way PNP, or 1-way relay options
- 8-24 Vdc and optional 220Vac power supply

SPECIFICATIONS:

- Overpressure: 1.5 x FS
- Pressure Ranges: 0 to 8700 PSI (60MPa) gauge or absolute
- Accuracy: $\pm 0.25\%FS$, $\pm 0.5\%FS$
- Screen Display: OLED with resolution 128x32
- Display Refresh Time: 1s, 0.5s, 0.2s (default), 0.1s
- Transistor Output: 2-way PNP or 2-way NPN
- Switch Current: $\leq 0.4A$
- Analog Output: 4mA–20mA
- Relay Output: One-way (SPDT)
- Switch Voltage: $\leq 250VAC/30VDC$
- Switch Current: $\leq 3A$
- Relay Life: 10,000,000 times/min. load, 100,000 times/max. load
- Media Temperature: $-20\text{ }^{\circ}\text{C}\sim 80\text{ }^{\circ}\text{C}$
- Storage Temperature: $-40\text{ }^{\circ}\text{C}\sim 80\text{ }^{\circ}\text{C}$
- Repeatability: $\leq \pm 0.1\% FS$
- Thermal Drift: $\leq \pm 0.2\% FS/ ^{\circ}\text{C}$
- Response Time: $< 30ms$
- Weight: 280g
- IP67 Protection





STEEL UTILITY GAUGE

MODEL BR100D



Model BR101D

FEATURES:

- Dial Sizes: 1½", 2", 2½", and 4"
- An inexpensive utility gauge for the broad commercial market
- Suitable for air, water, oil, gas or any other media not corrosive to brass
- Available in bottom or center connect ⅛" or ¼" (M) NPT
- Accuracy: 3-2-3%

SPECIFICATIONS:

- Black Steel Case
- Brass Socket and Movement
- Dial Sizes: 1½", 2", 2½", and 4"
- Phosphor Bronze Bourdon Tube
- Dry, Non-Fillable
- Connection Sizes:
⅛" (M) NPT on 1½" and 2"
¼" (M) NPT on 2" and 2½"
- Accuracy: 3-2-3%
- Ambient Temperature: -50 °F to +160 °F
- Dual Scale: PSI & BAR (x100=kPa)
- IP52 Enclosure
- Overpressure: 25% FSO
- Working pressure: 75% FSO

FIELD OPTIONS:

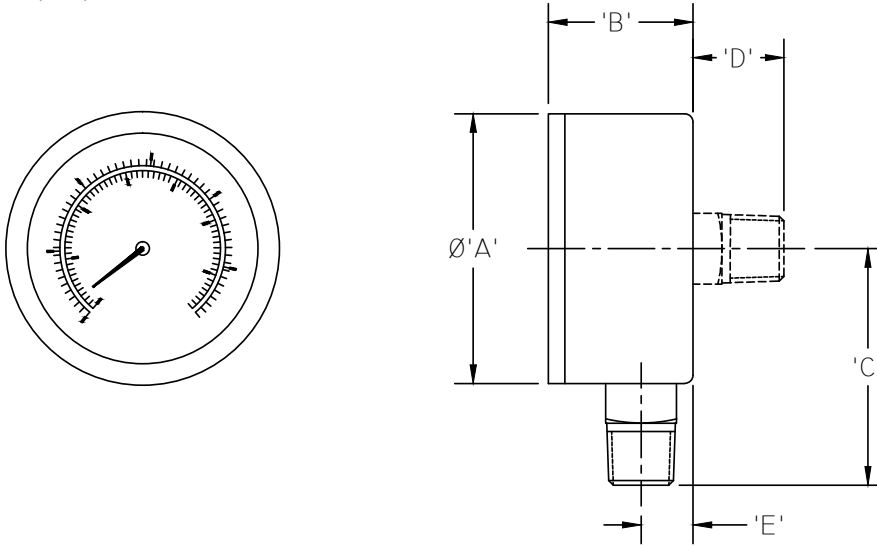
- U-clamp Mount (UC)
- Front Flange Mount (FF)
- Back Flange Mount (BF)
- Plastic Case

| RANGE | RANGE CODES | FIGURES | MINOR, INC. |
|-----------|-------------|-----------------|-------------------|
| 30/0" VAC | A | 5" hg | 0.5" hg |
| 30/0/15 | CB | 10" hg / 5 PSI | 0.5" hg / 0.5 PSI |
| 30/0/30 | CC | 10" hg / 10 PSI | 1" hg / 0.5 PSI |
| 30/0/60 | CD | 10" hg / 10 PSI | 2" hg / 1 PSI |
| 30/0/100 | CE | 30" hg / 20 PSI | 5" hg / 2 PSI |
| 30/0/150 | CF | 30" hg / 20 PSI | 5" hg / 2 PSI |
| 30/0/300 | CH | 30" hg / 50 PSI | 10" & 5 PSI |
| 0/15 | B | 2 PSI | 0.2 PSI |
| 0/30 | C | 5 PSI | 0.5 PSI |
| 0/60 | D | 10 PSI | 1 PSI |
| 0/100 | E | 20 PSI | 2 PSI |
| 0/160 | F | 20 PSI | 2 PSI |
| 0/200 | G | 40 PSI | 5 PSI |
| 0/300 | H | 50 PSI | 5 PSI |
| 0/400 | I | 50 PSI | 5 PSI |
| 0/600 | K | 100 PSI | 10 PSI |
| 0/1000 | M | 200 PSI | 20 PSI |
| 0/1500 | N | 200 PSI | 20 PSI |
| 0/2000 | O | 400 PSI | 50 PSI |
| 0/3000 | P | 500 PSI | 50 PSI |
| 0/5000 | R | 1000 PSI | 100 PSI |
| 0/6000 | S | 1000 PSI | 100 PSI |
| 0/10,000 | U | 2000 PSI | 200 PSI |

STEEL UTILITY GAUGE

DIMENSIONAL DRAWING

All dimensions are in inches (mm)



BRI00D
DRY GAUGE

| DIAL SIZE | 'A' | 'B' | 'C' | 'D' | 'E' |
|--------------|------|-------|-------|-------|-------|
| Ø1.50 BOTTOM | 1.65 | 0.875 | 1.43 | 0.615 | 0.315 |
| Ø1.50 BACK | 1.65 | 1.05 | - | 0.550 | - |
| Ø2.00 (1/8) | 2.05 | 1.125 | 1.615 | 0.635 | 0.37 |
| Ø2.00 (1/4) | 2.05 | 1.125 | 1.815 | 0.700 | 0.37 |
| Ø2.50 | 2.49 | 1.20 | 1.22 | 0.700 | 0.40 |
| Ø4.00 | 3.95 | 1.40 | 2.845 | 0.905 | 0.48 |

ORDERING GUIDE

Example: BR102D158C

| BR102 | D | 15 | 8 | C |
|----------------------|---|------------------|-----------------------|-----------------------|
| Model Number | | Dial Size | Connector Size | Pressure Range |
| 101 - bottom connect | | 1.5" - 15 | 8 - 1/8" NPT | See chart on page 1 |
| 102 - back connect | | 2.0" - 20 | 4 - 1/4" NPT | |
| Fill Type | | 2.5" - 25 | | |
| D - dry, non-filled | | 4" - 40 | | |

Available in Front Flange (FF), Back Flange (BF), and U-Clamp (UC) Mount.

All specifications are for reference purposes only. In the interests of continuous product improvement, all specifications are subject to change without notice. Please contact Blue Ribbon Corporation for assistance with your application.





LIQUID FILLED GAUGE

MODEL BR200



Model BR201L Shown

FEATURES:

- Dial Sizes: 1½", 2", 2½", 4", and 6"
- High quality line of liquid filled gauges, also available dry
- Glycerin fill dampens vibration to help extend the life of the gauge
- Bottom and back connections
- ⅛", ¼", and ½" (M)NPT

SPECIFICATIONS:

- Brass Internals and Connection
- Phosphor Bronze Bourdon Tube
- Dial Sizes: 1½", 2", 2½", 4", and 6"
- Phosphor Bronze Bourdon Tube
- Glycerin fill standard
- Accuracy:
 - 1½" and 2" Dial Sizes: 2%
 - 2½" Dial: 1.6%
 - 4" and 6" Dial Sizes: = 1%
- Connection Sizes:
 - ⅛" (M) NPT on 1½" and 2"
 - ¼" (M) NPT on 2", 2½", and 4"
 - ½" (M) NPT on 4" and 6"
- Dual Scale: PSI & BAR
- Ambient Temperature:
 - Filled: 0 °F to +15 °F
 - Dry: -30 °F to +150 °F
- Enclosure: IP65

FIELD OPTIONS

- Single Scale (PSI)
- Available in Dry
- Front Flange (FF), Back Flange (BF), and U-Clamp (UC) mount
- Alternate fills available

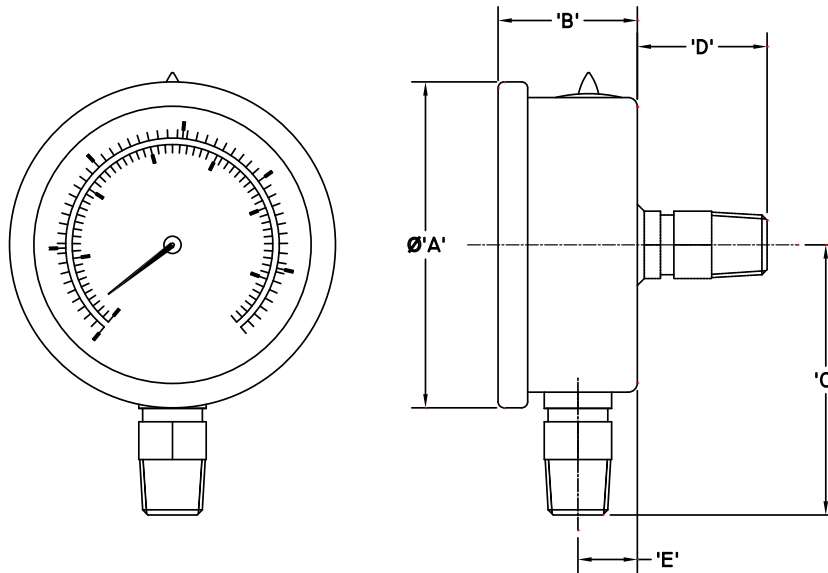
| RANGE | RANGE CODES | MAJOR, INC. | MINOR, INC. |
|-----------|-------------|-------------|-------------|
| 30/0" VAC | A | 5 | 0.5 |
| 30/0/15 | CB | 5 | 0.5 |
| 30/0/30 | CC | 10 | 1 |
| 30/0/60 | CD | 10 | 1 |
| 30/0/100 | CE | 20 | 2 |
| 30/0/150 | CF | 20 | 2 |
| 30/0/300 | CH | 50 | 10 |
| 0/15 | B | 2 | 0.2 |
| 0/30 | C | 5 | 0.5 |
| 0/60 | D | 10 | 1 |
| 0/100 | E | 20 | 2 |
| 0/160 | F | 20 | 2 |
| 0/200 | G | 40 | 4 |
| 0/300 | H | 50 | 5 |
| 0/400 | I | 50 | 5 |
| 0/500 | J | 100 | 10 |
| 0/600 | K | 100 | 10 |
| 0/800 | L | 100 | 10 |
| 0/1000 | M | 200 | 20 |
| 0/1500 | N | 200 | 20 |
| 0/2000 | O | 400 | 50 |
| 0/3000 | P | 500 | 50 |
| 0/4000 | Q | 500 | 50 |
| 0/5000 | R | 1000 | 100 |
| 0/6000 | S | 2000 | 200 |
| 0/10,000 | U | 2000 | 200 |
| 0/15,000 | V | 2000 | 200 |

BR5SL-G-002
REV-A

LIQUID FILLED GAUGE

DIMENSIONAL DRAWING

All dimensions are in inches (mm)



BR200
FILLABLE GAUGE

| DIAL SIZE | 'A' | 'B' | 'C' | 'D' | 'E' |
|-------------|-------|-------|-------|-------|-------|
| Ø1.50 | 1.85 | 1.08 | 1.58 | 0.74 | 0.9 |
| Ø2.00 (1/8) | 2.25 | 1.155 | 2.15 | 0.91 | 0.585 |
| Ø2.00 (1/4) | 2.25 | 1.155 | 2.165 | 0.935 | 0.585 |
| Ø2.50 | 2.675 | 1.16 | 1.00 | 1.22 | 0.458 |
| Ø4.00 (1/4) | 4.29 | 1.4 | 3.2 | 1.256 | 0.703 |
| Ø4.00 (1/2) | 4.29 | 1.4 | 3.24 | 1.293 | 0.703 |
| Ø6.00 | 6.40 | 1.93 | 4.10 | 1.15 | 0.56 |

ORDERING GUIDE

Example: BR201L202F

| BR201 | L | 20 | 2 | F |
|------------------------------|---|------------------|-----------------------|-----------------------|
| Model Number | | Dial Size | Connector Size | Pressure Range |
| 201 - bottom connect | | 1.5" - 15 | 8 - 1/8" NPT | See chart on page 1 |
| 202 - back connect | | 2.0" - 20 | 4 - 1/4" NPT | |
| Fill Type | | 2.5" - 25 | 2 - 1/2" NPT | |
| D - dry, non-filled | | 4" - 40 | | |
| L - Liquid, glycerine filled | | 6" - 60 | | |

Available in Back Flange (BF), Front Flange (FF), and U-Clamp (UC) mount

All specifications are for reference purposes only. In the interests of continuous product improvement, all specifications are subject to change without notice. Please contact Blue Ribbon Corporation for assistance with your application.





LEAD FREE LIQUID FILLED PRESSURE GAUGE



Model BRLF201L



MODEL BRLF200

FEATURES:

The Model BRLF200 Lead Free Liquid Filled Pressure Gauge from Blue Ribbon Corporation is an accurate, bottom connected, liquid-filled pressure gauge. Its lead free construction allows it to be specified within drinking water pump, pipeline and filtration system installations, or anywhere that the mitigation of lead contamination risk is a concern.

SPECIFICATIONS:

- Lead Free Brass Internals and Connection
- Lead Free Phosphor Bronze Bourdon Tube
- Dial Sizes: 1½", 2", 2½", 4", and 6"
- Glycerine fill standard
- Accuracy:
 - 1½" and 2" Dial Sizes: 2%
 - 2½" Dial: 1.6%
 - 4" and 6" Dial Sizes: = 1%
- Connection Sizes:
 - ⅛" (M) NPT on 1½" and 2"
 - ¼" (M) NPT on 2", 2½", and 4"
 - ½" (M) NPT on 4" and 6"
- Dual Scale: PSI & BAR
- Ambient Temperature:
 - Filled: 0 °F to +15 °F
 - Dry: -30 °F to +150 °F
- Enclosure: IP65

FIELD OPTIONS:

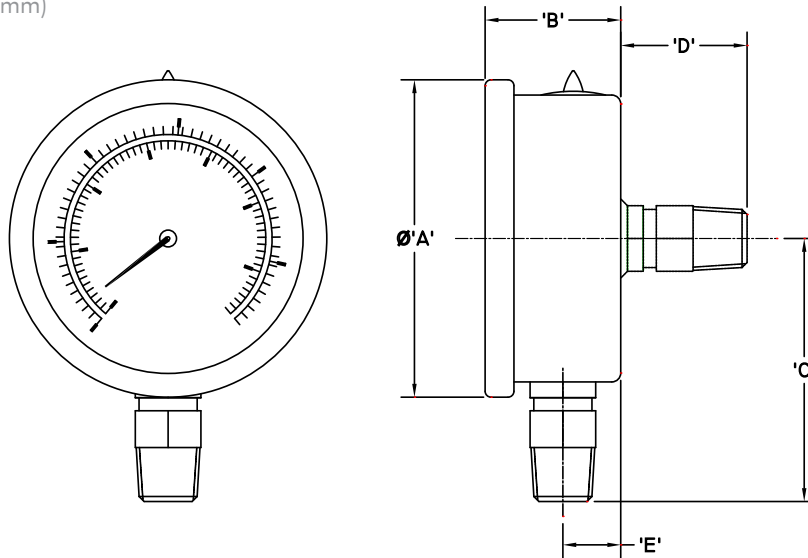
- Single Scale (PSI)
- Available in Dry
- Front Flange (FF), Back Flange (BF), and U-Clamp (UC) mount
- Alternate fills available

| RANGE | RANGE CODES | MAJOR, INC. | MINOR, INC. |
|-----------|-------------|-------------|-------------|
| 30/0" VAC | A | 5 | 0.5 |
| 30/0/15 | CB | 5 | 0.5 |
| 30/0/30 | CC | 10 | 1 |
| 30/0/60 | CD | 10 | 1 |
| 30/0/100 | CE | 20 | 2 |
| 30/0/150 | CF | 20 | 2 |
| 30/0/300 | CH | 50 | 10 |
| 0/15 | B | 2 | 0.2 |
| 0/30 | C | 5 | 0.5 |
| 0/60 | D | 10 | 1 |
| 0/100 | E | 20 | 2 |
| 0/160 | F | 20 | 2 |
| 0/200 | G | 40 | 4 |
| 0/300 | H | 50 | 5 |
| 0/400 | I | 50 | 5 |
| 0/500 | J | 100 | 10 |
| 0/600 | K | 100 | 10 |
| 0/800 | L | 100 | 10 |
| 0/1000 | M | 200 | 20 |
| 0/1500 | N | 200 | 20 |
| 0/2000 | O | 400 | 50 |
| 0/3000 | P | 500 | 50 |
| 0/4000 | Q | 500 | 50 |
| 0/5000 | R | 1000 | 100 |
| 0/6000 | S | 2000 | 200 |
| 0/10,000 | U | 2000 | 200 |
| 0/15,000 | V | 2000 | 200 |

LEAD FREE LIQUID FILLED PRESSURE GAUGE

DIMENSIONAL DRAWING

All dimensions are in inches (mm)



BR200
FILLABLE GAUGE

| DIAL SIZE | 'A' | 'B' | 'C' | 'D' | 'E' |
|-------------|-------|-------|-------|-------|-------|
| Ø1.50 | 1.85 | 1.08 | 1.58 | 0.74 | 0.9 |
| Ø2.00 (1/8) | 2.25 | 1.155 | 2.15 | 0.91 | 0.585 |
| Ø2.00 (1/4) | 2.25 | 1.155 | 2.165 | 0.935 | 0.585 |
| Ø2.50 | 2.675 | 1.16 | 1.00 | 1.22 | 0.458 |
| Ø4.00 (1/4) | 4.29 | 1.4 | 3.2 | 1.256 | 0.703 |
| Ø4.00 (1/2) | 4.29 | 1.4 | 3.24 | 1.293 | 0.703 |
| Ø6.00 | 6.40 | 1.93 | 4.10 | 1.15 | 0.56 |

ORDERING GUIDE

Example: BRLF201L202F

| BRLF201 | L | 20 | 2 | F |
|------------------------------|---|------------------|-----------------------|-----------------------|
| Model Number | | Dial Size | Connector Size | Pressure Range |
| 201 - bottom connect | | 1.5" - 15 | 8 - 1/8" NPT | See chart on page 1 |
| 202 - back connect | | 2.0" - 20 | 4 - 1/4" NPT | |
| Fill Type | | 2.5" - 25 | 2 - 1/2" NPT | |
| D - dry, non-filled | | 4" - 40 | | |
| L - Liquid, glycerine filled | | 6" - 60 | | |

Available in Back Flange (BF), Front Flange (FF), and U-Clamp (UC) mount

All specifications are for reference purposes only. In the interests of continuous product improvement, all specifications are subject to change without notice. Please contact Blue Ribbon Corporation for assistance with your application.





STAINLESS STEEL LIQUID FILLED GAUGES



Model BR251L

MODEL BR250L

FEATURES:

The Model BR250L from Blue Ribbon Corporation is a high quality line of liquid filled gauges. Its crimped, welded stainless steel bezel and glycerine fill is designed for gas or liquid applications that require damping.

SPECIFICATIONS:

- Stainless steel welded connection
- Stainless steel crimped bezel
- Glycerine Fill Standard (Dry Available)
- Accuracy:
1½" and 2" dial Sizes: 2%
2½" Dial: 1.6%
4" and 6" Dial Sizes: 1%
- Dual Scale: PSI & BAR (x100=kPa)
- Single Scale (PSI) Available
- Ambient Temperature:
Filled: 0 °F to +15 °F
Dry: -30 °F to +150 °F
- Enclosure: IP65

FIELD OPTIONS:

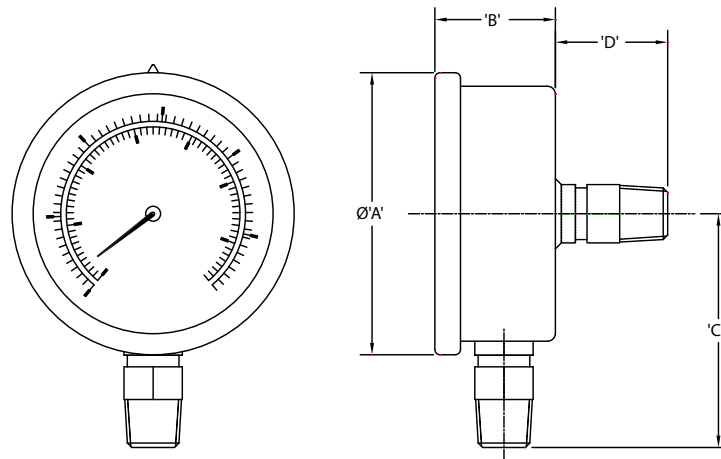
- Dial Sizes:
1½", 2", 2½", 4", 6"
- Connection Sizes:
1/8" (M) NPT on 1½" and 2"
1/4" (M) NPT on 2", 2½", and 4"
1/2" (M) NPT on 4" and 6"
- Front Flange (FF) or Back Flange (BF) Mount
- U-Clamp Mount (UC)

| RANGE | CODE | MAJOR INC. | MINOR INC. |
|-----------|------|------------|------------|
| 30/0" VAC | A | 5 | 0.5 |
| 30/0/15 | CB | 5 | 0.5 |
| 30/0/30 | CC | 10 | 1 |
| 30/0/60 | CD | 10 | 1 |
| 30/0/100 | CE | 20 | 2 |
| 30/0/150 | CF | 20 | 2 |
| 30/0/300 | CH | 50 | 10 |
| 0/15 | B | 2 | 0.2 |
| 0/30 | C | 5 | 0.5 |
| 0/60 | D | 10 | 1 |
| 0/100 | E | 20 | 2 |
| 0/160 | F | 20 | 2 |
| 0/200 | G | 40 | 4 |
| 0/300 | H | 50 | 5 |
| 0/400 | I | 50 | 5 |
| 0/500 | J | 100 | 10 |
| 0/600 | K | 100 | 10 |
| 0/800 | L | 100 | 10 |
| 0/1000 | M | 200 | 20 |
| 0/1500 | N | 200 | 20 |
| 0/2000 | O | 400 | 50 |
| 0/3000 | P | 500 | 50 |
| 0/4000 | Q | 500 | 50 |
| 0/5000 | R | 1000 | 100 |
| 0/6000 | S | 2000 | 200 |
| 0/10,000 | U | 2000 | 200 |
| 0/15,000 | V | 2000 | 200 |

STAINLESS STEEL LIQUID FILLED GAUGES

DIMENSIONAL DRAWING

All dimensions are in inches (mm)



BR250L
SS LIQUID FILLED GAUGE

| DIAL SIZE | 'A' | 'B' | 'C' | 'D' |
|-------------|-------|-------|-------|-------|
| Ø1.50 | 1.85 | 1.08 | 1.58 | 0.74 |
| Ø2.00 (1/8) | 2.25 | 1.155 | 2.15 | 0.91 |
| Ø2.00 (1/4) | 2.25 | 1.155 | 2.165 | 0.935 |
| Ø2.50 | 2.675 | 1.16 | 1.00 | 1.22 |
| Ø4.00 (1/4) | 4.29 | 1.4 | 3.2 | 1.256 |
| Ø4.00 (1/2) | 4.29 | 1.4 | 3.24 | 1.293 |

ORDERING GUIDE

Example: BR251L158C

| BR251 | L | 20 | 2 | F |
|------------------------------|---|-----------|----------------|---------------------|
| Model Number | | Dial Size | Connector Size | Pressure Range |
| 251 - bottom connect | | 1.5" - 15 | 8 - 1/8" NPT | See chart on page 1 |
| 252 - back connect | | 2.0" - 20 | 4 - 1/4" NPT | |
| Fill Type | | 2.5" - 25 | 2 - 1/2" NPT | |
| D - dry, non-filled | | 4" - 40 | | |
| L - Liquid, glycerine filled | | 6" - 60 | | |

*Available in Front Flange (FF), Back Flange (BF), and U-Clamp (UC) Mount

All specifications are for reference purposes only. In the interests of continuous product improvement, all specifications are subject to change without notice. Please contact Blue Ribbon Corporation for assistance with your application.





ALL STAINLESS STEEL GAUGE



Model BR301L

SPECIFICATIONS:

- 316 Stainless Steel Case with bayonet bezel design
- 316 Stainless Steel Internals
- Stainless Steel Bourdon Tube & Connection
- IP65 Enclosure
- Glycerin fill standard, Dry available
- Accuracy: 2½" Dial - 1.6%;
4" and 6" Dials - 1%
- Dual Scale: PSI & BAR (x100=kPa)
- Ambient Temperature: Filled: +30 °F to +160 °F; Dry: -30 °F to +180 °F
- Safety Glass Lens
- Welded Socket
- Overpressure Limit: 30% FSO
- Working Pressure: 75% FSO

FIELD OPTIONS:

- 2½", 4", and 6" dial sizes
- ¼"(M) NPT on 2½" and 4"
- ½"(M) NPT on 4" and 6"
- Front Flange (FF) or Back Flange (BF) Mount
- U-Clamp Mount (UC)

MODEL BR300

FEATURES:

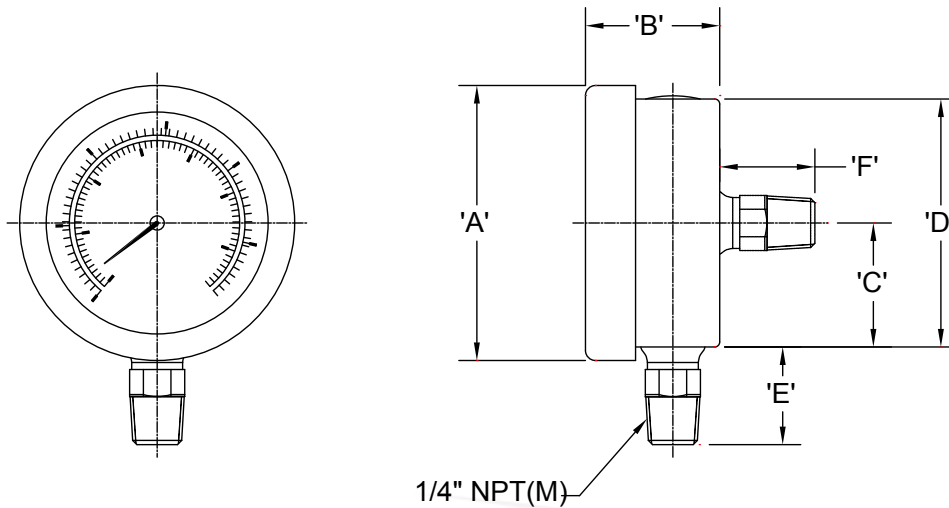
The Model BR300 series from Blue Ribbon Corporation is a high-quality dry or liquid-filled, all stainless steel back or bottom mount gauge for applications where brass may not be an option.

| RANGE | RANGE CODES | MAJOR | MINOR |
|-----------|-------------|-------|-------|
| 30/0" VAC | A | 5 | 0.5 |
| 30/0/15 | CB | 5 | 0.5 |
| 30/0/30 | CC | 10 | 1 |
| 30/0/60 | CD | 10 | 1 |
| 30/0/100 | CE | 20 | 2 |
| 30/0/150 | CF | 20 | 2 |
| 30/0/300 | CH | 50 | 10 |
| 0/15 | B | 2 | 0.2 |
| 0/30 | C | 5 | 0.5 |
| 0/60 | D | 10 | 1 |
| 0/100 | E | 20 | 2 |
| 0/160 | F | 20 | 2 |
| 0/200 | G | 40 | 4 |
| 0/300 | H | 50 | 5 |
| 0/400 | I | 50 | 5 |
| 0/500 | J | 100 | 10 |
| 0/600 | K | 100 | 10 |
| 0/800 | L | 100 | 10 |
| 0/1000 | M | 200 | 20 |
| 0/1500 | N | 200 | 20 |
| 0/2000 | O | 400 | 50 |
| 0/3000 | P | 500 | 50 |
| 0/4000 | Q | 500 | 50 |
| 0/5000 | R | 1000 | 100 |
| 0/6000 | S | 2000 | 200 |
| 0/10,000 | U | 2000 | 200 |
| 0/15,000 | V | 2000 | 200 |

ALL STAINLESS STEEL GAUGES

DIMENSIONAL DRAWING

All dimensions are in inches (mm)



| DIAL SIZE | 'A' | 'B' | 'C' | 'D' | 'E' | 'F' |
|-------------|-------|------|-------|-------|-------|-------|
| Ø2.50 (1/4) | 2.745 | 1.96 | 1.238 | 2.475 | 0.975 | 0.975 |
| Ø2.50 (1/2) | 2.745 | 1.96 | 1.238 | 2.475 | 1.37 | 1.37 |
| Ø4.00 (1/2) | 4.35 | 1.96 | 1.963 | 3.925 | 1.37 | 1.37 |
| Ø6.00 (1/2) | 6.35 | 1.96 | 2.925 | 5.85 | 1.37 | 1.37 |

ORDERING GUIDE

Example: BR301L254F

| BR301 | L | 25 | 2 | F |
|-----------------------------|---|------------------|-----------------------|-----------------------|
| Model Number | | Dial Size | Connector Size | Pressure Range |
| 301 - bottom connect | | 2.5" - 25 | 4 - 1/4" NPT | See chart on page 1 |
| 302* - back connect | | 4" - 40 | 2 - 1/2" NPT | |
| Fill Type | | 6" - 60 | | |
| D - dry, non-filled | | | | |
| L - Liquid, glycerin filled | | | | |

*Available in Front Flange (FF), Back Flange (BF), and U-Clamp (UC) Mount

All specifications are for reference purposes only. In the interests of continuous product improvement, all specifications are subject to change without notice. Please contact Blue Ribbon Corporation for assistance with your application.





PROCESS PRESSURE GAUGE



Model BR411/412

MODEL BR400/BR800

FEATURES:

Model BR400/BR800 Series from Blue Ribbon Corporation are a family of highly rugged stainless steel and brass process pressure gauges. They are designed to provide reliable process pressure measurements within safety critical environments such as oil and gas, chemical processing, power stations, environmental engineering and plant construction environments.

SPECIFICATIONS:

- Dial Size: 4½"
- Accuracy: 0.5% FS (ANSI Grade 2A)
- Phenolic-Solid Front/Blow-Out Back Case
- Lens: Shatterproof Safety Glass
- Movement: 304 Stainless Steel with Over/Under Stops
- Knife Edge Micro-Adjustable Pointer
- IP65 Enclosure
- Working Pressure: 75% FSO
- Over Pressure: 20% Up to 10K PSI; 10% over 10K PSI
- Ambient/Process Temperature
Filled: -40 °F to +160 °F
Dry: -40 °F to +180 °F

OPTIONS:

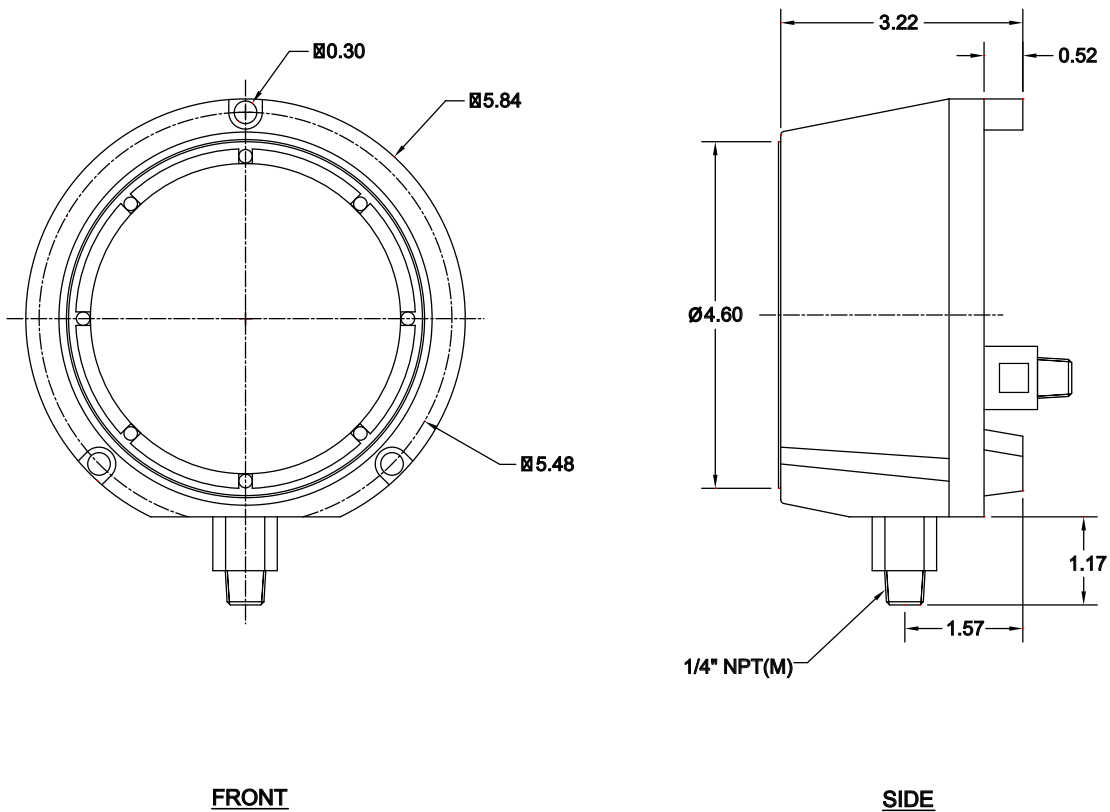
- AISI 316 Stainless Steel Bourdon tube & socket (BR400)
- Brass tube and socket (BR800)
- Liquid Fillable/No Kit Required; Monel tube & socket available
- Connection Sizes: ¼" or ½" NPT Male
- Bottom mount or back mount (see ordering guide)

| RANGE | RANGE CODES | FIGURES | MINOR, INC. |
|--------------|-------------|--------------|--------------|
| 30/0 Hg Vac | A | 5" | 0.2" |
| 30/0/15 | CB | 10" & 5 PSI | 1" & 0.5 PSI |
| 30/0/30 | CC | 10" & 5 PSI | 1" & 0.5 PSI |
| 30/0/60 | CD | 10" & 10 PSI | 2" & 1 PSI |
| 30/0/100 | CE | 10" & 20 PSI | 2" & 1 PSI |
| 30/0/150 | CF | 10" & 30 PSI | 5" & 2 PSI |
| 30/0/200 | CG | 10" & 50 PSI | 5" & 2 PSI |
| 30/0/300 | CH | 10" & 50 PSI | 10" & 5 PSI |
| 0/15 PSI | B | 3 PSI | 0.2 PSI |
| 0/30 PSI | B2 | 5 PSI | 0.2 PSI |
| 0/60 PSI | C | 5 PSI | 0.5 PSI |
| 0/100 PSI | D | 10 PSI | 1 PSI |
| 0/160 PSI | E | 20 PSI | 1 PSI |
| 0/200 PSI | F | 20 PSI | 2 PSI |
| 0/300 PSI | G | 50 PSI | 2 PSI |
| 0/400 PSI | H | 50 PSI | 2 PSI |
| 0/600 PSI | I | 50 PSI | 5 PSI |
| 0/800 PSI | J | 100 PSI | 5 PSI |
| 0/1000 PSI | K | 100 PSI | 10 PSI |
| 0/1500 PSI | L | 250 PSI | 10 PSI |
| 0/2000 PSI | M | 200 PSI | 20 PSI |
| 0/3000 PSI | N | 500 PSI | 20 PSI |
| 0/5,000 PSI | O | 1,000 PSI | 50 PSI |
| 0/10,000 PSI | P | 1,000 PSI | 100 PSI |
| 0/15,000 PSI | Q | 2,500 PSI | 100 PSI |
| 0/20,000 PSI | R | 2,000 PSI | 200 PSI |

PROCESS PRESSURE GAUGE

DIMENSIONAL DRAWING

All dimensions are in inches (mm)



FRONT

SIDE

ORDERING GUIDE

Example: BR411D454M

| BR4 | 11 | D | 45 | 4 | M |
|-----------------------|----------------|---------------------|-----------|----------------|---------------------|
| Model # | Mount Type | Fill Type | Dial Size | Connector Size | Pressure Range |
| BR4 - SS Internals | 11 - bottom mt | D - dry, non-filled | 4.5" | 2 - 1/2" NPT | See chart on page 1 |
| BR8 - Brass Internals | 12 - back mt | L - Glycerin filled | | 4 - 1/4" NPT | |

All specifications are for reference purposes only. In the interests of continuous product improvement, all specifications are subject to change without notice. Please contact Blue Ribbon Corporation for assistance with your application.





LOW PRESSURE DIAPHRAGM GAUGE



Model BR500D

MODEL BR500D

FEATURES:

The Model BR500D Series from Blue Ribbon Corporation is a family of dry, non-fillable, diaphragm-based pressure gauges, designed to provide reliable economical measurements of pressures below 10 PSI. Available in brass and stainless steel construction to meet most application and media requirements.

SPECIFICATIONS:

- Accuracy:
 - 2½" Dial: 2.5%
 - 4" and 4½" Dials: 1%
- Dry, Non-fillable
- Working Pressure: 75% FSO
- Overpressure: 30% FSO
- Ambient/Process Temperature: -30 °F to 150 °F
- Enclosure: IP52
- Twist Lock Plastic Lens
- Black Steel Case
- Brass Internals and Connection
- Capsule-Type Diaphragm for Low-Pressure Measurements

| RANGE | RANGE CODES | FIGURES | MINOR, INC. |
|---------------|-------------|---------|-------------|
| 100-0" WC Vac | AZ | 10" WC | 1" |
| 55-0" WC Vac | A4 | 10" WC | 1" |
| 32-0" WC Vac | A | 4" WC | 0.5" |
| 0-15" WC | W | 3" WC | 0.2" |
| 0-32" WC | X | 10" WC | 0.5" |
| 0-55" WC | Y | 10" WC | 1" |
| 0-100" WC | Z | 10" WC | 2" |
| 0-3 PSI | A1 | 1 PSI | 0.05 PSI |
| 0-5 PSI | A2 | 1 PSI | 0.10 PSI |
| 0-10 PSI | A3 | 2 PSI | 0-2 PSI |

FIELD OPTIONS:

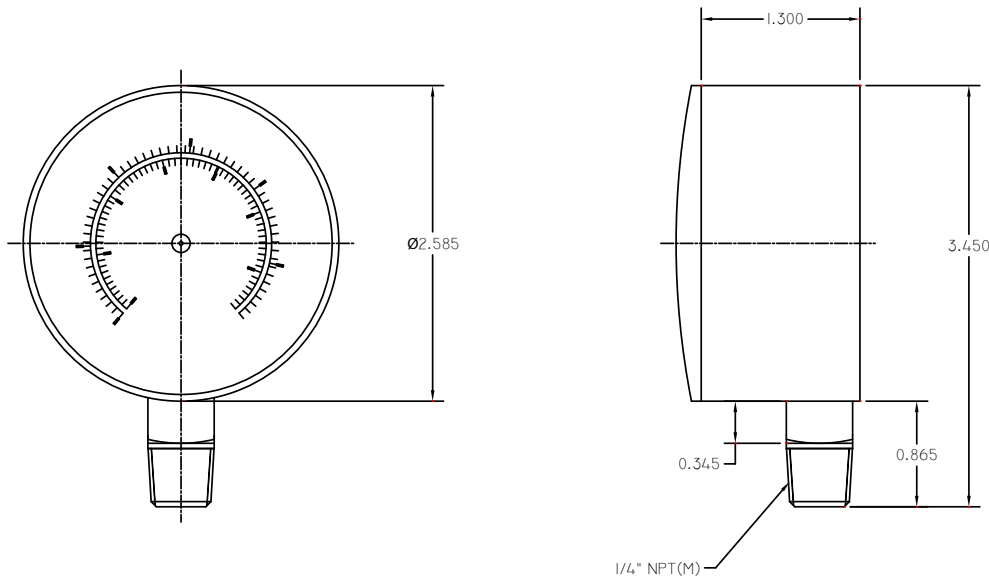
- Dial Sizes: 2½", 4" and 4½"
- Connection Sizes: ¼" NPT, ½" NPT on 4½" dial
- 304 Stainless Steel Case (4", 4½" Dial)
- Phenolic Case (4½" Dial)
- Front Flange (FF), Back Flange (BF), and U-Clamp (UC) mount



LOW PRESSURE DIAPHRAGM GAUGE

DIMENSIONAL DRAWING

All dimensions are in inches (mm)



BR50ID-254Y
63MMX1/4"NPT BOTTOM
0-55" W/C/OZ

ORDERING GUIDE

Example: BR501D454M

| BR501 | D | 45 | 4 | M |
|---------------------|---|-----------|----------------|---------------------|
| Model Number | | Dial Size | Connector Size | Pressure Range |
| 501 - bottom mount | | 2.5" | 4 - 1/4" NPT | See chart on page 1 |
| 502 - back mount | | 4" | | |
| Fill Type | | 4.5" | 4.5 - 1/2" NPT | |
| D - dry, non-filled | | | | |

Available in Back Flange (BF), Front Flange (FF), and U-Clamp (UC) mount

All specifications are for reference purposes only. In the interests of continuous product improvement, all specifications are subject to change without notice. Please contact Blue Ribbon Corporation for assistance with your application.





CONTRACTOR GAUGE SERIES

MODEL BR601D

FEATURES:

The Model BR601D from Blue Ribbon Corporation is a family of durable contractor's pressure gauges, designed to meet the needs of contractors involved in HVAC, plumbing, and industrial and commercial refrigeration applications. Quality and affordability makes this series the most attractive gauge for any project where bronze internals are suitable for use.



Model BR601D
Contractor Gauge Series

SPECIFICATIONS:

- Available dial size: 4.5"
- Stainless steel case
- Bronze Bourdon Tube
- Brass socket and movement
- Lead Free Brass
- Glass lens
- Full scale, ASME B40.100 Grade 1A
- Zero adjust screw on dial

APPLICATIONS:

- HVAC
- Plumbing
- Refrigeration
- Steam heated processes*

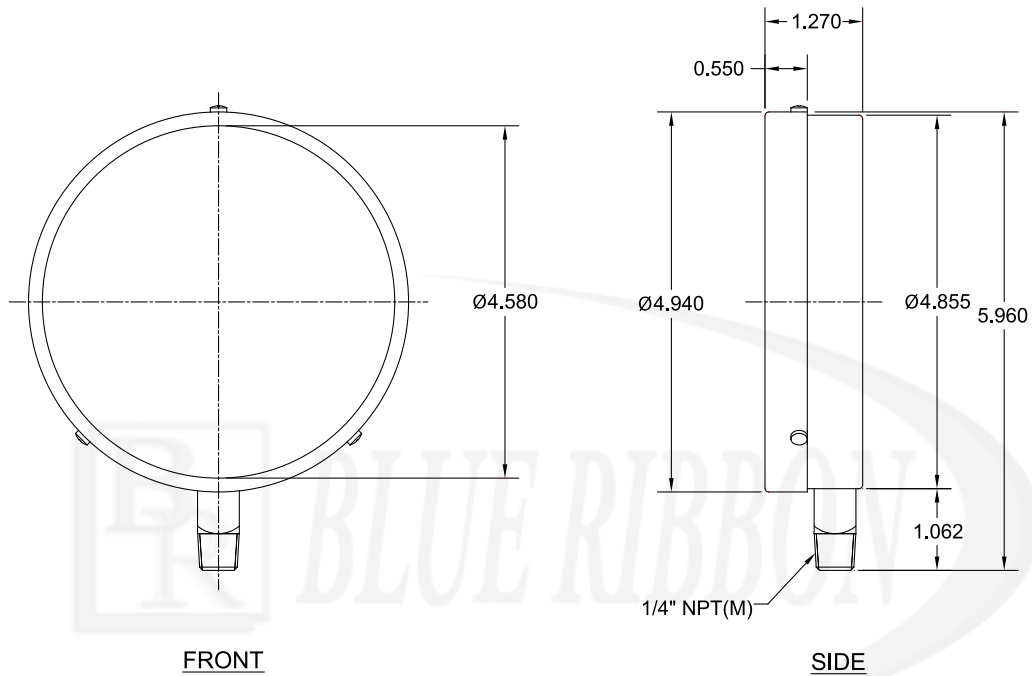
*Note: a pigtail siphon should always be used when putting pressure gauge into steam service

| RANGE | RANGE CODES | MAJOR | MINOR |
|------------|-------------|---------|----------|
| 30" HG VAC | A | 5" HG | 2" HG |
| 30/0/30 | CC | 5 PSI | 1 PSI |
| 30/0/100 | CE | 10 PSI | 1 PSI |
| 30/0/160 | CF | 25 PSI | 2.5 PSI |
| 0/15 | B | 2.5 PSI | 0.25 PSI |
| 0/30 | C | 5 PSI | 1 PSI |
| 0/60 | D | 10 PSI | 1 PSI |
| 0/100 | E | 10 PSI | 1 PSI |
| 0/160 | F | 20 PSI | 2 PSI |
| 0/200 | G | 20 PSI | 2 PSI |
| 0/300 | H | 50 PSI | 5 PSI |
| 0/400 | I | 50 PSI | 5 PSI |
| 0/500 | J | 50 PSI | 5 PSI |
| 0/600 | K | 50 PSI | 5 PSI |

CONTRACTOR GAUGE SERIES

DIMENSIONAL DRAWING

All dimensions are in inches (mm)



BR601D-454E
CONTRACTOR GAUGE, 4.5" 1/4" NPT, LM
0/100 PSI

ORDERING GUIDE

Example: BR601D454F

| BR601 | D | 45 | 4 | F |
|----------------------|---|------------------|-----------------------|-----------------------|
| Model Number | | Dial Size | Connector Size | Pressure Range |
| 601 - bottom connect | | 4.5" - 45 | 4 - 1/4" NPT | See chart on page 1 |
| Fill Type | | | | |
| D - dry, non-filled | | | | |

All specifications are for reference purposes only. In the interests of continuous product improvement, all specifications are subject to change without notice. Please contact Blue Ribbon Corporation for assistance with your application.





ALUMINUM CASE CONTRACTOR GAUGE SERIES

MODEL BR651D

FEATURES:

Model BR651D from Blue Ribbon Corporation is a rugged, lightweight Contractor's pressure gauge, designed to meet the needs of contractors involved in HVAC, plumbing, and industrial and commercial refrigeration applications. The aluminum case provides lightweight durability with the reliability that comes with the Blue Ribbon contractor series.



Model BR651D
Aluminum Case Contractor Gauge Series

SPECIFICATIONS:

- Available dial size: 4.5"
- Aluminum Case
(For rust and corrosion resistance)
- Lead Free Brass
- Plastic Lens
(Resists breakage and won't shatter)
- Accuracy: $\pm 1\%$
- Adjustable pointer on dial
(For additional fine tuning)
- Large, easy to read numbers
(On single scale PSI only dial)

APPLICATIONS:

- HVAC
- Plumbing
- Refrigeration
- Steam heated processes*

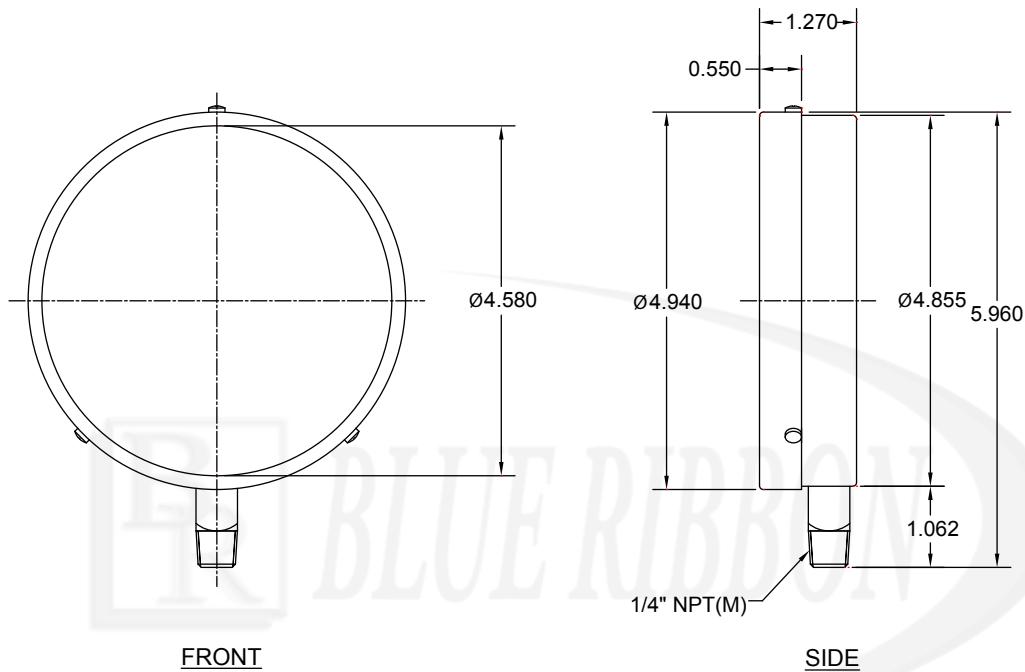
*Note: a pigtail siphon should always be used when putting pressure gauge into steam service.

| RANGE | RANGE CODES | MAJOR | MINOR |
|------------|-------------|---------|----------|
| 30" HG VAC | A | 5" HG | 2" HG |
| 30/0/30 | CC | 5 PSI | 1 PSI |
| 30/0/100 | CE | 10 PSI | 1 PSI |
| 30/0/160 | CF | 25 PSI | 2.5 PSI |
| 0/15 | B | 2.5 PSI | 0.25 PSI |
| 0/30 | C | 5 PSI | 1 PSI |
| 0/60 | D | 10 PSI | 1 PSI |
| 0/100 | E | 10 PSI | 1 PSI |
| 0/160 | F | 20 PSI | 2 PSI |
| 0/200 | G | 20 PSI | 2 PSI |
| 0/300 | H | 50 PSI | 5 PSI |
| 0/400 | I | 50 PSI | 5 PSI |
| 0/500 | J | 50 PSI | 5 PSI |
| 0/600 | K | 50 PSI | 5 PSI |

ALUMINUM CASE CONTRACTOR GAUGE SERIES

DIMENSIONAL DRAWING

All dimensions are in inches (mm)



BR651D-454E
CONTRACTOR GAUGE, 4.5" 1/4" NPT, LM
0/100 PSI

ORDERING GUIDE

Example: BR651D454F

| BR651 | D | 45 | 4 | F |
|----------------------|---|------------------|-----------------------|-----------------------|
| Model Number | | Dial Size | Connector Size | Pressure Range |
| 651 - bottom connect | | 4.5" - 45 | 4 - 1/4" NPT | See chart on page 1 |
| Fill Type | | | | |
| D - dry, non-filled | | | | |

All specifications are for reference purposes only. In the interests of continuous product improvement, all specifications are subject to change without notice. Please contact Blue Ribbon Corporation for assistance with your application.





DUAL PRESSURE & TEMPERATURE AMMONIA GAUGE

MODEL BR700



Model BR701

FEATURES:

The Model BR700 Series from Blue Ribbon Corporation is a Dual Pressure and Temperature gauge, designed specifically for ammonia-based closed refrigeration systems.

SPECIFICATIONS:

- Dial Sizes: 2.5" and 4"
- 304 Stainless Steel Case and Ring
- Polycarbonate Lens
- 316 Stainless Steel Tube and Socket
- Bottom and Back 1/4" NPT Connection
- Movement: 304 Stainless Steel
- Pointer: Aluminum
- Ambient Process Temperature:
 - Dry: -40 °F to +150 °F
 - Liquid Filled: -4 °F to +150 °F
- Accuracy:
 - 2.5" Dial: 1.6% FS
 - 4" Dial: 1% FS
- Enclosure Rating: IP65

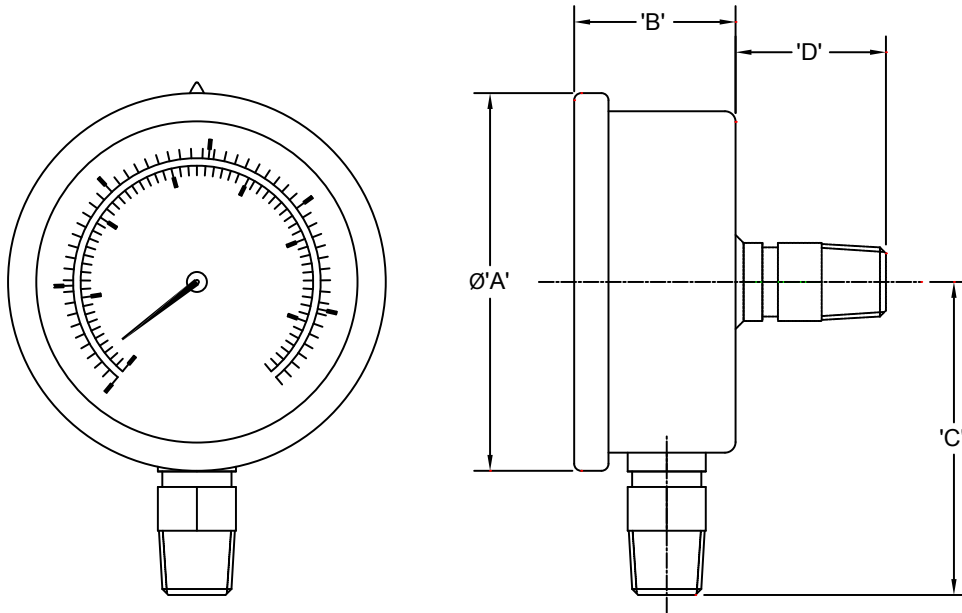
ORDERING GUIDE:

| BOTTOM MOUNT | | |
|----------------|--------------|--------------|
| Pressure Range | 2.5" Dial | 4" Dial |
| 30" 0-150 PSI | BR701D-254CC | BR701D-404CC |
| 30" 0-300 PSI | BR701D-254CF | BR701D-404CF |
| BACK MOUNT | | |
| Pressure Range | 2.5" Dial | 4" Dial |
| 30" 0-150 PSI | BR702D-254CC | BR702D-404CC |
| 30" 0-300 PSI | BR702D-254CF | BR702D-404CF |

DUAL PRESSURE & TEMPERATURE AMMONIA GAUGE

DIMENSIONAL DRAWING

All dimensions are in inches (mm)



**BR800
DUAL TEMP/PRESSURE
AMMONIA GAUGE**

| DIAL SIZE | 'A' | 'B' | 'C' | 'D' |
|-----------|-------|------|------|-------|
| Ø2.50 | 2.675 | 1.16 | 1.00 | 1.22 |
| Ø4.00 | 4.29 | 1.4 | 3.2 | 1.256 |

All specifications are for reference purposes only. In the interests of continuous product improvement, all specifications are subject to change without notice. Please contact Blue Ribbon Corporation for assistance with your application.



GAS PRESSURE TEST GAUGES

MODEL BRGT



Model BRGT

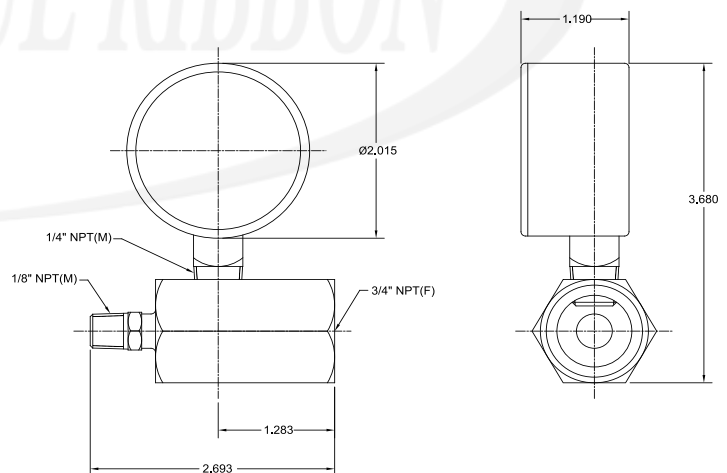
FEATURES:

The Model BRGT Series from Blue Ribbon Corporation is a combined utility gas pressure test gauge and valve body. Before gas is run into the system, it is charged with air. The gauge then indicates whether or not there is a leak present within the line. The valve body serves strictly as a bleed port. Series units support the reliable, cost-effective testing of gas line pressures within both commercial and residential applications.

SPECIFICATIONS:

- Dial Size: 2"
- Measurement Range: 0-15 to 0-100 PSI (1/10# increments - only for 0-15)
- Connection: 3/4" FPT
- Accuracy: 3-2-3%

| PART NO. | RANGE |
|----------|-------|
| BRGT-15 | 0-15 |
| BRGT-30 | 0-30 |
| BRGT-60 | 0-60 |
| BRGT-100 | 0-100 |



FRONT

SIDE

BRGT15
2" GAS TEST GAUGE
3/4" NPT(F)





BOILER GAUGE / TRIDICATOR



Model BRPT
Boiler Gauge / Tridicator

MODEL BRPT

FEATURES:

- 2½" and 3" Dial Sizes
- Bottom and Back Connect
- Acrylic Lens & Ring
- Brass Tube & Socket
- Aluminum Pointer

SPECIFICATIONS:

- Temperature Range: 30-250 °F/C
- Pressure Range: 0-75 PSI
- Accuracy:
 - Pressure: 3-2-3%
 - Temperature: 3%

PRODUCT OVERVIEW:

The Model BRPT from Blue Ribbon Corporation is a family of high-accuracy tridicators. A tridicator is a dual purpose instrument that reads both temperature and pressure levels on the same dial face using an independent pointer and scale. This instrument, also known as a "Boiler Gauge", is used primarily on heating systems and boilers.

FIELD OPTIONS:

- Connection Sizes:
 - 2.5" Dial: ¼" NPT
 - 3" Dial: ½" NPT

| TRIDICATORS | RANGE | PART # |
|--|----------------------|---------|
| 2.5" Dial Tridicators (¼" NPT Back 0-75 PSI) | 0-75 PSI 30-250F/C | BRPT-00 |
| 2.5" Dial Tridicators (¼" NPT Back 0-75 PSI) | 0-75 PSI 30/250F/C | BRPT-01 |
| 3" Dial Tridicators (½" NPT Back) | 0-75 PSI 30-350F/C | BRPT-02 |
| 3" Dial Tridicators (½" NPT Bottom) | 0-75 PSI 30-250F/C | BRPT-03 |
| 2.5" Dial Tridicator (¼" NPT Back) | 0-75 PSI 30-250 F/C | BRPT-04 |
| 3" Dial Tridicators (½" NPT Bottom) | 0-200 PSI 30-250F/C | BRPT-05 |
| 3" Dial Tridicators (½" NPT Back) | 0-200 PSI 30-250F/C | BRPT-07 |
| 3" Dial Tridicators (½" NPT Back) | 0-100 PSI 30-250F/C | BRPT-08 |
| 3" Dial Tridicators (½" NPT Back 0-250) | 0-250 PSI 30-250 F/C | BRPT-98 |
| 3" Dial Tridicators (½" NPT Bottom 0-250) | 0-250 PSI 30-250F/C | BRPT-99 |





WATER PRESSURE TEST GAUGES

MODEL BRWT

FEATURES:

The Model BRWT300 water pressure test gauge from Blue Ribbon Corporation is a 2" dial utility gauge. The gauge adapts directly to a water tap to accurately and cost-effectively measure line and system pressures. The 3/4" Female hose swivel fits all standard hose connections.



Model BRWT300

SPECIFICATIONS:

- Dial Size: 2"
- Range: 0-300 PSI
- Connection: 3/4" FHT Brass Swivel
- Accuracy: 3-2-3%
- Max Pointer Available

| PART NO. | RANGE |
|----------|-----------|
| BRWT-300 | 0-300 PSI |



DIGITAL PRESSURE GAUGE

MODEL BR DG-11



Model BR DG-11
Digital Pressure Gauge

FEATURES:

- Simple two-button operation
- Zero reset button
- Auto restore for last pressure reading
- Back-lit LCD display
- Overload display function
- Vacuum, compound and absolute ranges
- 2x proof pressure, 5x burst pressure

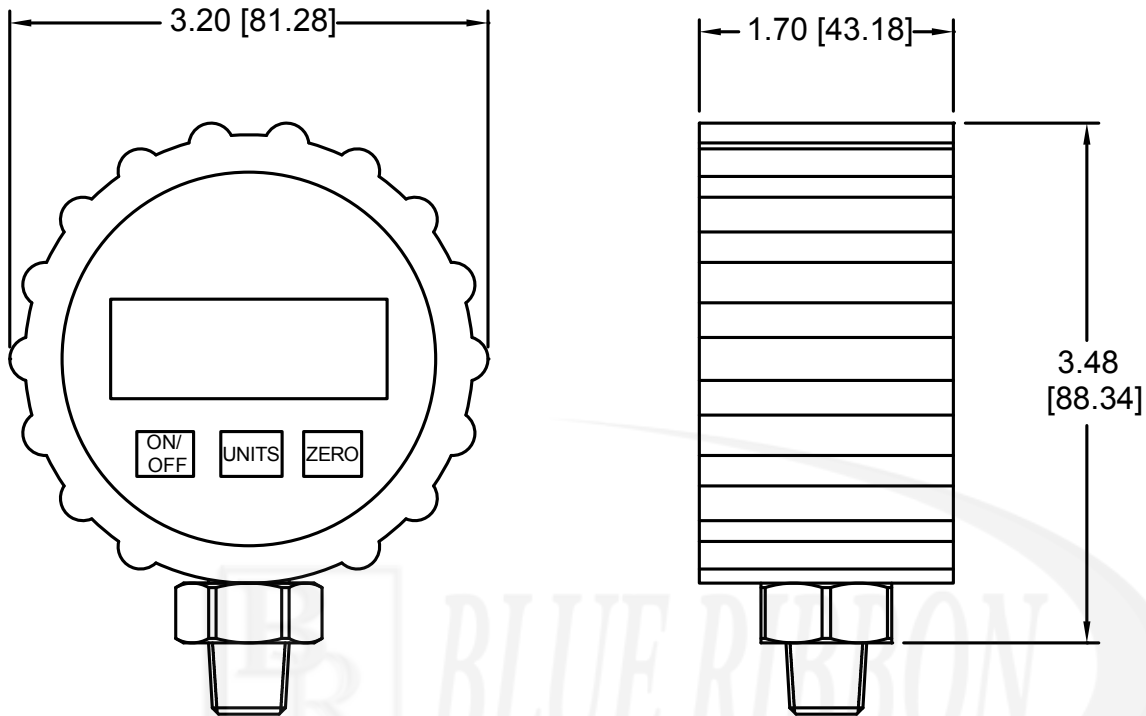
SPECIFICATIONS:

- 3" Dial (3.2" with rubber boot)
- 1.85" x 0.65" backlit LCD Display
- **Unit display:** PSI, BAR, Kg/cm²
(Calibration record provided in Pa, KPa, MPa)
- 1/4" NPT pressure port, SAE4, 1/8" NPT, optional 1/4" BSP
- Valox™ 420 case material, 17-4 PH stainless steel standard pressure port (alternate materials available)
- **Approximate weight:** 8 oz
- Optional USB, RS-485, RS-242 outputs
- Optional NIST traceable calibration
- **Accuracy:** ±0.5% FSO standard, includes linearity, hysteresis, and repeatability, 0.25% FSO and ±0.1% FSO optional
- **Thermal error:** 0.0001% FSO/ °F
- **Calibrated temperature range:** +35 °F to +130 °F
- **Operating temperature:** +15 °F to +140 °F
- **Storage temperature:** -5 °F to +160 °F
- **Power source:** 9V battery
- Automatic power off (5 minutes with LOW BATT indicator)
- Optional protective rubber boot
- NEMA 4/IP65 enclosure
- Optional oxygen cleaning

DIGITAL PRESSURE GAUGE

DIMENSIONAL DRAWING

All dimensions are in inches (mm)



| STANDARD RANGES (additional ranges upon request) | | |
|---|-----------------|-----------------|
| -15 to 30 PSI | -15 to 50 PSI | -15 to 100 PSI |
| 0 to 500 PSI | 0 to 750 PSI | 0 to 1000 PSI |
| 0 to 2500 PSI | 0 to 5000 PSI | 0 to 7500 PSI |
| 0 to 10,000 PSI | 0 to 20,000 PSI | 0 to 40,000 PSI |

All specifications are for reference purposes only. In the interests of continuous product improvement, all specifications are subject to change without notice. Please contact Blue Ribbon Corporation for assistance with your application.



BACK CONNECTED ALL STAINLESS GAUGES

MODEL BR302L



Model BR302L

FEATURES:

The '300' series gauge line from Blue Ribbon Corporation is a high quality line of all stainless steel gauges. Hermetically sealing the gauge prevents dust, dirt or other contaminants from entering the case of the gauge and attacking the movement or internals of the gauge. Keeping out such contaminants prolongs the life of the gauge.

This gauge is typically used in chemical processing or food processing applications as well as any commercial or industrial application where stainless steel components are necessary.

SPECIFICATIONS:

- Stainless Steel Case and Bezel
- Stainless Steel Internals and Connection
- IP65 Enclosure
- Lens: Safety glass
- 316 Stainless Steel Bourdon Tube
- Liquid Filled (Dry Available)
- Accuracy
 - 1½", 2", 2½" Dials: 1.6%
 - 4" Dial: 1%
- Dual Scale: PSI & BAR (x100=kPa)
- Single Scale Available
- Ambient Temperature
 - Filled: +30 °F to +160 °F
 - Dry: -30 °F to +180 °F

FIELD OPTIONS:

- Dial Sizes
 - 1½", 2", 2½", 4"
- Connection Sizes
 - ⅛" (M) NPT on 1½" and 2"
 - ¼" (M) NPT on 2", 2½" and 4"
- Dry version

| RANGE | CODE | MAJOR INC. | MINOR INC. |
|-----------|------|------------|------------|
| 30/0" VAC | A | 5 | 0.5 |
| 30/0/15 | CB | 5 | 0.5 |
| 30/0/30 | CC | 10 | 1 |
| 30/0/60 | CD | 10 | 1 |
| 30/0/100 | CE | 20 | 2 |
| 30/0/150 | CF | 20 | 2 |
| 30/0/300 | CH | 50 | 10 |
| 0/15 | B | 2 | 0.2 |
| 0/30 | C | 5 | 0.5 |
| 0/60 | D | 10 | 1 |
| 0/100 | E | 20 | 2 |
| 0/160 | F | 20 | 2 |
| 0/200 | G | 40 | 4 |
| 0/300 | H | 50 | 5 |
| 0/400 | I | 50 | 5 |
| 0/500 | J | 100 | 10 |
| 0/600 | K | 100 | 10 |
| 0/800 | L | 100 | 10 |
| 0/1000 | M | 200 | 20 |
| 0/1500 | N | 200 | 20 |
| 0/2000 | O | 400 | 50 |
| 0/3000 | P | 500 | 50 |
| 0/4000 | Q | 500 | 50 |
| 0/5000 | R | 1000 | 100 |
| 0/6000 | S | 2000 | 200 |
| 0/10,000 | U | 2000 | 200 |
| 0/15,000 | V | 2000 | 200 |





HIGH STATIC PRESSURE DIFFERENTIAL GAUGES

MODEL BRHSD

FEATURES:

The Model BRHSD Series of high static differential pressure gauges from Blue Ribbon Corporation offer low differential pressure measurement capabilities.



Model BRHSD

SPECIFICATIONS:

- Dial Sizes: 2½" and 4"
- Case: Steel or Flanged
- Safety Glass Lens
- Line Connection Locations:
In Line (Standard); Back and Bottom on Request.
- Connections: ¼", ½", 3/8" NPT, BSP, BSPT
- Wetted Parts:
PTFE, Stainless Steel, Ceramic Magnet
- Body Materials:
316 Stainless Steel, Aluminum, Brass, Monel
- Internals Movement:
Magnetic Coupling, Using Piston & Spring
- Pointer: Magnetic
- Seal: Buna-N Standard, Viton
- Ranges: 5 to 150 PSI
- Accuracy: 2% FS
- Maximum Pressure:
Aluminum, 3000 PSI; 316 Stainless Steel, 6000 PSI
- Maximum Temperature: +175 °F (+80 °C)





BACK CONNECTED UTILITY GAUGES

MODEL BR102D



Model BR102D

FEATURES:

- An inexpensive utility gauge for the broad commercial market
- Suitable for air, water, oil, gas or any other media not corrosive to brass
- Other connection locations, mounting styles and accessories available (see field options)
- Immediate shipment upon request

SPECIFICATIONS:

- Black Steel Case
- Brass Socket and Movement
- Phosphor Bronze Bourdon Tube
- Dry, Non-Fillable
- Accuracy: 3-2-3%
- Ambient Temperature: -50 °F to +160 °F
- Dual Scale: PSI & BAR (x100=kPa)
- IP52 Enclosure
- Overpressure: 25% FSO
- Working pressure: 75% FSO

FIELD OPTIONS:

- Dial Sizes: 1½", 2", 2½", 4"
- Connection Sizes
 - ⅛" (M) NPT on 1½" and 2"
 - ¼" (M) NPT on 2" thru 4"
- U-clamp Mount (BR103D)
- Front Flange Mount (BR104D)
- Plastic Case

| RANGE | CODE | MAJOR INC. | MINOR INC. |
|-----------|------|-----------------|-------------------|
| 30/0" VAC | A | 5" hg | 0.5" hg |
| 30/0/15 | CB | 10" hg / 5 psi | 0.5" hg / 0.5 psi |
| 30/0/30 | CC | 10" hg / 10 psi | 1" hg / 1 psi |
| 30/0/60 | CD | 10" hg / 10 psi | 2" hg / 1 psi |
| 30/0/100 | CE | 30" hg / 20 psi | 5" hg / 2 psi |
| 30/0/150 | CF | 30" hg / 20 psi | 5" hg / 2 psi |
| 30/0/300 | CH | 30" hg / 50 psi | 10" hg / 5 psi |
| 0/15 | B | 2 PSI | 0.2 PSI |
| 0/30 | C | 5 PSI | 0.5 PSI |
| 0/60 | D | 10 PSI | 1 PSI |
| 0/100 | E | 20 PSI | 2 PSI |
| 0/160 | F | 20 PSI | 2 PSI |
| 0/200 | G | 40 PSI | 5 PSI |
| 0/300 | H | 50 PSI | 5 PSI |
| 0/400 | I | 50 PSI | 5 PSI |
| 0/600 | K | 100 PSI | 10 PSI |
| 0/1000 | M | 200 PSI | 20 PSI |
| 0/1500 | N | 200 PSI | 20 PSI |
| 0/2000 | O | 400 PSI | 50 PSI |
| 0/3000 | P | 500 PSI | 50 PSI |
| 0/5000 | R | 1000 PSI | 100 PSI |
| 0/6000 | S | 1000 PSI | 100 PSI |
| 0/10,000 | U | 2000 PSI | 200 PSI |





MUD GAUGE DIAPHRAGM TYPE

BRMG SERIES



BRMG Series
Mud Gauge Diaphragm Type

FEATURES:

- Pressure range from 5K PSI to 15K PSI (345 to 1,034 BAR)
- Socket and case welded for high vibration and corrosive service
- Fixed pointer and movable dial
- 4" glycerin filled dial
- Weather proof/anti-corrosive gun metal casting
- Easy-to-read analog display

APPLICATIONS:

- Mud pump pressure
- Stand pipe pressure
- Oil and gas well head pressures

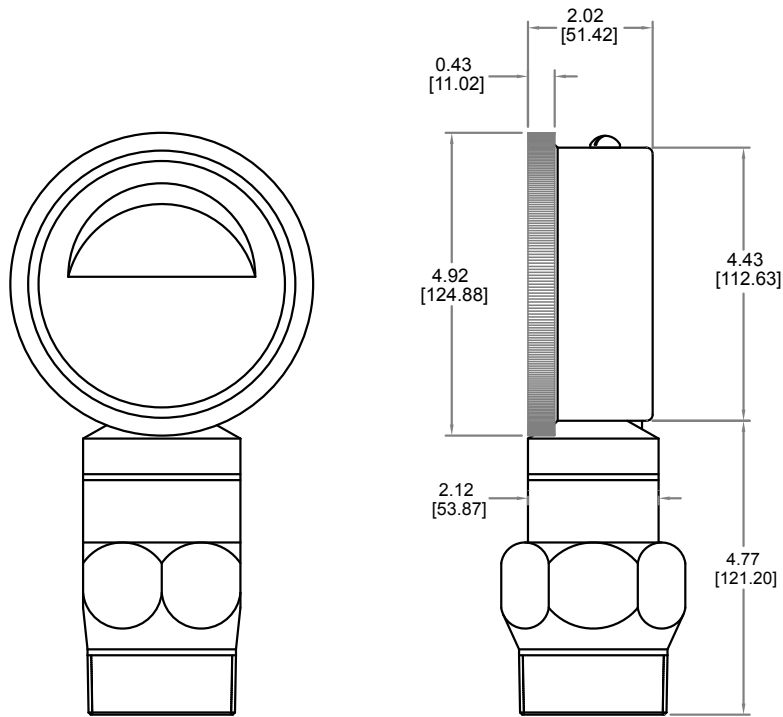
SPECIFICATIONS:

- Bourdon tube: 316 stainless steel
- Movement: 304 stainless steel
- Diaphragm: 316L stainless steel
- Casing: Anti-corrosion treated carbon steel
- Process connection: Bottom mount 2" NPT
- Static accuracy: 2.5% FSO
- Pressure ranges: 0 to 10K PSI thru 0 to 15K PSI (690 thru 1,034 BAR)
- Dial: 4" Glycerin filled plexiglass
- Neoprene rubber pad for mud protection

MUD GAUGE DIAPHRAGM TYPE

DIMENSIONAL DRAWING

All dimensions are in inches (mm)



All specifications are for reference purposes only. In the interests of continuous product improvement, all specifications are subject to change without notice. Please contact Blue Ribbon Corporation for assistance with your application.



BLUE RIBBON CORP.

PISTON TYPE PRESSURE SNUBBER

While each model is built to exacting specifications with tolerances to ten-thousandths of an inch, the unit-to-unit uniformity and easy piston changing makes installing a piston type Snubber into your system a smart choice.

| MODEL 010 | | | | | | |
|-----------|--------------|---------|---------------|---------|------|------|
| MODEL NO. | CONNECTIONS. | | BODY MTRL | MAX PSI | LN. | HEX |
| | INLET | OUTLET | | | | |
| 010B | 1/4 NPT | 1/4 NPT | BRASS | 3000 | 3.46 | .750 |
| 010S | | | 303 STAINLESS | 5000 | | |
| 010SS | | | 316 STAINLESS | 5000 | | |

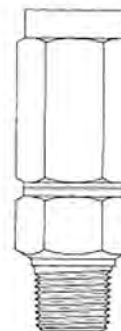
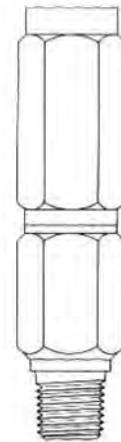
Available in British Taper Pipe Threads. Add BSP to part number when ordering.

| MODEL 050 | | | | | | |
|-----------|--------------|---------|-----------|---------|------|-------|
| MODEL NO. | CONNECTIONS. | | BODY MTRL | MAX PSI | LN. | HEX |
| | INLET | OUTLET | | | | |
| 050B | 3/8 NPT | 3/8 NPT | BRASS | 5000 | 3.61 | 1.125 |

Available in British Taper Pipe Threads. Add BSP to part number when ordering.

| MODEL 060 | | | | | | |
|-----------|--------------|---------|---------------|---------|------|-------|
| MODEL NO. | CONNECTIONS. | | BODY MTRL | MAX PSI | LN. | HEX |
| | INLET | OUTLET | | | | |
| 060B | 1/2 NPT | 1/2 NPT | BRASS | 5000 | 3.61 | 1.125 |
| 060S | | | 303 STAINLESS | 10000 | | |
| 060SS | | | 316 STAINLESS | 10000 | | |

Available in British Taper Pipe Threads. Add BSP to part number when ordering.



Blue Ribbon reserves the right to make product improvements and amendments to the product specifications stated throughout this brochure without prior notification. Please contact the factory on all critical dimensions and specifications for verification.

A5BR-010.00

VALVES



A14

1/4" (F) NPT X 1/4" (F) NPT
 Brass Body Rating:
 700 PSI at +250 °F

| | A | B |
|-----|------|------|
| In. | 1.60 | 1.30 |
| MM | 40 | 33 |



A15

1/4" (F) NPT X 1/4" (M) NPT
 Brass Body Rating:
 700 PSI at +250 °F

| | A | B |
|-----|------|------|
| In. | 1.60 | 1.35 |
| MM | 40 | 34 |

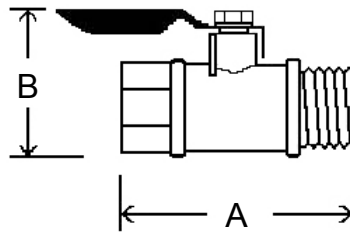


NV--B--1/4

Needle Valve
 1/4" (F) NPT X 1/4" (F) NPT
 Brass Body Rated at 5000 PSI

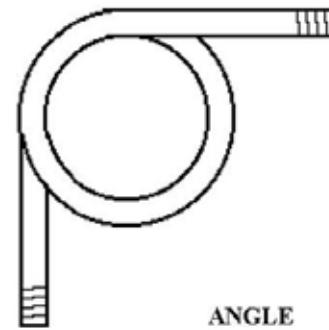
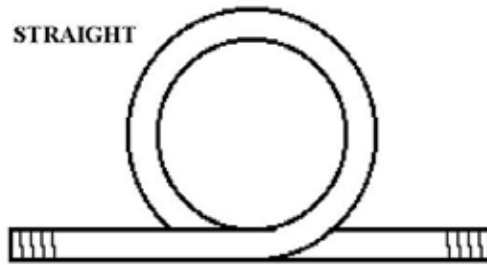
| | A | B |
|-----|------|------|
| In. | 1.62 | 1.94 |
| MM | 41 | 49 |

Dimensional Reference:





SIPHON (PIGTAIL)



Pigtail Siphons from Blue Ribbon Corporation are typically used to act as a cooling or warming leg for applications where the process temperature may be higher or lower than the "normal" working temperature range, as specified by NIST B40.1, in relation to the instrumentation. Temperature extremes can lead to measurement inaccuracy, or otherwise shorten the life span of instrumentation that is not specifically designed for severe duty applications.

| PART # | DESCRIPTION | PRESSURE | TEMP |
|--------|---|----------|----------|
| A03B | ¼" NPT Brass Pigtail | 250 PSI | +400 °F |
| A031 | ¼" NPT Iron Pigtail, Schedule 40 Iron | 500 PSI | +400 °F |
| CPS4 | ¼" NPT Steel Pigtail, Schedule 80 Steel | 1000 PSI | +850 °F |
| CPS2 | ½" NPT Steel Pigtail | 1000 PSI | +850 °F |
| CPSS4 | ¼" NPT Stainless Steel Pigtail | 2000 PSI | +1000 °F |
| CPSS2 | ¼" NPT Stainless Steel Pigtail | 2000 PSI | +1000 °F |



PRESSURE SNUBBER WITH CHOKE VALVE



Pressure Snubber with Choke Valve

FEATURES:

- Adjustable pressure pulsation dampener protects pressure gauges against pressure perturbation, surges, and fluid hampers
- Isolates gauge for service or replacement

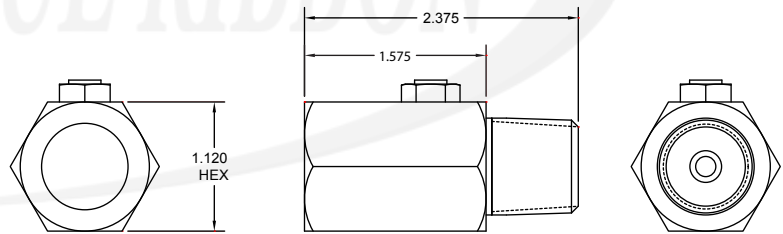
APPLICATIONS:

- Pulsation
- Heavy duty process
- Industrial

PRESSURE RANGES:

- 3,000 to 10,000 PSI

SPECIFICATIONS:



STAINLESS STEEL SNUBBER

| PART # | THREAD | "B" | "C" | "D" HEX | MAXIMUM PRESSURE |
|--------|---------|---------------|---------------|---------------|------------------|
| MSB4 | ¼-⅛ NPT | 0.51" (13 mm) | 1.77" (45 mm) | 0.67" (17 mm) | 3,000 PSI |
| MSS4 | ¼-⅛ NPT | 0.51" (13 mm) | 1.77" (45 mm) | 0.67" (17 mm) | 5,000 PSI |
| MSB6 | ⅜-⅛ NPT | 0.59" (16 mm) | 2.36" (60 mm) | 1.18" (30 mm) | 5,000 PSI |
| MSS6 | ⅜-⅛ NPT | 0.59" (16 mm) | 2.36" (60 mm) | 1.18" (30 mm) | 10,000 PSI |
| MSB8 | ½-¼ NPT | 0.79" (20 mm) | 2.36" (60 mm) | 1.18" (30 mm) | 5,000 PSI |
| MSS8 | ½-¼ NPT | 0.79" (20 mm) | 2.36" (60 mm) | 1.18" (30 mm) | 10,000 PSI |



MODEL 'FTS' FILTER TYPE SNUBBER



Model 'FTS' Filter Type Snubber

FEATURES:

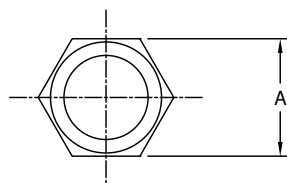
Pressure Oscillations and other sudden pressure changes can affect the delicate mechanisms of a pressure gauge or pressure transmitter. This can result in either complete failure of the instrument or false and inaccurate readings. Pressure snubbers are designed to reduce or prevent these oscillations and fluctuations from reaching and affecting pressure instruments.

Pressure snubbers stop pressure spikes only; a pressure snubber will not stop any overpressure. Spikes last for milliseconds only, over pressures lasting longer than that can damage the pressure sensor.

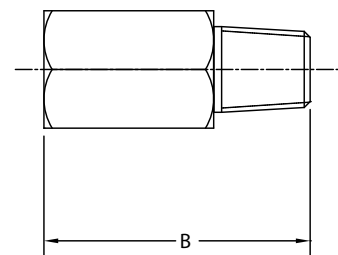
The Pressure snubbers below are the "filter" type using a porous filter media made of sintered metal. Because the filter element is a fine mesh type, it should be used on processes that do not contain anything that would clog the media. In the event that the snubber does get clogged with dirt or particulate from the process, our snubbers can be disassembled for cleaning if necessary.

SPECIFICATIONS:

- **Connection Sizes:** 1/4" or 1/2" NPT
- **Stainless steel or brass**
- **Water, air, oil or gas**
- **No moving parts - nothing to break or wear out**
- **Pressure rating:**
 - Brass: 3,000 PSI
 - Stainless Steel: 10,000 PSI



FRONT



SIDE



MODEL 'FTS' FILTER TYPE SNUBBER



Model 'FTS' Filter Type Snubber

FEATURES:

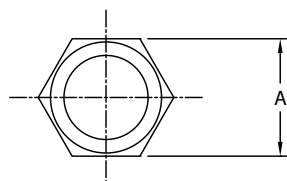
Pressure Oscillations and other sudden pressure changes can affect the delicate mechanisms of a pressure gauge or pressure transmitter. This can result in either complete failure of the instrument or false and inaccurate readings. Pressure snubbers are designed to reduce or prevent these oscillations and fluctuations from reaching and affecting pressure instruments.

Pressure snubbers stop pressure spikes only; a pressure snubber will not stop any overpressure. Spikes last for milliseconds only, over pressures lasting longer than that can damage the pressure sensor.

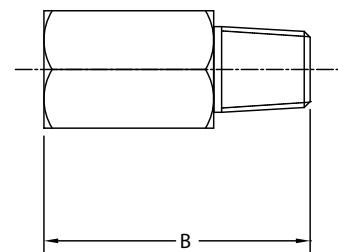
The Pressure snubbers below are the "filter" type using a porous filter media made of sintered metal. Because the filter element is a fine mesh type, it should be used on processes that do not contain anything that would clog the media. In the event that the snubber does get clogged with dirt or particulate from the process, our snubbers can be disassembled for cleaning if necessary.

SPECIFICATIONS:

- **Connection Sizes:** 1/4" or 1/2" NPT
- **Stainless steel or brass**
- **Water, air, oil or gas**
- **No moving parts - nothing to break or wear out**
- **Pressure rating:**
 - Brass: 3,000 PSI
 - Stainless Steel: 10,000 PSI



FRONT



SIDE



INSTRUMENTATION NEEDLE VALVES

High-quality instrumentation grade needle valves from Blue Ribbon Corporation are designed for heavy-duty process control or other industrial applications that require high-pressure carbon steel or stainless steel shut-off valves. Our

valves are available hard seat (10,000 PSI) or soft seat (6,000 PSI), 1/4" or 1/2" NPT, straight or angle pattern, male x male, female x female or male x female configurations to suit a variety of requirements.

| NVS Super Mini | | | NV (1/4" NPT) Mini | | | NV (1/2" NPT) & NVL (1/4" NPT) Full Size | | | HV Hex Body | | | GV Multi-Port | | |
|----------------|------|----|--------------------|------|----|--|------|----|-------------|------|----|---------------|------|-----|
| | | | | | | | | | | | | | | |
| | | | | | | | | | | | | | | |
| | In. | mm | | In. | mm | | In. | mm | | In. | mm | | In. | mm |
| A | 1.02 | 26 | A | 1.81 | 46 | A | 2.67 | 68 | A | 3.65 | 93 | A | 3.68 | 93 |
| B | 0.32 | 8 | B | 0.50 | 13 | B | 2.64 | 67 | B | 3.23 | 82 | B | 4.46 | 113 |
| C1 | 0.40 | 10 | C | 0.17 | 4 | C | 1.12 | 29 | C | 1.26 | 32 | C | 1.26 | 32 |
| C2 | 0.20 | 6 | D | 0.44 | 11 | D | 0.73 | 19 | D | 1.65 | 42 | D | 1.61 | 41 |
| D | 0.46 | 12 | E | 0.34 | 9 | E | 2.25 | 57 | E | 0.75 | 19 | E | 0.82 | 21 |
| E | 0.75 | 19 | F | 0.75 | 19 | | | | F | 2.25 | 57 | F | 2.25 | 57 |
| F | 0.52 | 13 | G | 0.61 | 15 | | | | | | | | | |
| G | 1.31 | 33 | H | 1.04 | 26 | | | | | | | | | |

Part Number System:

| | |
|---|--|
| <p>Valve Designation</p> <p>NVS = "Super Mini" Style NV = Standard Size NVL = Full Size Body 1/4" NPT HV = Hex Body Valve GV = Multi-Port Gauge Valve</p> <p>Body Material</p> <p>CS = Carbon Steel SS = 316 Stainless Steel</p> <p>Connection Size</p> <p>1/4 = 1/4" NPT 3/8 = 3/8" NPT 1/2 = 1/2" NPT</p> | <p>Outlet Connection</p> <p>F = Female M = Male</p> <p>Inlet Connection</p> <p>F = Female M = Male</p> <p>Body Pattern</p> <p>180 = Straight Pattern 90 = Angle Pattern</p> <p>Seat / Pressure Rating</p> <p>GS = Gas Service / 6000 PSI HS = Hydraulic Service / 1000 PSI</p> |
|---|--|





TEST PORT PLUGS

PIPING SYSTEM TEST PLUGS

FEATURES:

Piping System Test Plugs from Blue Ribbon Corporation are designed for permanent installation into piping systems for quick access during maintenance checks. They are designed to be used with gauge adapters for pressure tests or pocket thermometer insertion without shutting down or draining the system. Models are available with the Nordel or Neoprene Cores, Brass or Stainless Steel bodies, in sizes ranging from 1/8" NPT through 1/2" NPT. Cap and chain included.



Test Port Plugs

| MODEL # | NOMINAL SIZE (IN) | OAL (IN) | MATERIAL | PRESSURE/TEMPERATURE | LOWER CONNECTION (IN) | BODY HEX (IN) | CAP HEX (IN) | CORE MATERIAL |
|--------------|-------------------|----------|----------|----------------------|-----------------------|---------------|--------------|---------------|
| BLU-18TP | 1/8 NPT | 1-3/4 | Brass | 200 °F/1000 PSI | 1/8 NPT | 13/16 | 9/16 | Nordel |
| BLU-14TP | 1/4 NPT | 1-1/2 | Brass | 200 °F/1000 PSI | 1/4 NPT | 1-1/16 | 1-1/2 | Nordel |
| BLU-38TP | 3/8 NPT | 1-1/2 | Brass | 200 °F/1000 PSI | 3/8 NPT | 1-1/16 | 1-1/2 | Nordel |
| BLU-12TP | 1/2 NPT | 1-1/2 | Brass | 200 °F/1000 PSI | 1/2 NPT | 1-1/16 | 1-1/2 | Nordel |
| BLU-SST-25TP | 1/4 NPT | 1-1/2 | SS 304 | 200 °F/1000 PSI | 1/4 NPT | 1-1/16 | 1-1/2 | Nordel |
| BLU-12TPXL | 1/2 NPT | 3" | Brass | 200 °F/1000 PSI | 1/2 NPT | | | Nordel |
| BLU-14TPXL | 1/4 NPT | 3" | Brass | 200 °F/1000 PSI | 1/4 NPT | | | Nordel |