



Self Adjusting "Smart" Radar 2 Wire Measurement Sensors



Order from: **C A Briggs Company**; 622 Mary Street; Suite 101 - Warminster, PA 18974
Phone: 267-673-8117 - 800-352-6265 - Fax: 267-673-8118; E-Mail: Sales@cabriggs.com - www.cabriggs.com

FEATURES

2 Wire Operation
Self Adjusting Tracking Radar
Simple push-button calibration
Output 4 - 20 mA / 20 - 4mA
Communication with "HART 7"

APPLICATIONS

Water / Wastewater
Chemicals with vapors

MECHANICAL

Conduit Entry : 1/2" NPT x 2
Enclosure : Aluminum or S.S. - 94V0
Ingress Protection : NEMA 6 (IP68)

ENVIRONMENTAL

Temperature : - 40 to 140°F (- 40 to 60°C)
Approvals : FCC Part 15 - Low Power
Communication Device

FM(USA)

FM3810 (2005) Electrical Electronic Test, Measuring and
Process Control Equipment

ANSI/NEMA 250 (1991) :Enclosures for Electrical Equipment

FM(CAN.):

CSA C22.2 No. 1010.1 (2004) Safety Requirements for Electrical
Equipment for Measurement, Control and Laboratory Use
- Part 1: General Requirements

CSA C22.2 No. 94 (2011) Special Purpose Enclosures

Installation Category: Class II

TECHNICAL SPECIFICATIONS

Radar Range Code	RANGE In Liquids	RESOLUTION	MOUNTING
017	* - 17 ft. * - 5 m	0.08" 2.0 mm	2.0", 1 1/2" NPT **
033	* - 33 ft. * - 10 m	0.15" 3.9 mm	2.0", 1 1/2" NPT **
050	* - 50 ft. * - 15 m	0.22" 5.7 mm	2.0", 1 1/2" NPT **
100	* - 100 ft. * - 30 m	0.44" 11 mm	2.0", 1 1/2" NPT **
140	* - 140 ft. * - 42 m	0.62" 15.7 mm	2.0", 1 1/2" NPT **
240	* - 240 ft. * - 73 m	1.06" 26 mm	2.0", 1 1/2" NPT **

Note - * Minimum Range starts at the lower tip of the antenna for high dielectric material (water). For low dielectric materials allow longer Minimum Range.

Note -**Only 2" and 3"NPT Mtg. Connection Available on High Temperature Radar.

OPTIONAL

Antenna Extension : 6" or 8" Lengths.

- Use only with Teflon Rod Antenna !

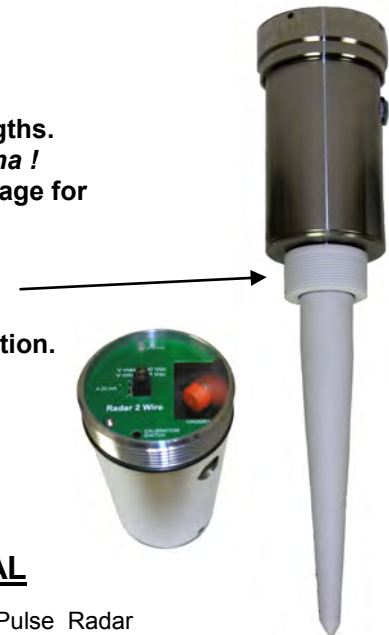
Refer to catalogue numbering Page for ordering info.

High Temperature Unit :

- Teflon De-coupler threads on to

1 1/2" NPT Mtg. Adaptor with a

2" NPT Mtg. Process Connection.



OPERATIONAL

Operation : Pulse Radar

Accuracy : +/- 0.1% of max. range (in lab using
4-20mA current output)

: +/-0.25% of max. range (typically in field)

Frequency : 5.8 GHz or 6.3 GHz.

Loss of Echo : 0 min. no loss of echo

: 1 min. to 3 min. loss of echo time

Loss of Echo

Current :Default 22mA , or 3.5 mA

Transmit Power : 50 uW average

Antenna : Dielectric rod PP, & Optional rod PTFE
Horn 316 S.S. for very low dielectric
constant materials and short blanking

PROCESS

Temperature PP Rod: - 40 to 176°F (- 40 to 80°C)

De-coupler & PTFE Rod - 40 to 350°F (- 40 to 177°C)

Material Dielectric : Er >2

Max. Pressure : 5 bar (without De-coupler)

Catalogue # - On the Web return to Home Page & Refer
to Catalogue Number Structure for Ordering information.
In Product Documentation refer to Page 4.

ELECTRICAL SPECIFICATIONS

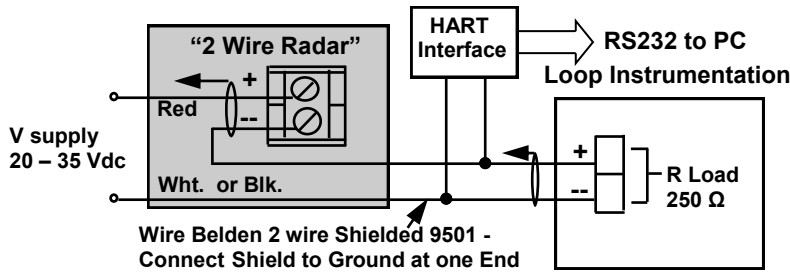
Power	
ABM200 DC	20 to 30 VDC , R load max. = (Vs - 14) / 25 mA
Output	4-20 mA Output 6.1 uA resolution Optional Communication with "HART 7"

2 Wire Radar Sensors User Instruction Manual

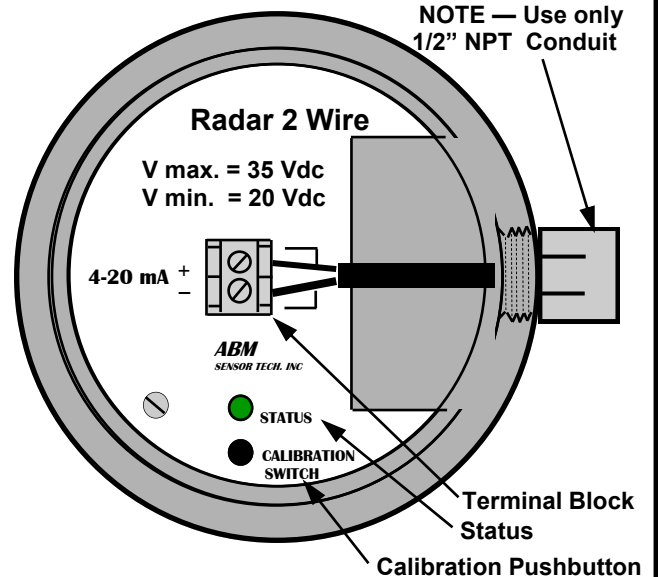


Order from: **C A Briggs Company**; 622 Mary Street; Suite 101 - Warminster, PA 18974
 Phone: 267-673-8117 - 800-352-6265 - Fax: 267-673-8118; E-Mail: Sales@cabriggs.com - www.cabriggs.com

Fig. # 1 - "2 Wire Sensor" Wiring Connection



Top View of Sensor (Access Cover Removed)



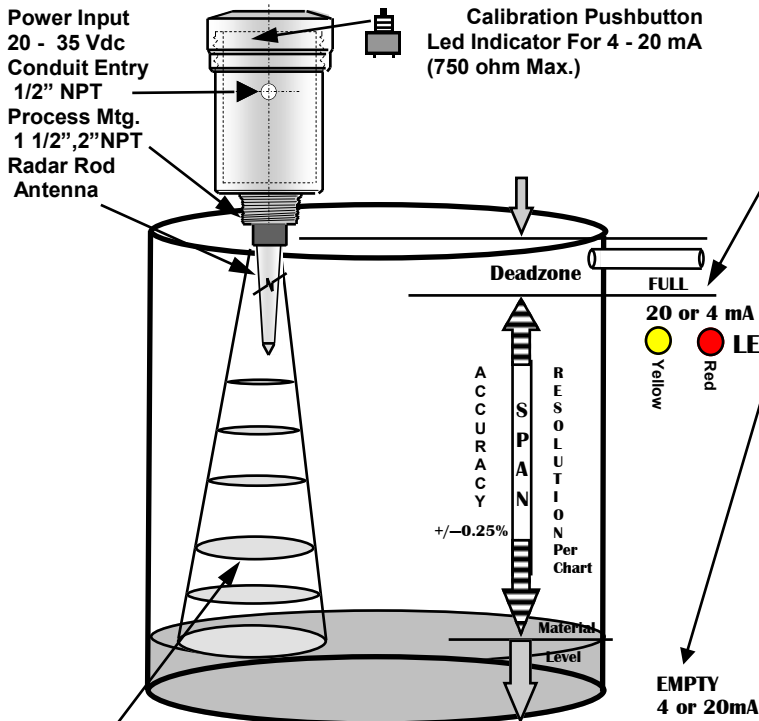
FCC INFORMATION TO RADAR USERS

NOTE: This equipment has been tested and found to comply with the limits for a Class A digital device, pursuant to Part 15 of the FCC Rules. These limits are designed to provide reasonable protection against harmful interference when the equipment is operated in a commercial environment. This equipment generates, uses, and can radiate radio frequency energy and, if not installed and used in accordance with the instruction manual, may cause harmful interference to radio communications. Operation of this equipment in a residential area is likely to cause harmful interference in which case the user will be required to correct the interference at his own expense.

WARNING- Changes or Modifications not expressly approved by **ABM Sensor Technology Inc.** could void the user's authority to operate the equipment.

Typical Installation

1) Radar unit must be installed into metal fitting with the antenna pointing downward.



Wiring Information

- Ground shield at one end only.
- All terminal block wiring must be rated for 250V.
- Terminal is for use only with equipment which has no live parts which are accessible .
- Terminal is for use with equipment which maintains basic insulation from hazardous voltage under normal and single fault conditions .
- Connection used at the remote end of external circuit .

Recommended Wiring

- 2 Wire shielded 24 AWG , 300 V

Calibration — 4 -20 or 20 - 4 mA Output

FULL — Calibrate 20 mA or 4mA (Set Near Target)

1. Calibration mode LED color is blinking Green. (for Radar Low Dielectric Materials has to be off)
2. Push button and hold until LED turns Yellow (20 mA) or push button and hold until LED turns Red (4 mA)
3. Release button at Yellow or Red and observe LED flashes to acknowledge the calibration.

EMPTY— Calibrate 4 mA or 20 mA (Set Far Target)

1. Calibration mode LED color is blinking Green (for Radar Low Dielectric Materials has to be off)
2. Push button and hold until LED turns Red (4 mA) or push button and hold until LED turns Yellow (20 mA)
3. Release button at Yellow or Red and observe LED flashes to acknowledge the calibration.

For Radar to turn the Low Dielectric Materials operation mode

ON and OFF (this mode is recommended for materials with dielectric constant lower than 4 and also to eliminate multiple reflections in tank.)

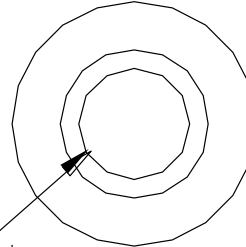
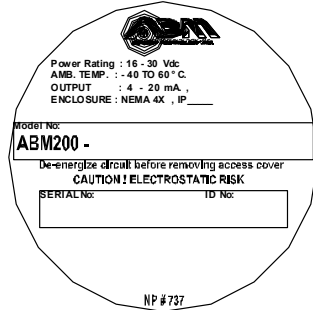
- 1) To turn the Low Dielectric Materials ON. Push button and hold until LED goes OFF after the sequence of Yellow , Red and turns OFF. The Low Dielectric Material operation is On when the LED'S Green light gives two short blinks.
- 2) To turn the Low Dielectric Materials OFF. Push button and hold until LED goes OFF after the sequence of Yellow , Red and Turns OFF. The Low Dielectric Material operation is OFF when LED is blinking Green.
- 3) Or use "Hart 7" communication software (Fig. #1).

Operation - electromagnetic pulse is transmitted from the ABM sensor . The pulse travels to the surface being monitored and is reflected off this surface back to the sensor . The time of flight is divided by 2 and converted to an output signal directly proportional to the material level .

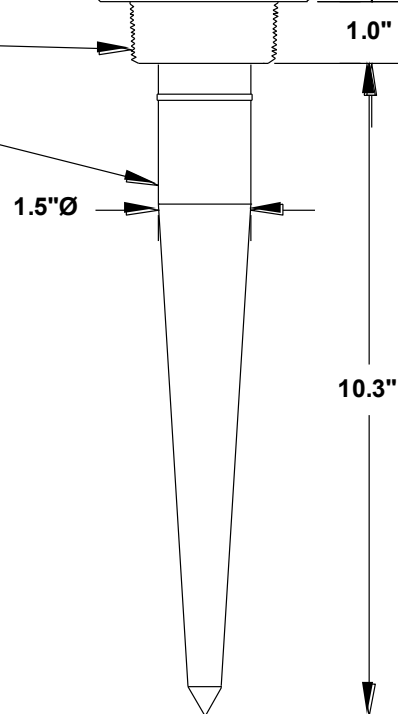
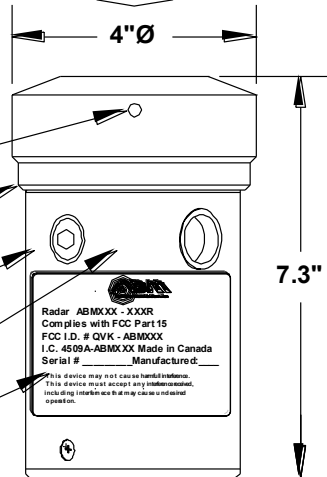
2 Wire Radar Level Measurement Sensors Outline Dtl.



Order from: **C A Briggs Company**; 622 Mary Street; Suite 101 - Warminster, PA 18974
 Phone: 267-673-8117 - 800-352-6265 - Fax: 267-673-8118; E-Mail: Sales@cabriggs.com - www.cabriggs.com



- Nameplate Recess
- Cover Tool Access Hole
- Thread on Wiring Access Cover (Aluminum or S.S.)
- Electronics Enclosure Aluminum or S.S. 3.5"Ø O.D.
- 1/2" NPT Conduit Entry
- FCC Approval Nameplate
- Mounting Thread 1 1/2" or 2" NPT
- Antenna Polypropylene (Std.) Teflon (Optional)



2 Wire Radar Level Sensor Outline Detail